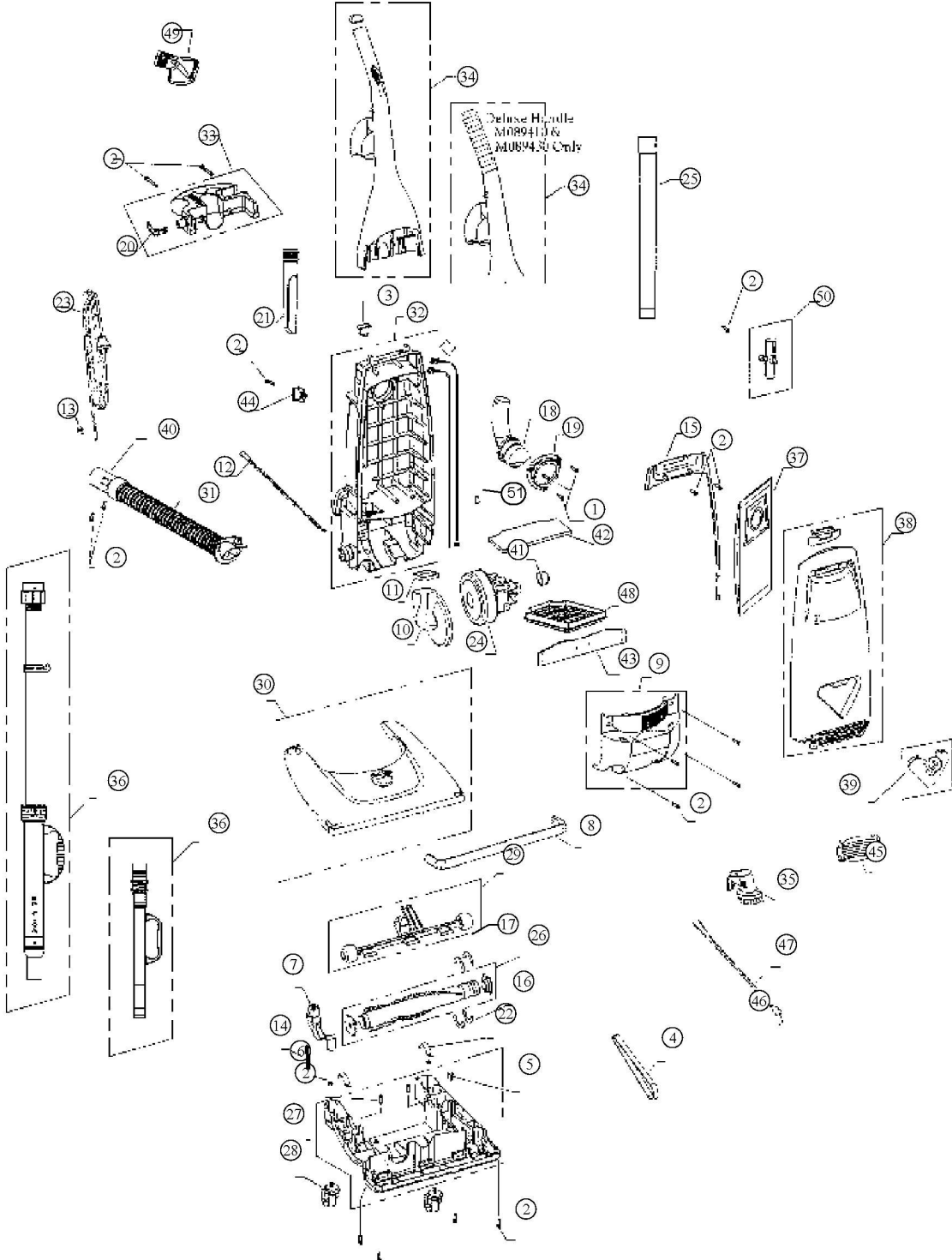
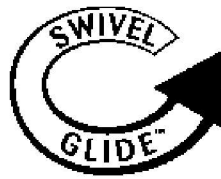


SG

Model No.  
086400  
086410  
086420  
086425RC  
086430  
086435



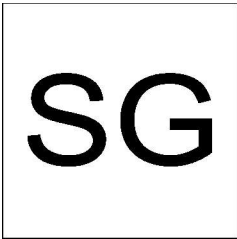
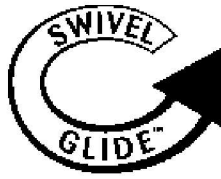


SG

Model No.

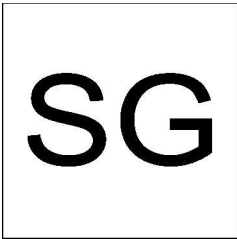
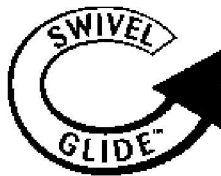
086400  
086410  
086420  
086425RC  
086430  
086435

Item	Part Number	Model's To Fit	Part Description
1	1250100000	086400, 086410, 086420 086425RC, 086430, 086435	SCREW
2	1720430000	086400, 086410, 086420 086425RC, 086430, 086435	SCREW 8 11 x 5/8
3	1720128300	086400, 086410, 086420 086425RC, 086430, 086435	SWITCH
4	3720310001	086400, 086410, 086420 086425RC, 086430, 086435	STYLE 4/5 BELT / 2 PACK
5	1720380000	086400, 086410, 086420 086425RC, 086430, 086435	BELT GUIDE CLIP
6	1863054000	086400, 086410, 086420 086425RC, 086430, 086435	CASTER PAL NUT
7	1863060B00	086400, 086410, 086420 086425RC, 086430, 086435	HANDLE RELEASE PEDAL
8	1863080B00	086400, 086410, 086420 086425RC, 086430, 086435	BUMPER
9	2864095600	086400, 086410, 086420 086425RC, 086430, 086435	MOTOR COVER
10	1863109600	086400, 086410, 086420 086425RC, 086430, 086435	MOTOR DUCT
11	1863112600	086400, 086410, 086420 086425RC, 086430, 086435	MOTOR DUCT GASKET
12	1863168000	086400, 086410, 086420 086425RC, 086430, 086435	NEON INDICATOR
13	1863130600	086400, 086410, 086420 086425RC, 086430, 086435	STRAIN RELIEF
14	1690350000	086400, 086410, 086420 086425RC, 086430, 086435	HANDLE RELEASE PEDAL SPRING
15	1863295600	086400, 086410, 086420 086425RC, 086430, 086435	SWITCH COMPARTMENT COVER
16	1863307700	086400, 086410, 086420 086425RC, 086430, 086435	NOZZLE COVER FELT
17	1863308000	086400, 086410, 086420 086425RC, 086430, 086435	BELT COVER FELT
18	1863335600	086400, 086410, 086420 086425RC, 086430, 086435	HOSE INLET
19	1863337600	086400, 086410, 086420 086425RC, 086430, 086435	HOSE INLET RETAINER
20	1920015B00	086400, 086410, 086420 086425RC, 086430, 086435	CORD HOOK
21	1920035600	086400, 086410, 086420 086425RC, 086430, 086435	CREVICE TOOL



**Model No.**  
**086400**  
**086410**  
**086420**  
**086425RC**  
**086430**  
**086435**

Item	Part Number	Model's To Fit	Part Description
22	1920140000	086400, 086410, 086420 086425RC, 086430, 086435	PIVOT CLAMP
23	2997132600	086400, 086410, 086420 086425RC, 086430, 086435	POWERCORD 32 FT
24*	2630172000	086400, 086410, 086420 086425RC, 086430, 086435	MOTOR see note
25	2820480600	086400, 086410, 086420 086425RC	TELESCOPIC WAND
	2863360600	086430, 086435	TELESCOPIC WAND
26	2863005000	086400, 086410, 086420 086425RC, 086430, 086435	BRUSH ROLL ASSEMBLY
27	2863544600	086400, 086410, 086420 086425RC, 086430, 086435	NOZZLE BASE ASSEMBLY
28	2863038600	086400, 086410, 086420 086425RC, 086430, 086435	CASTER
29	2863040000	086400, 086410, 086420 086425RC, 086430, 086435	HEIGHT ADJUSTMENT ASSY
30	2863069300	086400, 086410, 086420	NOZZLE COVER ASSEMBLY EXTENDED
	2864252A00	086425RC	NOZZLE COVER ASSEMBLY
	2864369300	086430	NOZZLE COVER ASSEMBLY
	2864369L00	086435	NOZZLE COVER ASSEMBLY
31	2863087Q00	086400, 086410, 086420 086425RC, 086430, 086435	LOWER HOSE ASSEMBLY
32	2863591600	086400, 086410, 086420 086425RC, 086430, 086435	BACK PANEL ASSEMBLY
33	2863175600	086400, 086410, 086420 086425RC, 086430, 086435	TOOL CADDY ASSEMBLY
34	2864040600	086400, 086420, 086425RC, 086435	HANDLE ASSEMBLY
	2865040300	086410, 086430	DELUXE HANDLE ASSEMBLY
35	2863400600	086400, 086410, 086420 086425RC, 086430, 086435	CORNER TOOL ASSEMBLY
36	2864172600	086425RC, 086435	STRETCH HOSE ASSY w/ ANCHOR
	2864176300	086400, 086410, 086420, 086430	EXTENDAWAND HOSE ASSEMBLY
37	3920047001	086400, 086410, 086420 086425RC, 086430, 086435	TYPE U BAGS / 3 PACK



**Model No.**

**086400  
086410  
086420  
086425RC  
086430  
086435**

Item	Part Number	Model's To Fit	Part Description
38	9864050300	086400	FRONT PANEL ASSEMBLY
	9864052300	086410	FRONT PANEL ASSEMBLY
	9864205300	086420, 086430	FRONT PANEL ASSEMBLY
	9864251A00	086425RC	FRONT PANEL ASSEMBLY
	9863151L00	086435	FRONT PANEL ASSEMBLY
39	2863320600	086400, 086410, 086420 086425RC, 086430	TRIANGLE TOOL ASSEMBLY
40	1863411600	086400, 086410, 086420 086425RC, 086430, 086435	WAND ADAPTER
41	1863105600	086400, 086410, 086420 086425RC, 086430, 086435	MOTOR GROMMET
42	1863118000	086400, 086410, 086420 086425RC, 086430, 086435	MICROFRESH BAG CHAMBER FILTER
43	1863122000	086400, 086410, 086420 086425RC, 086430, 086435	MICROFRESH FRONT PANEL EXHAUST FILTER
44	1690360600	086400, 086410, 086420 086425RC, 086430, 086435	TOOL CLIP
45	1864225000	086400, 086410, 086420 086425RC, 086430, 086435	LENS
46	1920906000	086400, 086410, 086420 086425RC, 086430, 086435	BULB #906
47	1863221000	086400, 086410, 086420 086425RC, 086430, 086435	SOCKET ASSEMBLY w/DIODE
48	1863420600	086400, 086410, 086420 086425RC, 086430, 086435	FILTER SUPPORT
49	2920215600	086435	2 in 1 FLOOR TOOL ASSEMBLY
50	2864300000	086400, 086410, 086420 086425RC, 086430, 086435	MECHANICAL FBI
51	1864115600	086400, 086410, 086420 086425RC, 086430, 086435	THERMAL PROTECTOR

**\*NOTE:** When ordering a new motor; #2-630172-000; if an inline thermal protector is installed in your unit you must also order the Black Lead #1-863250-600. New motor has integral thermal switch. **NEVER** use two (2) thermal protectors in circuit.