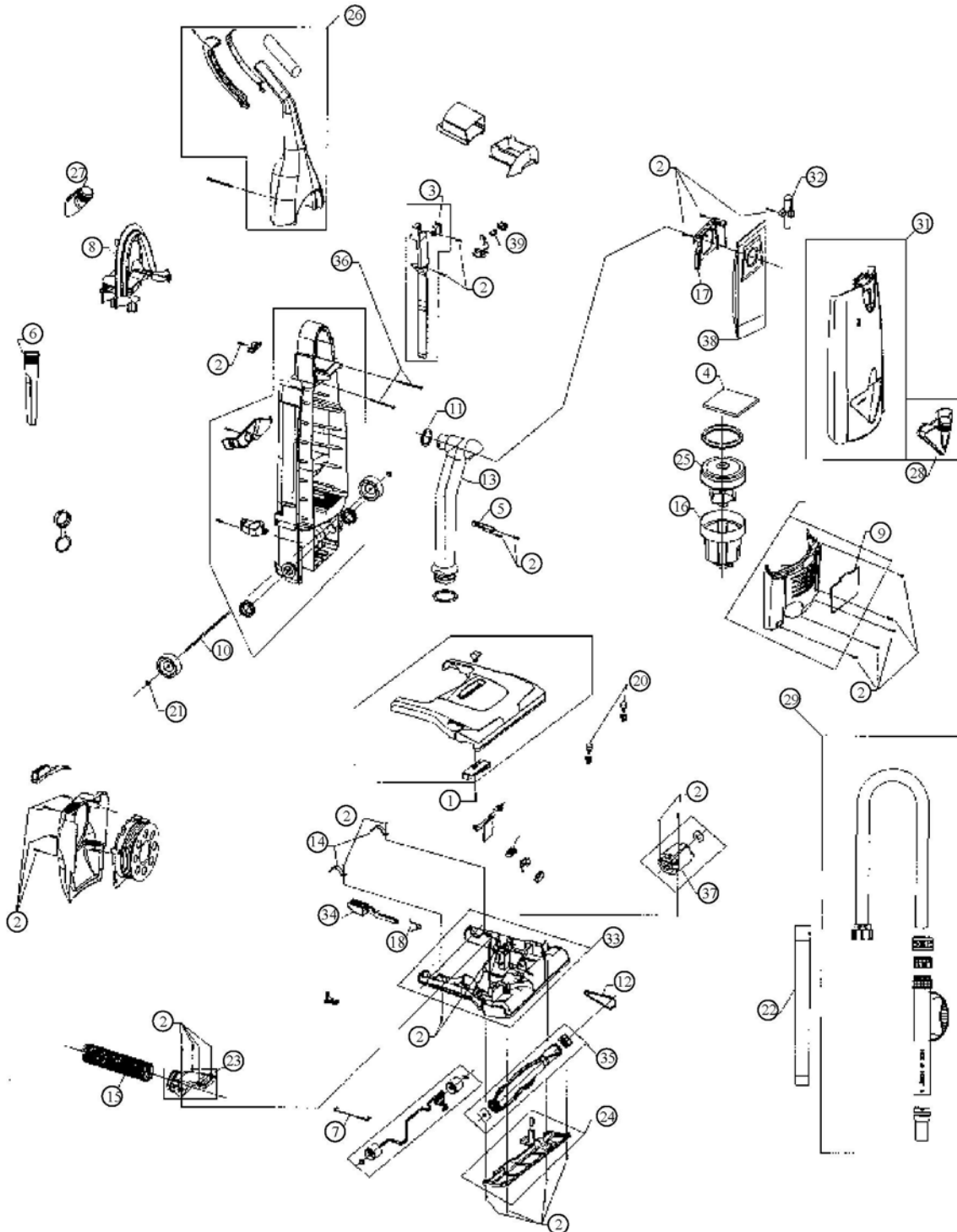


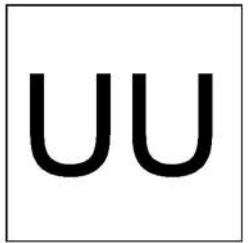


Assembly Schematic

Model No.

- 089200
- 089210
- 089220
- 089300
- 089400
- 089410
- 089470





Part Listing / Price List

Model No.

089200
089210
089220
089300
089400
089410
089470

Item	Part Number	Model's To Fit	Part Description
1	1250100000	All	SCREW, BODY
2	1503819000	All	SCREW, BODY 810 5/8"
3	1720128300	All	SWITCH
4	1920010000	All	FILTER, BAG CHAMBER
5	1920030600	All	CLAMP, DIRT TUBE
6	1920035600	All	TOOL, CREVICE
7	1920055000	All	LINKAGE, DOOR
8	1920080600	All	CADDY, REAR
9	3920013001	All	FILTER, MOTOR COVER
10	1920100000	All	AXLE, REAR WHEEL
11	1920105G00	All	GASKET, TOP DIRT TUBE
12	1920115600	All	BELT
13	1920130600	All	DIRT, TUBE
14	1920140000	All	CLAMP, PIVOT
15	1920145600	All	HOSE, DIRT PASSAGE
16	1920196600	All	MOTOR SHROUD
17	1920296600	All	HOLDER, BAG
18	1920410000	All	SPRING, HANDLE RELEASE
20	1920906000	All	BULB, WEDGE BASE
21	1801711000	All	WHEEL RETAINER CAP
22	2863360600	All	TELESCOPIC WAND
23	2920060600	All	DIRT PASSAGE COVER ASSY
24	2920135600	All	NOZZLE GUARD ASSY
25	2920171000	All	MOTOR ASSY
26	2920065300	All	HANDLE ASSY
27	2920215600	All	2 IN 1 TOOL
28	2920225300	All	TRIANGLE TOOL ASSY
29	2920240300	All	HOSE ASSY
31	292028030A	All	FRONT PANEL ASSY
32	2920300000	All	MECHANICAL FBI ASSY
33	2920360600	All	NOZZLE BASE ASSEMBLY



Part Listing / Price List

Item	Part Number	Model's To Fit	Part Description
34	2920365B00	All	HANDLE RELEASE PEDAL ASSY
35	2920375000	All	BRUSH ASSY
36	2920500000	All	PACKAGE, SCREW
37	2920700000	All	MOTOR ASSY. BRUSH
38	3920047001	All	PAPER BAGS 3 PACK
39	2997132600	089200,089210, 089220, 089470	CORD, POWER
40	1940430000	089470,089400, 089410	FASTENER,SLIDE POTENTIOMETER
	1940015000	All	THERMAL PROTECTOR

Model No.

089200

089210

089220

089300

089400

089410

089470