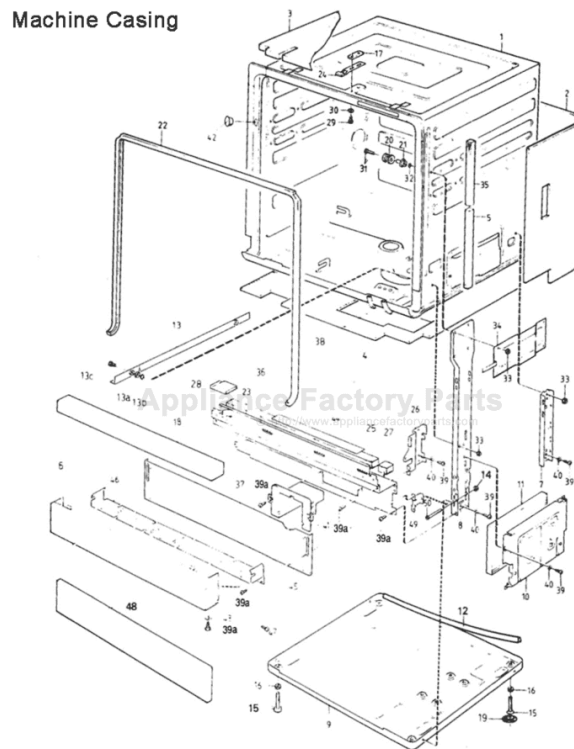


This Owner's Manual is provided and hosted by [Appliance Factory Parts](http://ApplianceFactoryParts.com).



ASKO 1502 Owner's Manual

[Shop genuine replacement parts for ASKO 1502](#)



[Find Your ASKO Dishwasher Parts - Select From 209 Models](#)

----- Manual continues below -----

| | |
|---------|--|
| 1990-05 | |
| | |

ASKO CYLINDA

| Datum 1990-05 Date | | HÖLJE MACH 1402, 1502 | | | |
|--------------------------|-----------|--------------------------|-----|--|--------------|
| Fig. | Antal Qty | | | | Detalj nr |
| | 1402 | 1502 | | | Part No. |
| 1 | 1 | 1 | | | 88 008 80 |
| 2 | 1 | 1 | | | 80 515 08 |
| 3 | 1 | 1 | | | 80 515 09 |
| 4 | 1 | 1 | | | 80 073 47 |
| 5 | 2 | 2 | | | 80 073 49 |
| 6 | 1 | 1 | | | 80 051 54-A0 |
| 7 | 2 | 2 | | | 80 521 74 |
| 8 | 2 | 2 | | | 80 052 86 |
| 9 | 1 | 1 | | | 80 097 22 |
| 10 | 2 | 2 | | | 80 527 90 |
| 11 | 2 | 2 | | | 80 073 60 |
| 12 | Er | As | 100 | | 80 521 50 |

22



ASKO CYLINDA

| Datum 1990-05 Date | | HÖLJE CASING 1402, 1502 | | | |
|---------------------------------|----------------|----------------------------|-------------------|--|--|
| Fig. | Antal Qty | | Detail nr | | |
| | 1402 | 1502 | Part No. | | |
| 38 | Erf.-As | required | 80 099 08 | | |
| 39 | 5 | 5 | 89 003 27 | | |
| 39a | 13 | 13 | 89 003 52 | | |
| 40 | 10 | 10 | 89 014 13 | | |
| 41 | 1 | 1 | 80 053 42 | | |
| 42 | 2 | 2 | 80 510 88 | | |
| 43 | 3 | 3 | 89 013 33 | | |
| 44 | Erf | Erf | 80 093 54 | | |
| 45 | 1 | 1 | 80 515 12- | | |
| | 1 | 1 | 80 053 51- | | |

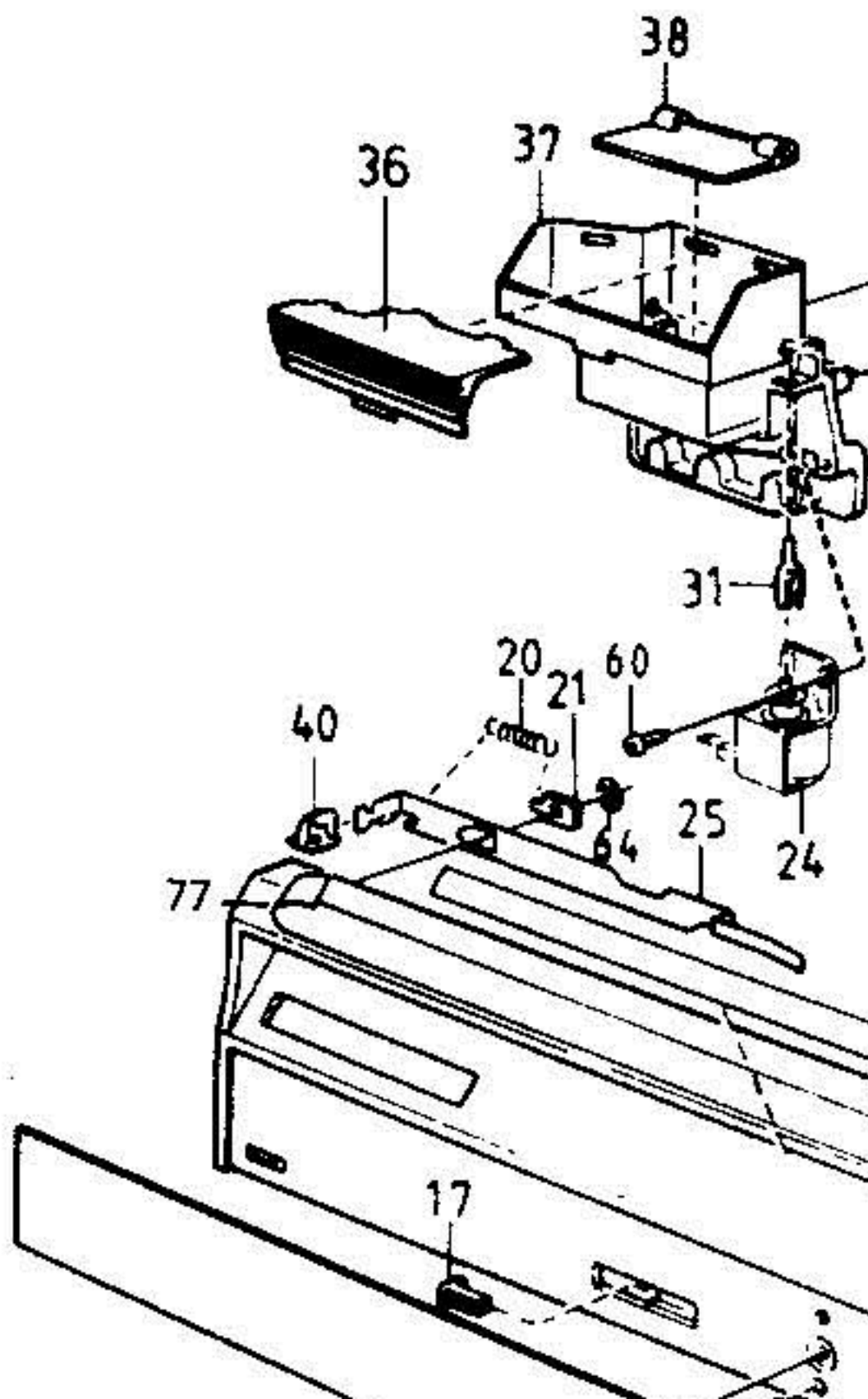
11/11/11

22



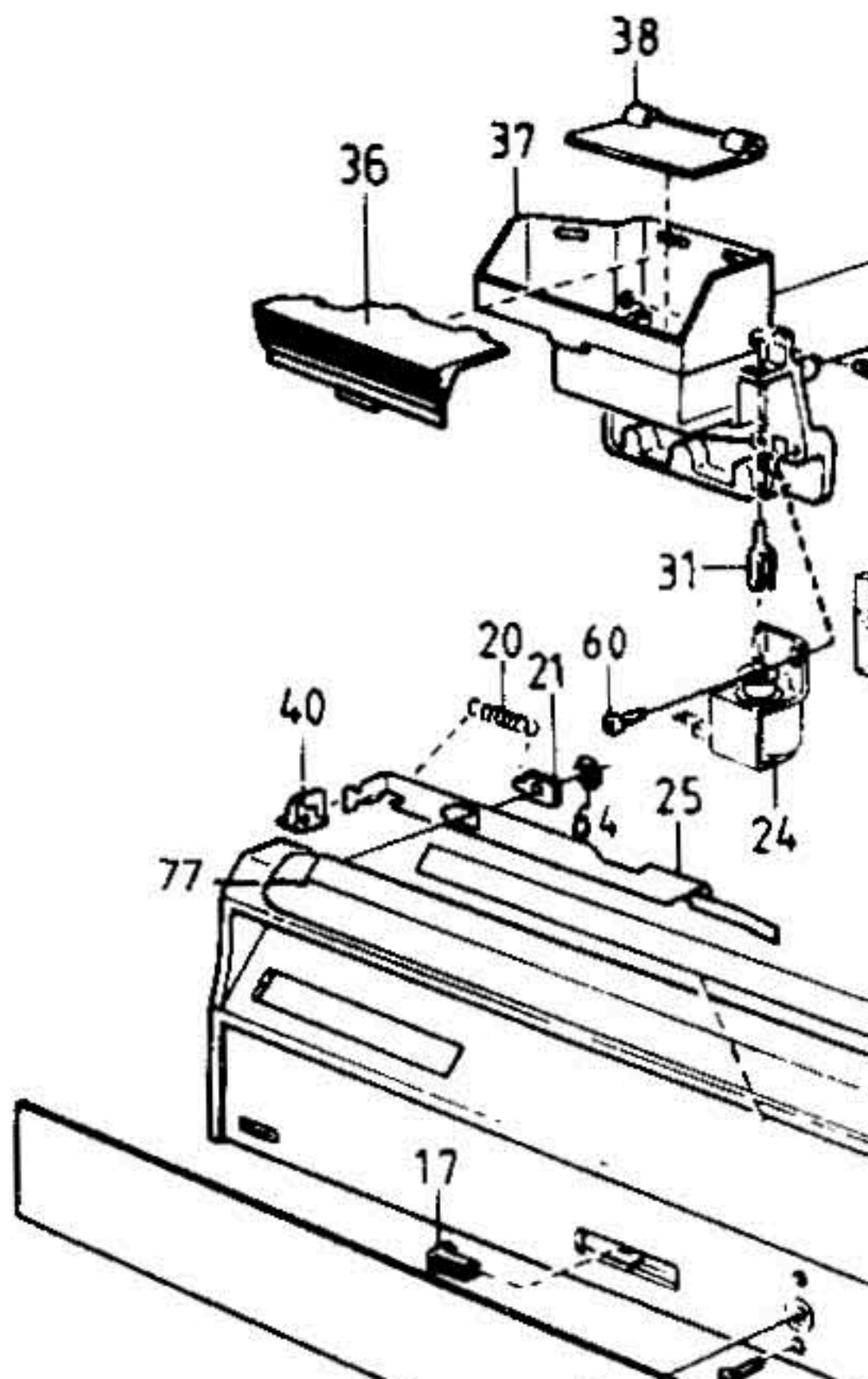
ASKO CYLINDA

| Datum 1990-05 Date | | LUCKA | | DOOR | | |
|---------------------------------|-----------|------------|--|------|-------------|--|
| Date | | 1402, 1502 | | | | |
| Fig. | Antal Qty | | | | Detalj nr | |
| | 1402 | 1502 | | | Part No. | |
| 1 | 1 | 1 | | | 80 522 43-0 | |
| 1a | 8 | 8 | | | 80 097 69 | |
| 2 | 1 | 1 | | | 88 007 54 | |
| 3 | 2 | 2 | | | 74 802 66 | |
| 4 | 2 | 2 | | | 80 045 88 | |
| 5 | 2 | 1 | | | 80 052 99 | |
| | | 1 | | | 80 500 03 | |
| 6 | 1 | 1 | | | 80 053 28 | |
| 7 | 1 | 1 | | | 80 514 83 | |
| 8 | 1 | 1 | | | 80 510 77 | |
| 9 | 1 | 1 | | | 80 053 33 | |
| 10 | 1 | 1 | | | 80 089 98 | |



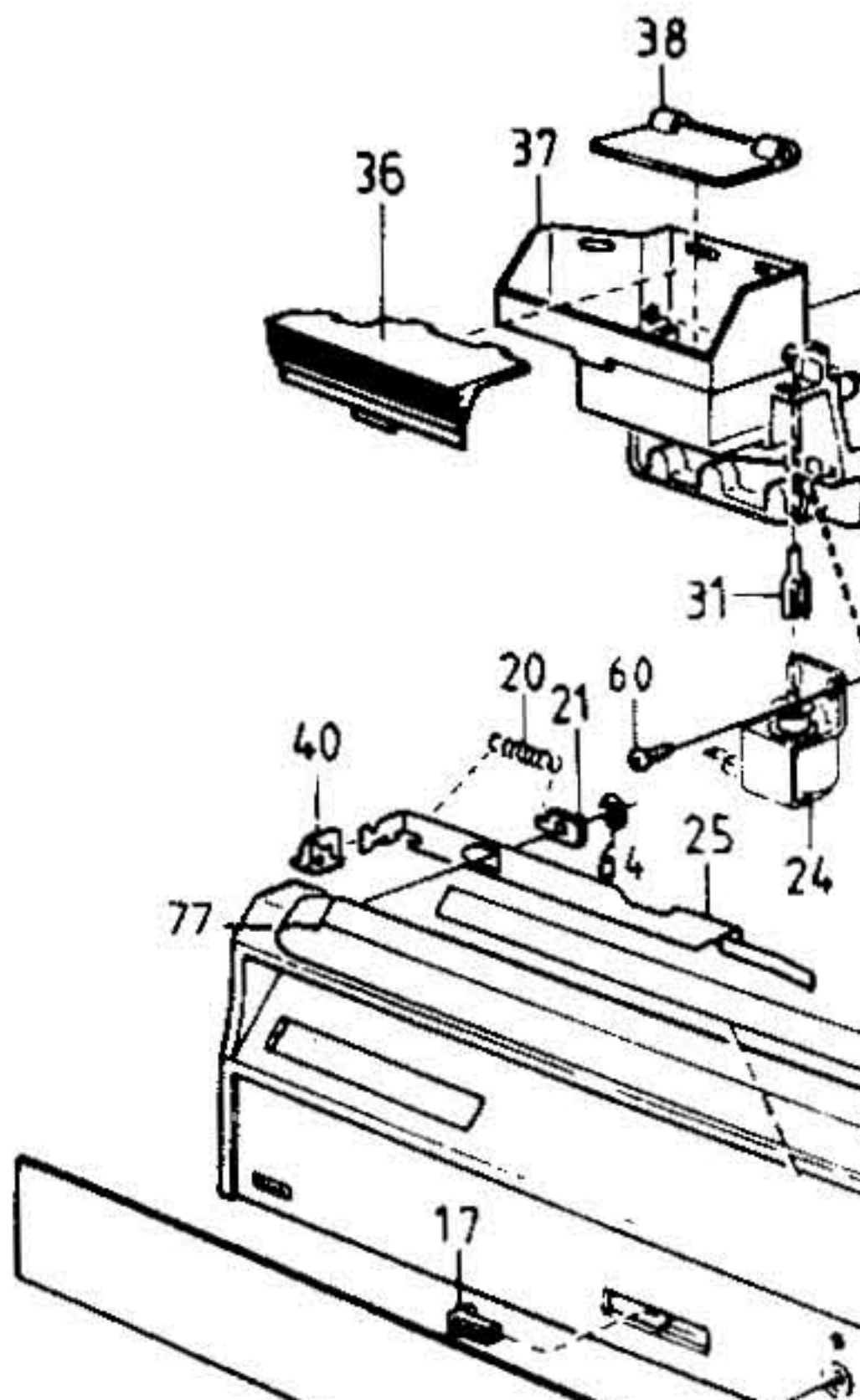
ASKO CYLINDA

| Datum | | LUCKA | | DOC |
|---------|-----------|------------|--------------|-----|
| 1990-05 | | 1402, 1502 | | |
| Fig. | Antal Qty | | Detail nr | |
| | 1402 | 1502 | Part No. | |
| 36 | 1 | 1 | 80 530 18 | |
| | 1 | 1 | 80 521 78-33 | |
| 37 | 1 | 1 | 80 061 64 | |
| 38 | 1 | 1 | 80 056 71 | |
| 39 | 1 | 1 | 80 070 76- | |
| 40 | 1 | 1 | 80 077 90- | |
| 41 | 1 | 1 | 80 079 36 | |
| 42 | 1 | 1 | 80 085 01 | |
| 43 | 1 | 1 | 80 079 86 | |
| 44 | 1 | | 80 533 87 | |
| | 1 | | 80 534 38 | |
| | 1 | | 80 541 86 | |



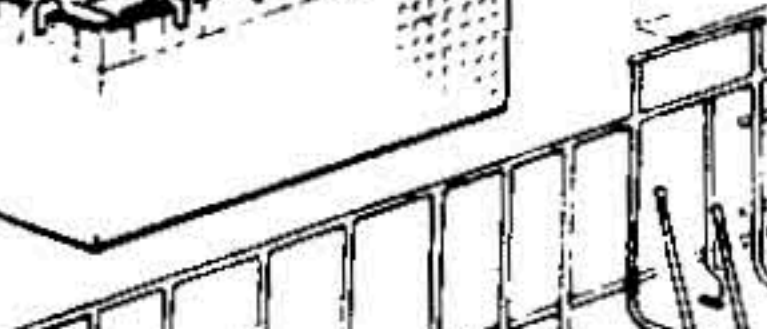
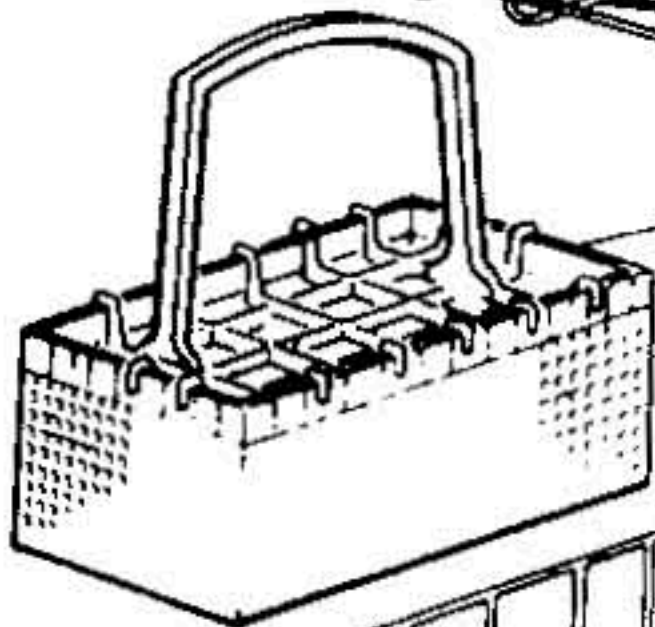
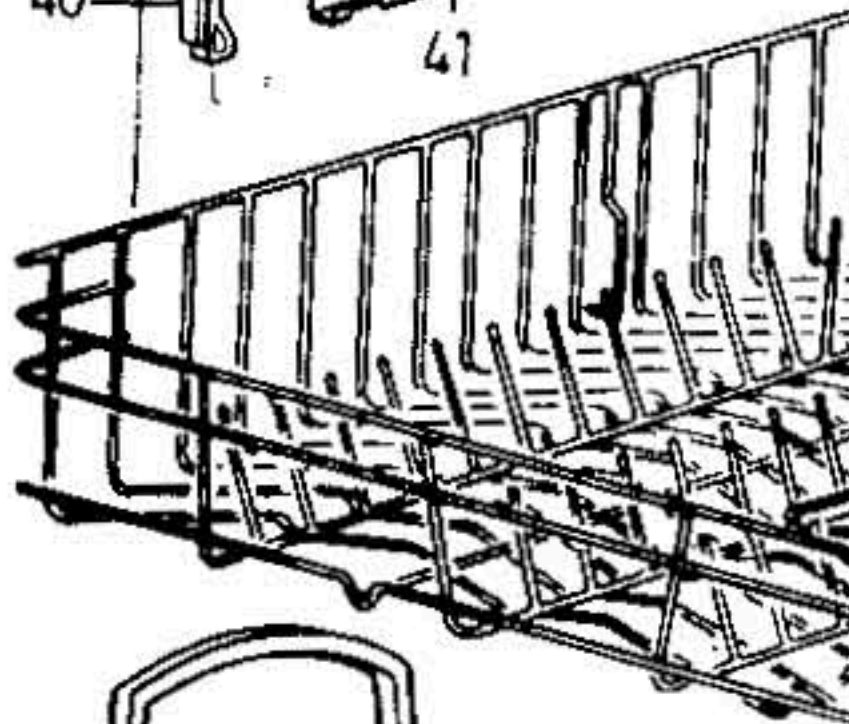
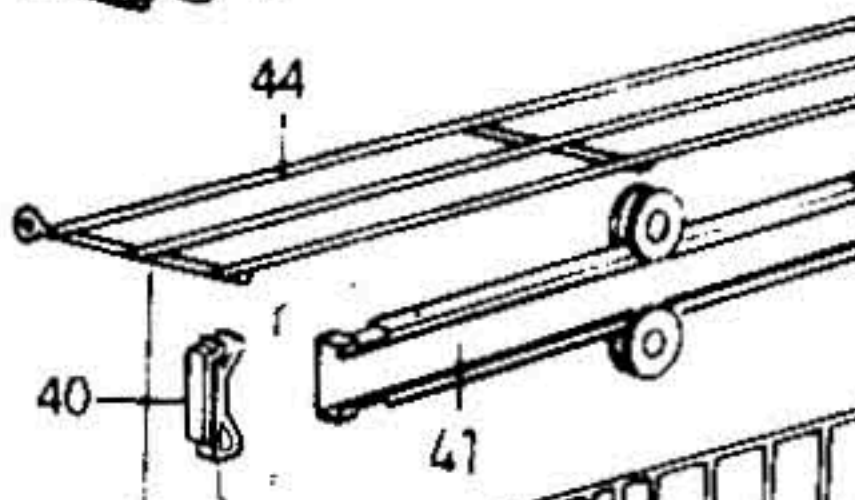
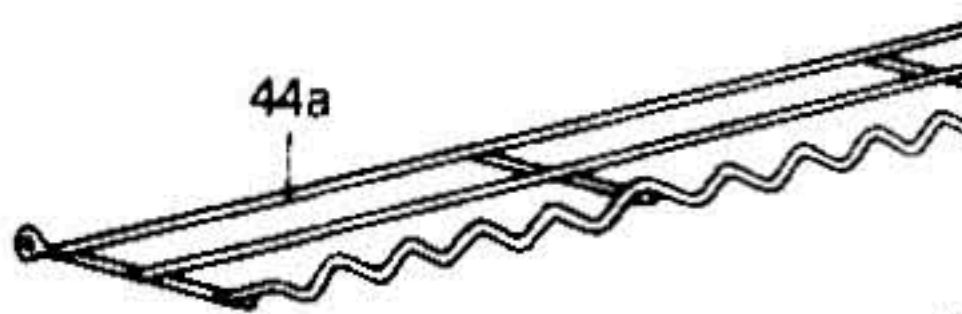
ASKO CYLINDA

| Datum 1990-05 Date | | LUCKA DOOR 1402, 1502 | | | |
|---------------------------------|-----------|--------------------------|--|--|-----------|
| Fig. | Antal Qty | | | | Detalj nr |
| | 1402 | 1502 | | | Part No. |
| 66 | 4 | 4 | | | 89 009 44 |
| 67 | 2 | 2 | | | 89 009 44 |
| 68 | 2 | 2 | | | 89 017 59 |
| 69 | 2 | 2 | | | 73 820 87 |
| 70 | 1 | 1 | | | 80 040 37 |
| 71 | 1 | 1 | | | 88 007 64 |
| 72 | 1 | 1 | | | 80 040 38 |
| 73 | 1 | 1 | | | 80 024 05 |
| 74 | 2 | 2 | | | 89 006 44 |
| 75 | 1 | 1 | | | 89 015 32 |
| 76 | 2 | 2 | | | 89 010 97 |
| 77 | 1 | 1 | | | 80 541 84 |
| | 1 | 1 | | | 80 538 14 |



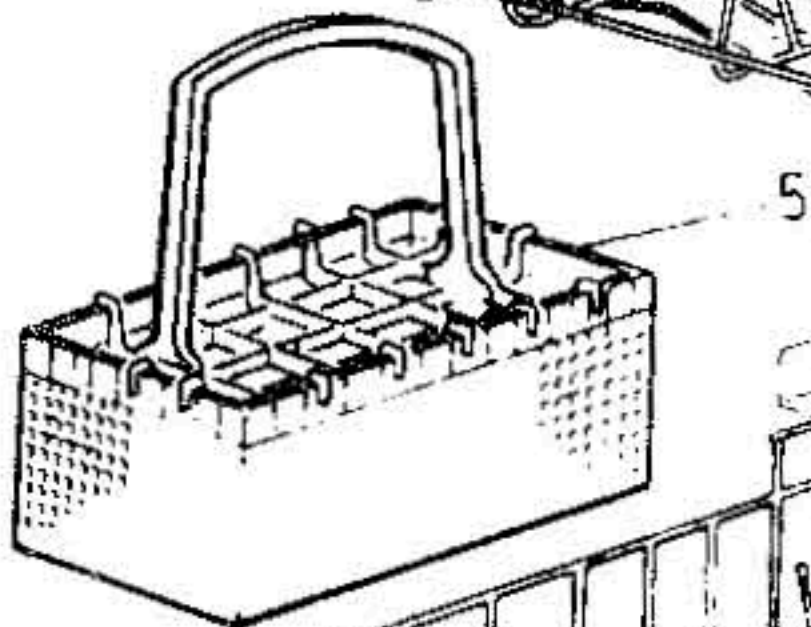
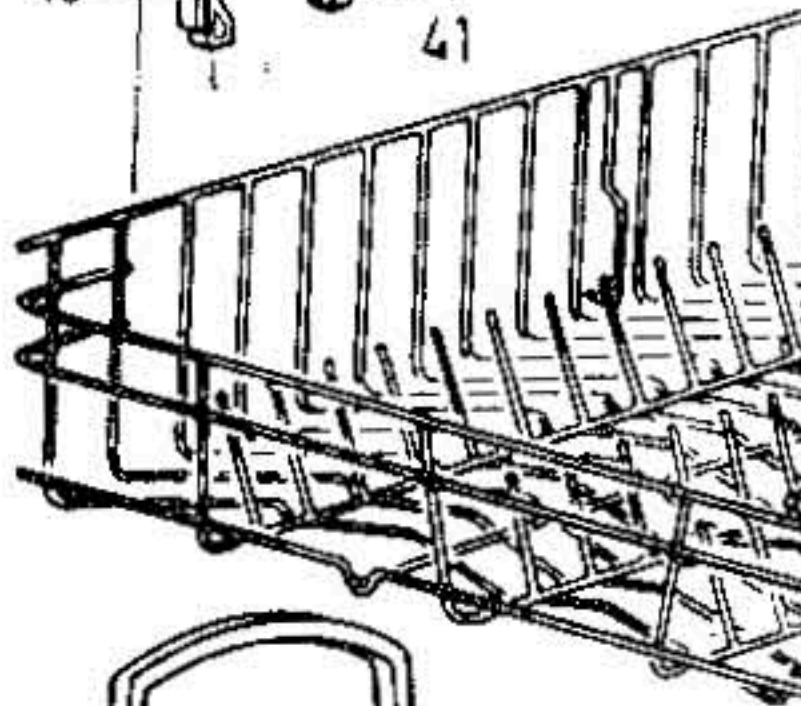
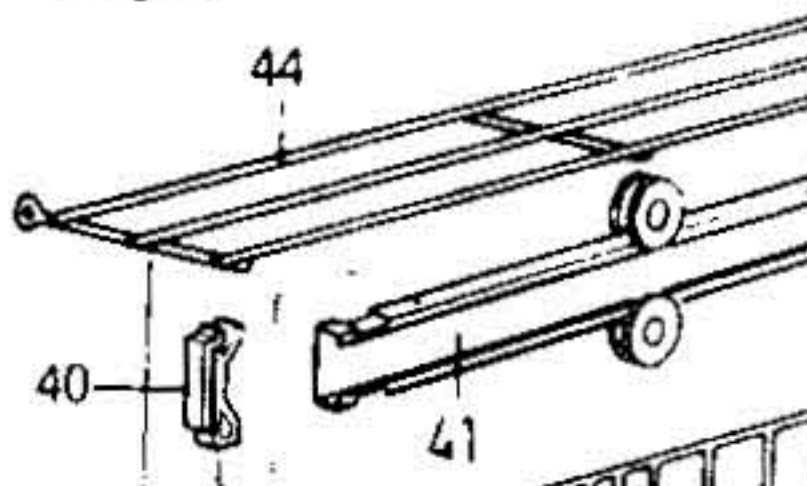
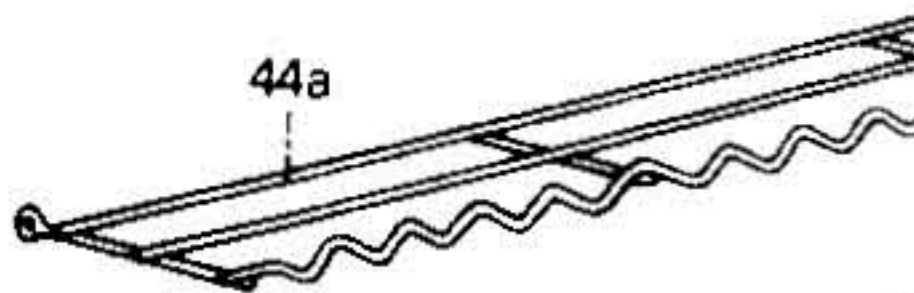
ASKO CYLINDA

| Datum 1990-05 Date | | DISKSYSTEM | | | | DI |
|---------------------------------|-----------|------------|--|--|--------------|----|
| | | 1402, 1502 | | | | |
| Fig. | Antai Qty | | | | Detalj nr | |
| | 1402 | 1502 | | | Part No. | |
| 1 | 1 | 1 | | | 80 058 72 | |
| 2 | 10 | 10 | | | 80 095 16 | |
| 3 | 1 | 1 | | | 80 050 71 | |
| 4 | 1 | 1 | | | 80 082 61 | |
| 5 | 1 | 1 | | | 80 520 87-33 | |
| 6 | 1 | 1 | | | 80 523 44 | S |
| 7 | 1 | 1 | | | 80523 45 | S |
| 8 | 2 | 2 | | | 80 520 79 | S |
| 9 | 2 | 2 | | | 80 520 80 | S |
| 10 | 2 | 2 | | | 80 521 08 | I |
| 11 | 2 | 2 | | | 80 520 95 | I |



ASKO CYLINDA

| Datum | | DISKSYSTEM | | | |
|---------|-----------|------------|--|--|-----------|
| 1990-05 | | 1402, 1502 | | | |
| Fig. | Antal Qty | | | | Detalj nr |
| | 1402 | 1502 | | | Part No. |
| 44 | 1 | 1 | | | 80 098 25 |
| 44A | 1 | 1 | | | 80 537 98 |
| 45 | 1 | 1 | | | 80 053 01 |
| 46 | 1 | 1 | | | 80 038 89 |
| 47 | 1 | 1 | | | 80 040 75 |
| 49 | 1 | 1 | | | 89 006 43 |
| 48 | 1 | 1 | | | 80 094 69 |
| 50 | 1 | 1 | | | 80 521 59 |
| 51 | 5 | 5 | | | 89 012 42 |
| 52 | 3 | 3 | | | 89 000 26 |
| 53 | 1 | 1 | | | 80 072 11 |

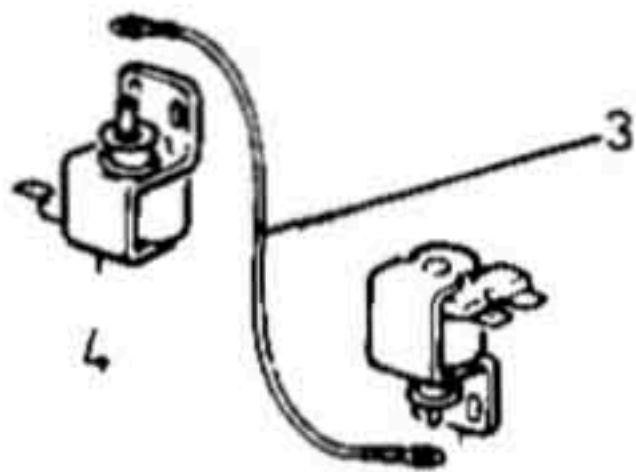


ASKO CYLINDA

| Datum 1990-05 Date | | ELEKTRISK UTRUST 1402, 1502 | | | |
|---------------------------------|-----------|---------------------------------------|--|--|---------------------------|
| Fig. | Antal Qty | | | | Detail nr Part No. |
| | 1402 | 1502 | | | |
| 1 | 1 | 1 | | | 80 512 70 |
| 2 | 1 | | | | 80 517 99 |
| 3 | 1 | 1 | | | 80 515 20 |
| 4 | 2 | 2 | | | 80 508 93 |
| 5 | 1 | | | | 80 509 14 80 509 15 |
| 6 | 1 | | | | 80 508 20 |
| | | 1 | | | 80 532 59-33 |
| 7 | 1 | | | | 80 535 93 |
| 8 | 1 | | | | 80 532 57 |
| 9 | 1 | | | | 80 053 88 |
| 10 | 2 | 2 | | | 89 010 97 |



5



4

4

3



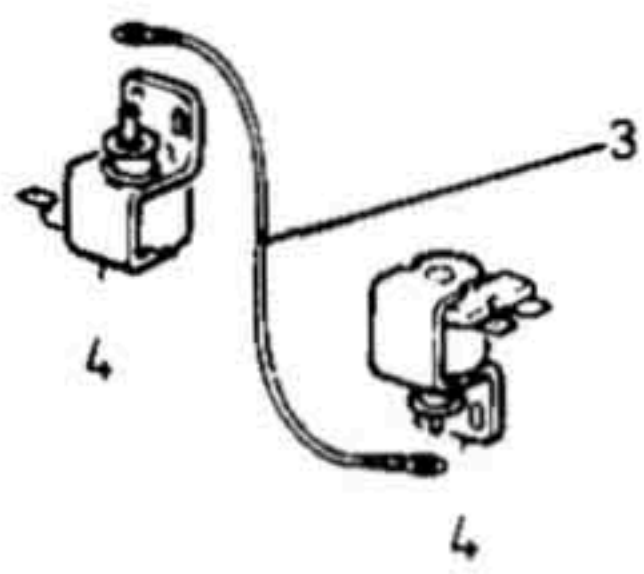
6

ASKO CYLINDA

| Datum 1990-05 Date | | ELEKTRISK UTRU 1402, 1502 | | | |
|--------------------------|-----------|------------------------------|--|--|-----------|
| Fig | Antal Qty | | | | Detail nr |
| | 1402 | 1502 | | | Part No. |
| 36 | 1 | | | | 80 509 13 |
| 37 | 1 | 1 | | | 89 014 15 |
| 38 | 1 | 1 | | | 89 012 53 |
| 39 | 4 | 4 | | | 89 014 13 |
| 40 | 1 | 1 | | | 80 514 79 |
| 41 | 3 | 3 | | | 89 015 29 |
| 42 | 2 | 2 | | | 89 003 50 |
| 43 | 1 | 1 | | | 88 005 89 |
| 44 | 1 | 1 | | | 73 828 11 |
| 45 | 3 | 3 | | | 89 015 50 |

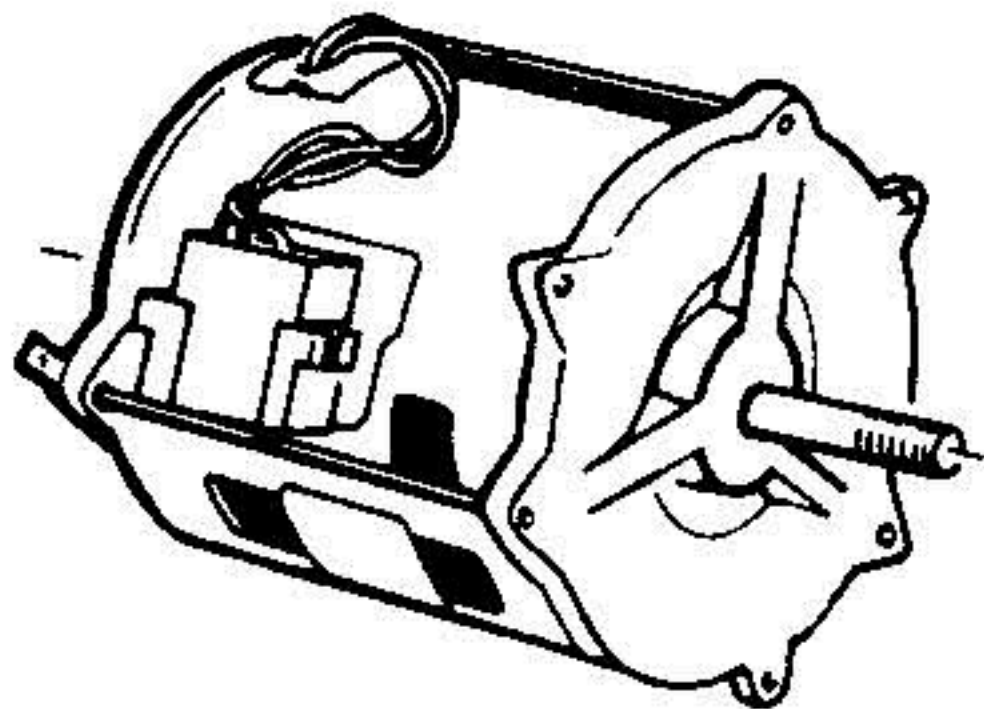


5



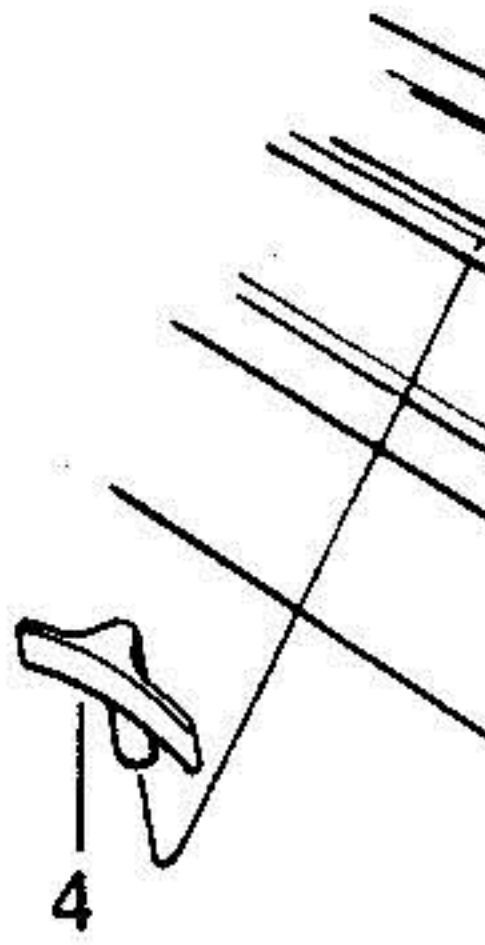
ASKO CYLINDA

| Datum 1990-05 Date | | DETALJER FÖR CIRC PUMP OCH AVLOPPS 1402, 1502 | | | |
|--------------------------|-----------|---|--|--|-----------|
| Fig. | Antal Qty | | | | Detail nr |
| | | | | | Part No. |
| 1 | 1 | | | | 88 009 33 |
| 2 | 1 | | | | 88 009 35 |
| 3 | 1 | | | | 88 009 38 |
| 4 | 1 | | | | 88 005 83 |
| 5 | 1 | | | | 88 009 34 |
| 6 | 1 | | | | 88 009 36 |
| 7 | 1 | | | | 88 009 37 |
| 8 | | 1 | | | 80 025 80 |
| 9 | | 1 | | | 88 007 02 |
| 10 | | 1 | | | 88 007 33 |
| 11 | | 1 | | | 80 025 82 |
| 12 | | 1 | | | 88 007 35 |
| 13 | | 1 | | | 88 007 36 |



ASKO CYLINDA

| Datum 1990-05 Date | | STYRUTRUSTNING 1502 | | | |
|---------------------------------|-----------|-------------------------------|--|------------|--|
| Fig. | Antal Qty | | | Detalj nr | |
| | | 1502 | | Part No. | |
| 1 | | 1 | | 80 537 81 | |
| | | 1 | | 80 541 90 | |
| 2 | | 1 | | 80 537 80 | |
| | | 1 | | 80 541 91 | |
| 3 | | 1 | | 80 538 82 | |
| | | 1 | | 80 537 79 | |
| 4 | | 1 | | 80 532 40 | |
| | | 1 | | 80 524 36- | |
| 5 | | 2 | | 33450536 | |
| 6 | | 1 | | 80 527 22 | |



ASKO CYLINDA

| Datum 1988-05 Date | | TILLBEHÖR 1402, 1502 | | | |
|---------------------------------|-----------|--------------------------------|--|--|------------|
| Fig. | Antal Qty | | | | Detalj nr |
| | | | | | Part No. |
| 1 | | | | | 80 097 47- |
| | | | | | 80 097 46- |
| | | | | | 80 097 45- |
| | | | | | 80 097 44- |
| | | | | | 80 097 81- |
| 2 | | | | | 80 097 82- |
| | | | | | 80 097 49 |
| | | | | | 80 097 48 |
| 3 | | | | | 80 096 16 |
| | | | | | 80 070 29 |
| 4 | | | | | 80 070 30 |
| | | | | | |
| 5 | | | | | |
| | | | | | |
| 6 | | | | | |
| | | | | | |