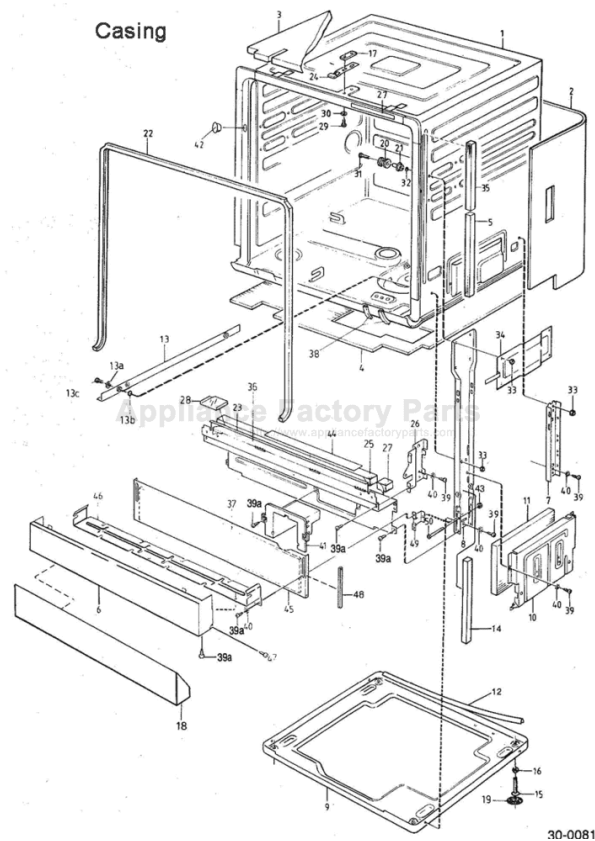


This Owner's Manual is provided and hosted by [Appliance Factory Parts](#).



ASKO 1473 Owner's Manual

[Shop genuine replacement parts for ASKO 1473](#)



[Find Your ASKO Dishwasher Parts - Select From 209 Models](#)

----- Manual continues below -----

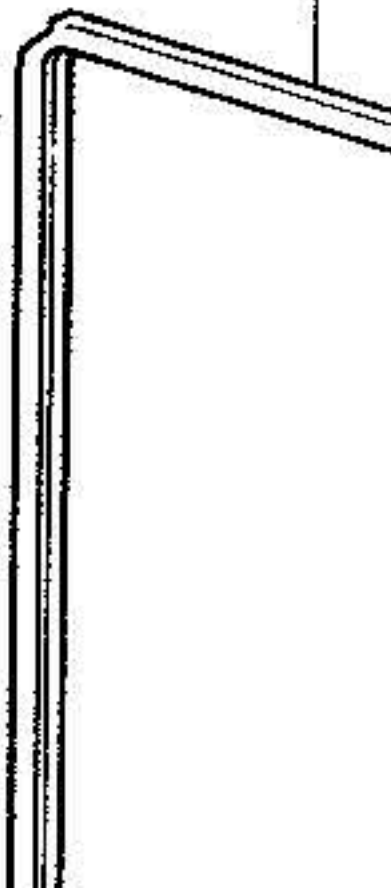
ASKO CYLINDA

1992-06

ASKO CYLINDA

| Datum 1992-06 Date | | BEHÅLLARE | | | |
|---------------------------------|-----------|-----------|------|--------------|--|
| Fig. | Antal Qty | | | Detalj nr | |
| | 1303 | 1473 | 1503 | Part No. | |
| 1 | 1 | 1 | | 88 007 60 | |
| | | | 1 | 88 010 42 | |
| 2 | 1 | 1 | 1 | 80 520 05 | |
| 3 | 1 | 1 | 1 | 80 073 46 | |
| 4 | 1 | 1 | 1 | 80 073 47 | |
| 5 | 2 | 2 | 2 | 80 073 49 | |
| 6 | 1 | 1 | 1 | 80 561 93-0 | |
| | 1 | 1 | 1 | 80 051 54-A0 | |
| 7 | 2 | 2 | 2 | 80 521 74 | |
| 8 | 2 | 2 | 2 | 80 052 86 | |
| 9 | 1 | 1 | 1 | 80 551 30 | |
| 10 | 2 | 2 | 2 | 80 527 90 | |

22

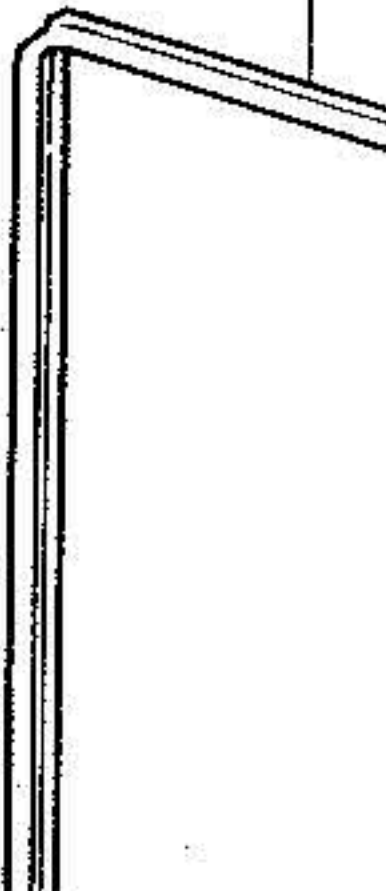


ASKO CYLINDA

| | |
|---------------------------------|------------------|
| Datum 1992-06 Date | BEHÅLLARE |
|---------------------------------|------------------|

| Fig. | Antal Qty | | | Detalj nr |
|------|-----------|------|------|-----------|
| | 1303 | 1473 | 1503 | Part No. |
| 31 | 8 | 8 | 8 | 89 019 59 |
| 32 | 8 | 8 | 8 | 89 017 53 |
| 33 | 12 | 12 | 12 | 89 011 92 |
| 34 | 2 | 2 | 2 | 80 093 77 |
| 35 | 2 | 2 | 2 | 80 093 98 |
| 36 | Erf | As | req | 80 521 50 |
| | | | | 80 562 17 |
| 37 | | | 1 | 80 554 88 |
| 38 | Erf | As | req | 80 099 08 |
| 39 | 10 | 10 | 10 | 89 003 27 |
| a | 13 | 13 | 13 | 89 003 52 |
| 40 | 12 | 12 | 12 | 89 014 13 |

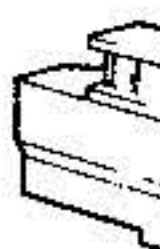
22



ASKO CYLINDA

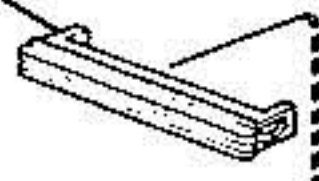
| | |
|---------------------------------|-------------------------|
| Datum 1992-06 Date | LUCKA + PANEL 13 |
|---------------------------------|-------------------------|

| Fig. | Antal Qty | | | Detalj nr |
|------|-----------|------|------|-------------|
| | 1303 | 1473 | 1503 | Part No. |
| 1 | 1 | 1 | 1 | 80 548 47 |
| 2 | 1 | 1 | 1 | 80 056 71 |
| 3 | 1 | 1 | 1 | 80 061 64 |
| 4 | 1 | 1 | 1 | 80 053 23 |
| 5 | 1 | 1 | 1 | 80 053 34 |
| 6 | 1 | 1 | 1 | 80 053 37- |
| 7 | 1 | 1 | 1 | 80 053 35 |
| 8 | 2 | 2 | 2 | 89 020 85 |
| 9 | 1 | 1 | 1 | 80 053 26 |
| 10 | 2 | 2 | 2 | 89 020 42 |
| 11 | 1 | 1 | 1 | |
| 12 | 1 | 1 | 1 | 80 562 39-0 |



12

22



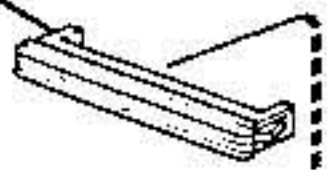
ASKO CYLINDA

| Datum 1992-06 Date | | LUCKA + PANEL | | | |
|---------------------------------|-----------|---------------|----------|---------------------|--|
| Fig. | Antal Qty | | | Detail nr | |
| | 1303 | 1473 | 1503 | Part No. | |
| 36 | 1 | 1 | 1 | 88 010 46 | |
| 37 | 6 | 6 | 6 | 89 020 85 | |
| 38 | 2 | 2 | 2 | 89 020 85 | |
| 39 | | 4 | 4 | 89 020 85 | |
| a | 4 | | | 80 548 67 | |
| 40 | 1 | 1 | 1 | 80 040 37 | |
| | 1 | 1 | 1 | 80 040 37- | |
| 41 | 1 | 1 | 1 | 88 007 64 | |
| | 1 | 1 | 1 | 88 007 64-36 | |
| | 1 | 1 | 1 | 88 009 20 | |
| a | 1 | 1 | 1 | 80 024 05 | |
| 42 | 1 | 1 | 1 | 80 040 38 | |
| | 1 | 1 | 1 | 80 040 38- | |



12

22



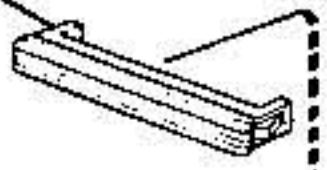
ASKO CYLINDA

| Datum 1992-06 Date | | LUCKA + PANEL 1 | | | |
|---------------------------------|-----------|-----------------|------|------------|--|
| Fig. | Antal Qty | | | Detalj nr | |
| | 1303 | 1473 | 1503 | Part No. | |
| 61 | 1 | 1 | 1 | 80 079 86 | |
| 62 | 1 | 1 | 1 | 80 524 52 | |
| 63 | 1 | 1 | 1 | 80 524 58 | |
| 64 | 1 | 1 | 1 | 89 003 11 | |
| 65 | 1 | 1 | 1 | | |
| 66 | 1 | 1 | 1 | 80 524 49 | |
| 67 | 1 | 1 | 1 | | |
| 68 | 1 | 1 | 1 | 80 548 41 | |
| 69 | 1 | 1 | 1 | 80 548 42 | |
| 70 | 1 | 1 | 1 | 89 017 65 | |
| 71 | 1 | 1 | 1 | 80 548 59- | |
| 72 | 1 | 1 | 1 | 80 530 05 | |



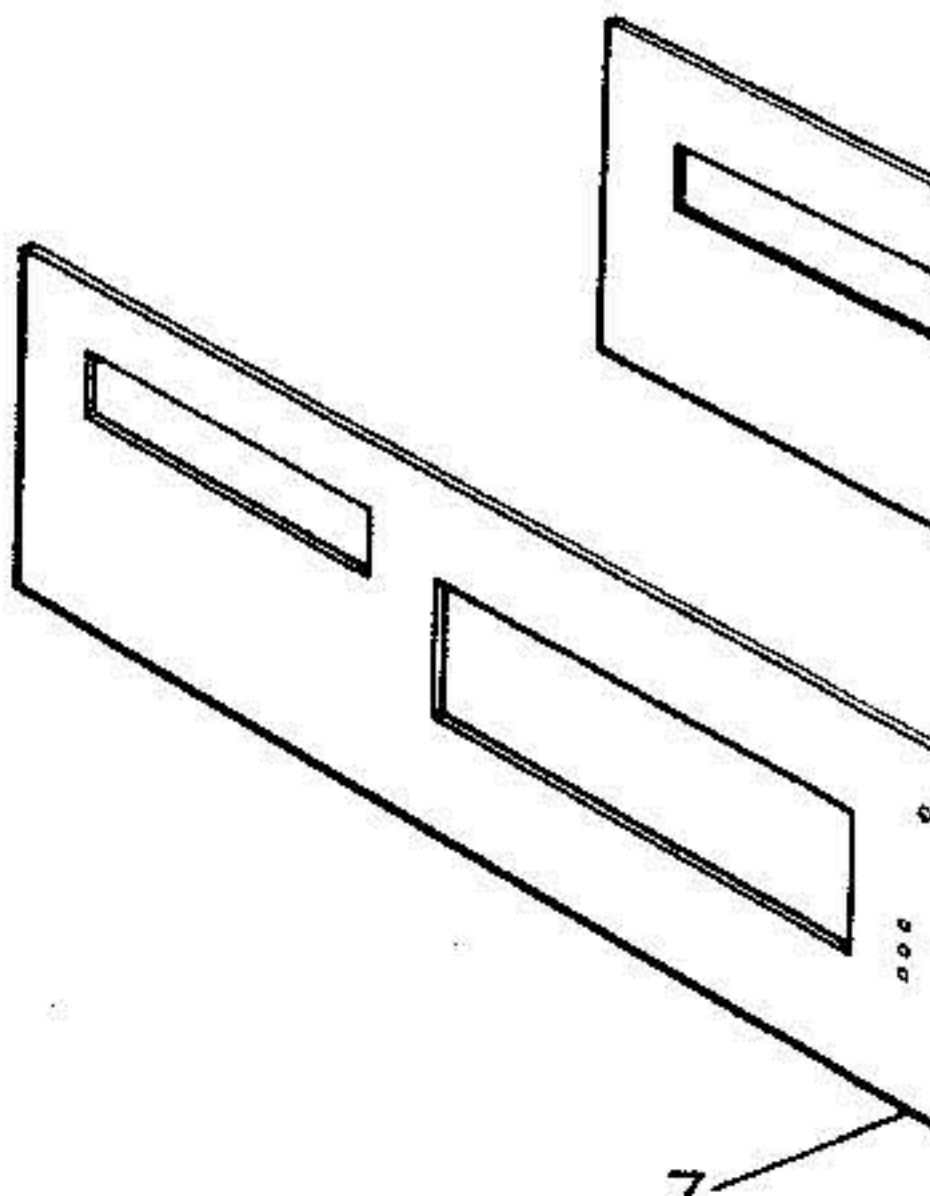
22

12



ASKO CYLINDA

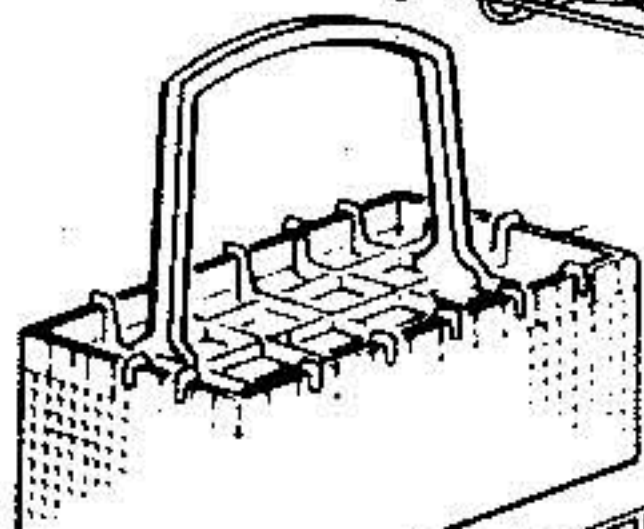
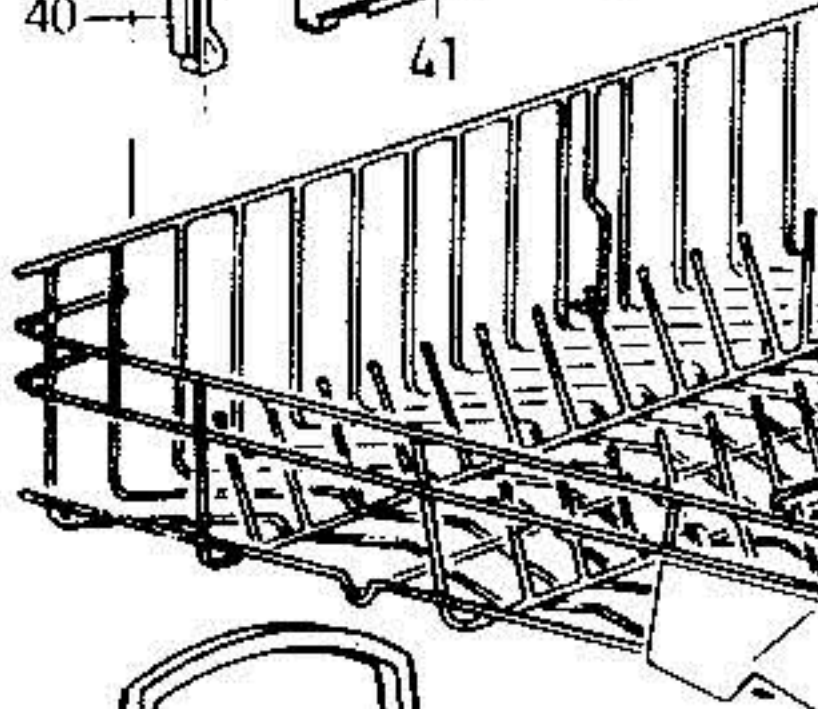
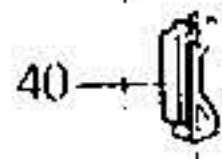
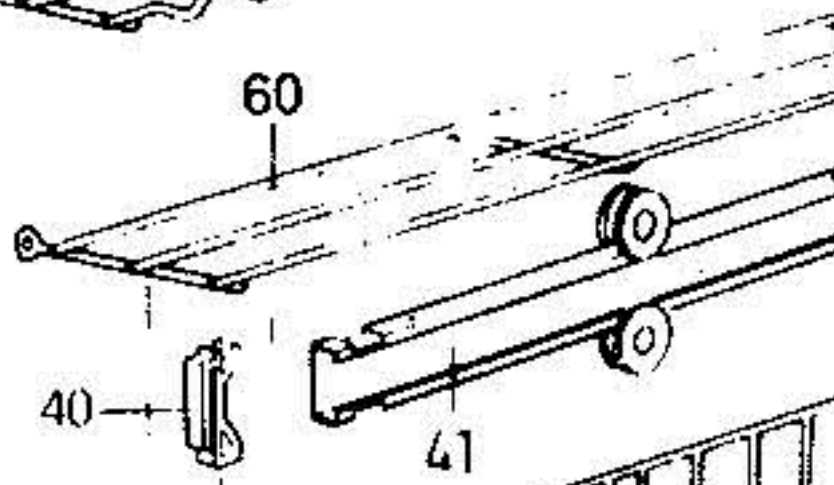
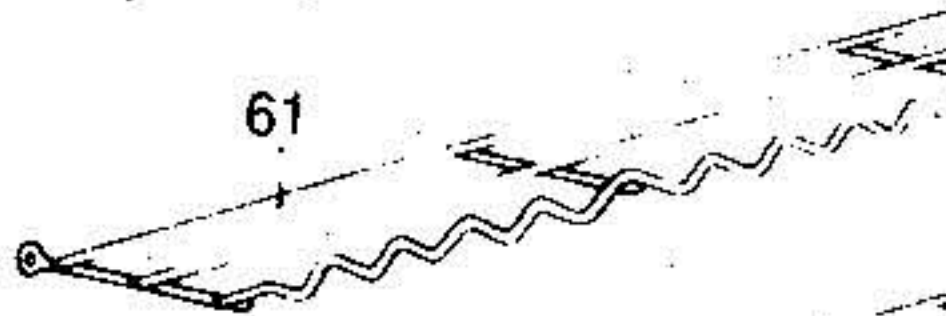
| Datum 1992-06 Date | | PANEL 1403, 1503 | | | |
|---------------------------------|-----------|------------------|------|--|----------------|
| Fig. | Antal Qty | | | | Detalj nr |
| | 1303 | 1473 | 1503 | | Part No. |
| 1 | | 6 | 6 | | 89 016 36 |
| 2 | | 1 | 1 | | 80 562 39-0 |
| | | 1 | 1 | | 80 548 45-33-U |
| 3 | | 1 | | | 80 562 57- |
| 4 | | 1 | | | 80 562 69- |
| 5 | | 1 | | | 80 562 31 |
| | | | 1 | | 80 565 08 |
| 6 | | | 1 | | 80 551 21 |
| 7 | | | 1 | | 80 562 58- |
| 8 | | 1 | 1 | | 89 520 85 |
| 9 | | 1 | | | 80 554 79 |



ASKO CYLINDA

| | | |
|-------|----------------|-------------------|
| Datum | 1992-06 | DISKSYSTEM |
| Date | | |

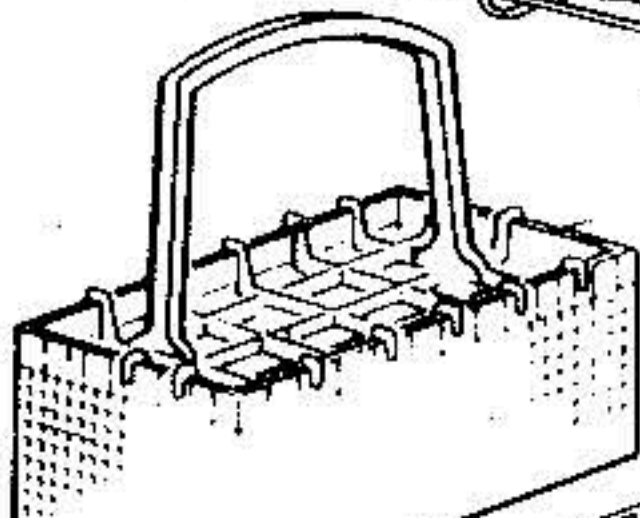
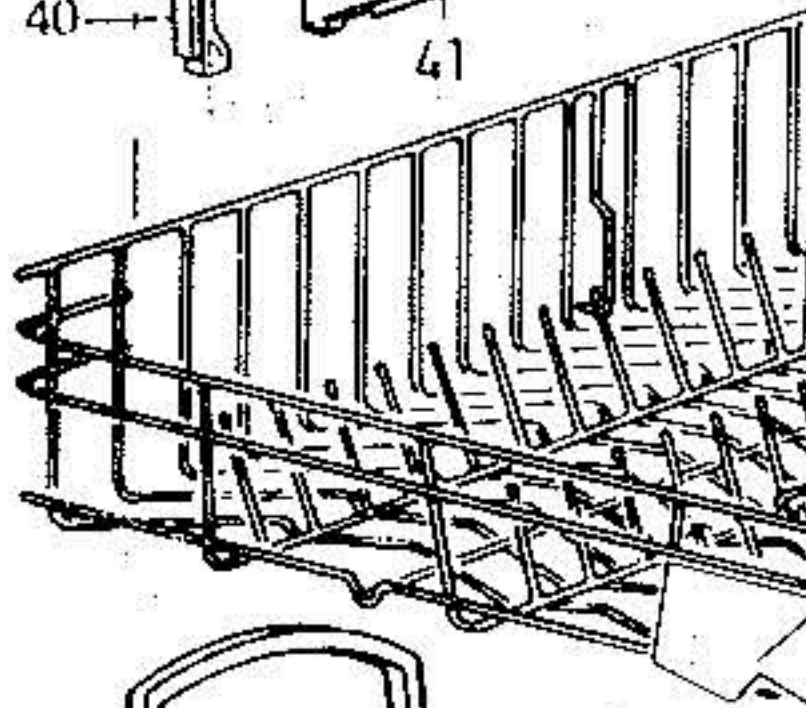
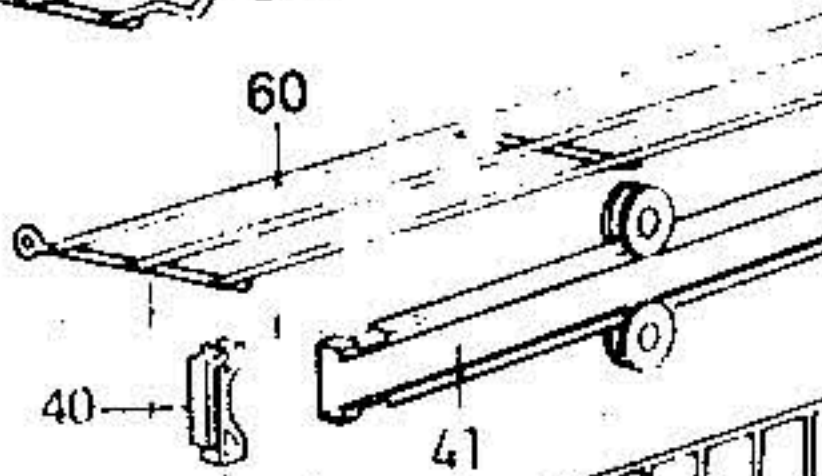
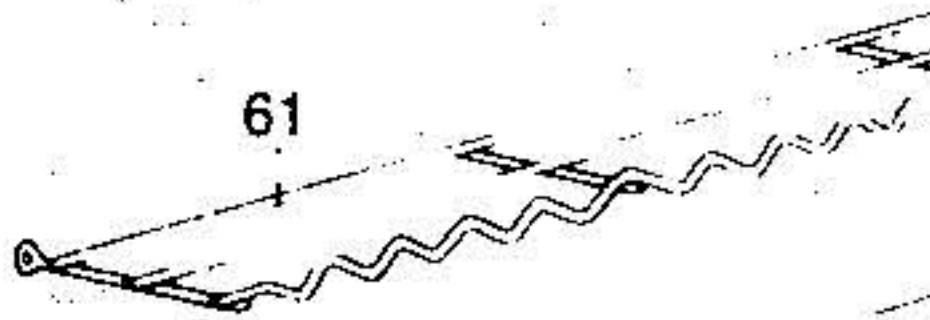
| Fig. | Antal Qty | | | Part No. |
|------|-----------|------|------|------------|
| | 1303 | 1473 | 1503 | |
| 1 | 1 | 1 | 1 | 88 010 47- |
| 2 | 10 | 10 | 10 | 80 095 16 |
| | 10 | 10 | 10 | 80 095 16- |
| 3 | 1 | 1 | 1 | 88 010 48- |
| 4 | | 1 | 1 | 80 521 62 |
| | | 1 | 1 | 80 523 93 |
| | | 1 | 1 | 80 082 61 |
| 5 | 1 | 1 | 1 | 80 520 87- |
| 6 | 1 | 1 | 1 | 80 523 44 |
| 7 | 1 | 1 | 1 | 80 523 45 |
| 8 | 2 | 2 | 2 | 80 520 79 |
| 9 | 2 | 2 | 2 | 80 520 80 |
| 10 | 2 | 2 | 2 | 80 521 08 |



ASKO CYLINDA

| | |
|---------------------------------|-------------------|
| Datum 1992-06 Date | DISKSYSTEM |
|---------------------------------|-------------------|

| Fig. | Antal Qty | | | Detalj nr |
|------|-----------|------|------|------------|
| | 1303 | 1473 | 1503 | Part No. |
| 36 | 1 | 1 | 1 | 80 007 28 |
| 37 | 2 | 2 | 2 | 80 518 03 |
| 38 | 1 | 1 | 1 | 80 002 14 |
| 39 | 2 | 2 | 2 | 89 014 13 |
| 40 | 2 | 2 | 2 | 80 531 45- |
| 41 | 2 | 2 | 2 | 88 009 63 |
| | 2 | 2 | 2 | 88 009 62 |
| | 2 | 2 | 2 | 88 010 49 |
| 42 | 2 | 2 | 2 | 88 007 99 |
| 43 | 1 | 1 | 1 | |
| 44 | | 1 | 1 | 80 557 98- |
| 45 | 1 | 1 | 1 | 80 053 01 |



ASKO CYLINDA

| | |
|---------------------------------|------------------------|
| Datum 1992-06 Date | ELEKTRISK UTRUS |
|---------------------------------|------------------------|

| Fig. | Antal Qty | | | Detalj nr |
|------|-----------|------|------|--------------|
| | 1303 | 1473 | 1503 | Part No. |
| 1 | 1 | * | * | 80 561 08 |
| 2 | 1 | * | * | 80 551 38 |
| 3 | 1 | 1 | 1 | 80 530 00 |
| 4 | 1 | 1 | 1 | 80 508 93 |
| 5 | 1 | 1 | 1 | 80 554 73 |
| 6 | 1 | 1 | | 80 546 56- |
| | | | 1 | 80 546 31- |
| 7 | 1 | * | * | 80 561 77-UL |
| | 1 | | | 80 330 33-UL |
| | 1 | | | 80 562 52-UL |
| 8 | 1 | | | 80 561 11 |



5



4



40

6

ASKO CYLINDA

| | |
|---------------------------------|-----------------------|
| Datum 1992-06 Date | ELEKTRISK UTRU |
|---------------------------------|-----------------------|

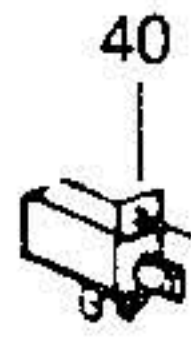
| Fig. | Antal Qty | | | Detalj nr |
|-----------|-----------|----------|----------|------------------|
| | 1303 | 1473 | 1503 | Part No. |
| 31 | 1 | 1 | 1 | 80 514 77 |
| 32 | 1 | 1 | 1 | 80 052 96 |
| 33 | 1 | 2 | 2 | 80 556 49 |
| 34 | 1 | | | 80 015 43 |
| 35 | 1 | 1 | 1 | 80 024 63 |
| 36 | | 1 | 1 | 89 014 19 |
| 37 | 1 | 1 | 1 | 89 014 15 |
| 38 | 1 | 1 | 1 | 89 012 53 |
| 39 | 5 | 5 | 5 | 89 014 13 |
| 40 | 1 | 1 | 1 | 80 548 98 |
| 41 | 1 | 1 | 1 | 89 023 00 |



5



4



40

6

ASKO CYLINDA

| | |
|---------------------------------|---------------------------|
| Datum 1992-06 Date | INVÄNDIG BELYSNING |
|---------------------------------|---------------------------|

| Fig. | Antal Qty | | | Detalj nr | B |
|------|-----------|------|------|-----------|---|
| | 1303 | 1473 | 1503 | Part No. | |
| 1 | | | 1 | 80 530 86 | L |
| 2 | | | 1 | 89 017 63 | C |
| 3 | | | 1 | 80 530 87 | L |
| 4 | | | 1 | 80 549 15 | S |
| 5 | | | 1 | 80 549 16 | F |
| 6 | | | 2 | 89 015 92 | C |
| 7 | | | 1 | 89 012 33 | M |
| 8 | | | 1 | 80 551 48 | L |
| 9 | | | 1 | 89 014 13 | L |
| 10 | | | 1 | 89 009 45 | S |
| 11 | | | 2 | 80 502 19 | K |

