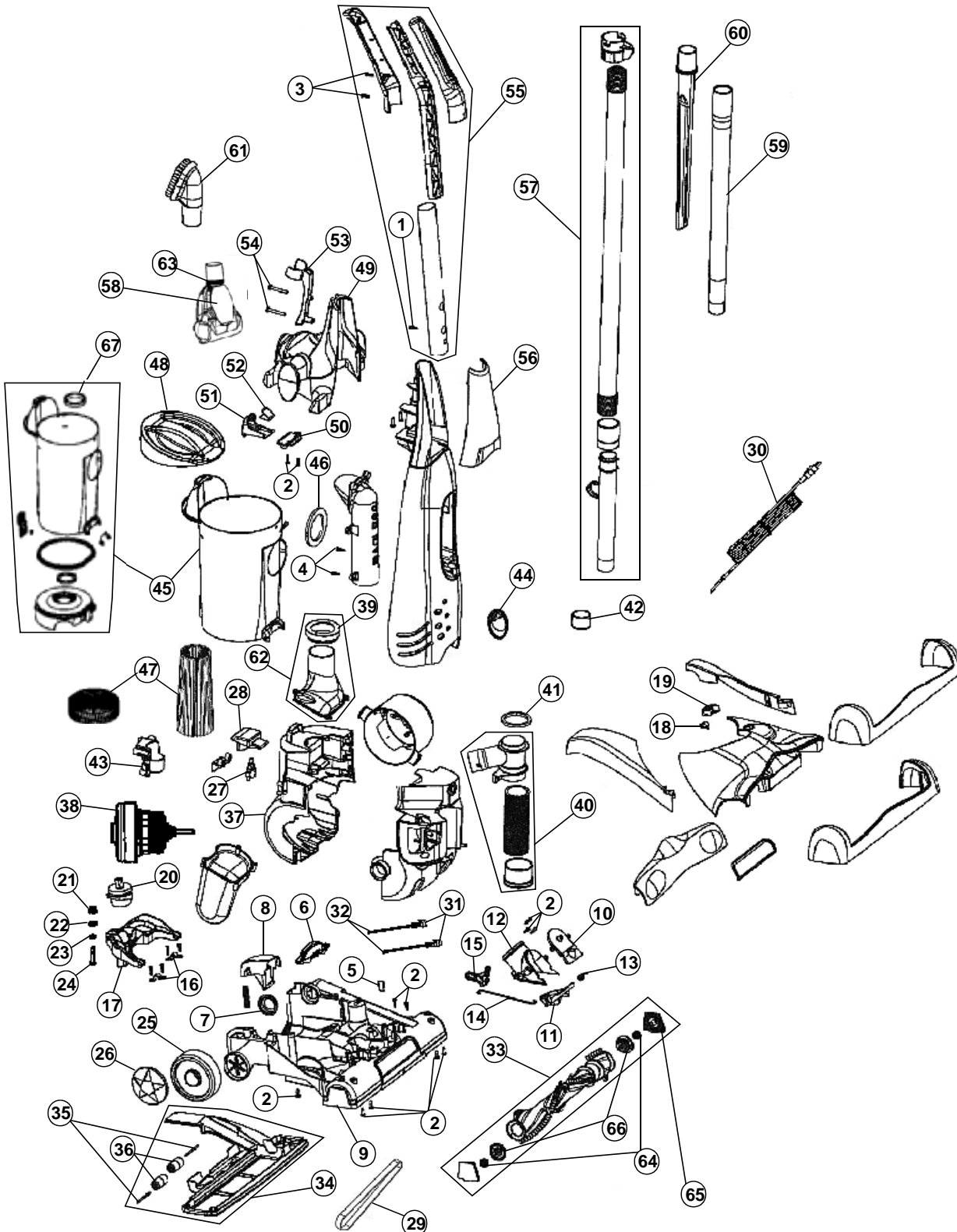


Assembly Schematic





Item	Part Number	Models To Fit	Part Description	Ne
1	RO-089507	091600, 091950, 091950A	HANDLE SCREW	
2	RO-503819	091600, 091950, 091950A	BODY SCREW 8-10 X 5/8 #6	
3	RO-UC0004	091600, 091950, 091950A	SCREW 8-32 X 1/2	
4	RO-UC0006	091600, 091950, 091950A	SCREW 10-24 X .625	
5	RO-720380	091600, 091950, 091950A	BELT GUIDE CLIP	
6	RO-820351	091600, 091950, 091950A	PIVOT CLAMP	
7	RO-881060	091600, 091950, 091950A	PIVOT SEAL	
8	RO-UC0210	091600, 091950, 091950A	HANDLE RELEASE PEDAL	
9	RO-UC0200	091600, 091950, 091950A	NOZZLE BASE	
10	RO-UC0212	091600, 091950, 091950A	DIRT PASSAGE COVER	
11	RO-UC0213	091600, 091950, 091950A	DIRT PASSAGE DOOR	
12	RO-UC0214	091600, 091950, 091950A	DIRT PASSAGE TUBE	
13	RO-UC0215	091600, 091950, 091950A	DIRT PASSAGE DOOR SPRING	
14	RO-UC0216	091600, 091950, 091950A	DOOR LINKAGE	
15	RO-UC0217	091600, 091950, 091950A	LINKAGE ACTUATOR	
16	RO-UC0219	091600, 091950, 091950A	ROLLER LIFTER CLAMP	
17	RO-UB0805	091600, 091950, 091950A	HEIGHT ADJUST LIFTER	
18	RO-UC0225	091600, 091950, 091950A	HEIGHT ADJUST PLUG	
19	RO-UC0224	091600, 091950, 091950A	HEIGHT ADJUST KNOB	
20	RO-UB0810	091600, 091950, 091950A	HEIGHT ADJUST CAM	
21	RO-910298	091600, 091950, 091950A	HEIGHT ADJUST BUSHING	
22	RO-910296	091600, 091950, 091950A	WASHER	
23	RO-910297	091600, 091950, 091950A	HEIGHT ADJUST WASHER	
24	RO-910400	091600, 091950, 091950A	HEIGHT ADJUST SCREW	
25	RO-LC0095	091600, 091950, 091950A	REAR WHEEL	
26	RO-UC0240	091600, 091950, 091950A	REAR AXLE/CAP	
27	RO-860081	091600, 091950, 091950A	POWER SWITCH	
28	RO-UC0235	091600, 091950, 091950A	SWITCH PEDAL	
29	RO-LC0011	091600, 091950, 091950A	STYLE 12 BELT	
30	RO-LC0610	091600, 091950, 091950A	POWER CORD	
31	RO-920906	091600, 091950, 091950A	BULB #906	
32	RO-LC0600	091600, 091950, 091950A	SOCKET ASSEMBLY	
33	RO-UC0221	091600, 091950, 091950A	BRUSH ROLL ASSEMBLY	
34	RO-UB0825	091600, 091950, 091950A	NOZZLE GUARD ASSEMBLY	
35	RO-UC0209	091600, 091950, 091950A	AXLE PIN	
36	RO-LD0815	091600, 091950, 091950A	ROLLER	



Item	Part Number	Models To Fit	Part Description	Net
37	RO-UC0121	091600, 091950, 091950A	REAR MOTOR HOUSING	
38	RO-JE1120	091600, 091950, 091950A	MOTOR ASSEMBLY	
39	RO-UC0007	091600, 091950, 091950A	INLET GASKET	
40	RO-UC0154	091600, 091950, 091950A	LOWER HOSE ASSEMBLY	
41	RO-UC0009	091600, 091950, 091950A	DIRT TUBE LOWER GASKET	
42	RO-UC0150	091600, 091950, 091950A	LOWER WAND SUPPORT	
43	RO-UC0140	091600, 091950, 091950A	LOWER TOOL CADDY	
44	RO-UC0142	091600, 091950, 091950A	CORD HOOK	
45	RO-UC0100	091600, 091950A	DIRT CUP ASSEMBLY	
	RO-UD0160	091950	DIRT CUP ASSEMBLY	
46	RO-UC0107	091600, 091950, 091950A	UPPER DIRT TUBE GASKET	
47	RO-JC0360	091600, 091950A	F1 / HEPA FILTER ASSEMBLY	
	RO-UD0280	091950	F8 / HEPA FILTER ASSEMBLY	
48	RO-UC0100	091600, 091950A	DIRT CUP LID ASSEMBLY	
	RO-UD0165	091950	DIRT CUP LID ASSEMBLY	
49	RO-UC0012	091600, 091950, 091950A	UPPER TOOL CADDY	
50	RO-UC0015	091600, 091950, 091950A	DIRT CUP LATCH CLAMP	
51	RO-UC0104	091600, 091950, 091950A	DIRT CUP LATCH	
52	RO-UC0106	091600, 091950, 091950A	DIRT CUP LATCH SPRING	
53	RO-UC0013	091600, 091950, 091950A	TURBO TOOL CADDY CLIP	
54	RO-UC0005	091600, 091950, 091950A	SCREW 8-16 X 1-1/2	
55	RO-UC0050	091600, 091950, 091950A	UPPER HANDLE ASSEMBLY	
56	RO-UC0010	091600	UPPER HANDLE CLAMP	
57	RO-UC0350	091600, 091950, 091950A	UPPER HOSE ASSEMBLY	
58	RO-UTT000	091600, 091950, 091950A	TURBO TOOL ASSEMBLY	
59	RO-863365	091600, 091950, 091950A	EXTENSION WAND	
60	RO-UC0020	091600, 091950, 091950A	CREVICE TOOL	
61	RO-JC0255	091600, 091950, 091950A	DUST BRUSH ASSEMBLY	
62	RO-UC0132	091600, 091950, 091950A	MOTOR INLET DUCT w/GASKET	
63	RO-UTT030	091600, 091950, 091950A	TURBO TOOL LOCK NUT RING	
64	RO-727226	091600, 091950, 091950A	BRUSH BEARING	
65	RO-910380	091600, 091950, 091950A	END CAP	
66	RO-910385	091600, 091950, 091950A	BEARING SUPPORT	
67	RO-UD0197	091950	INNER SEAL - DIRT CUP	