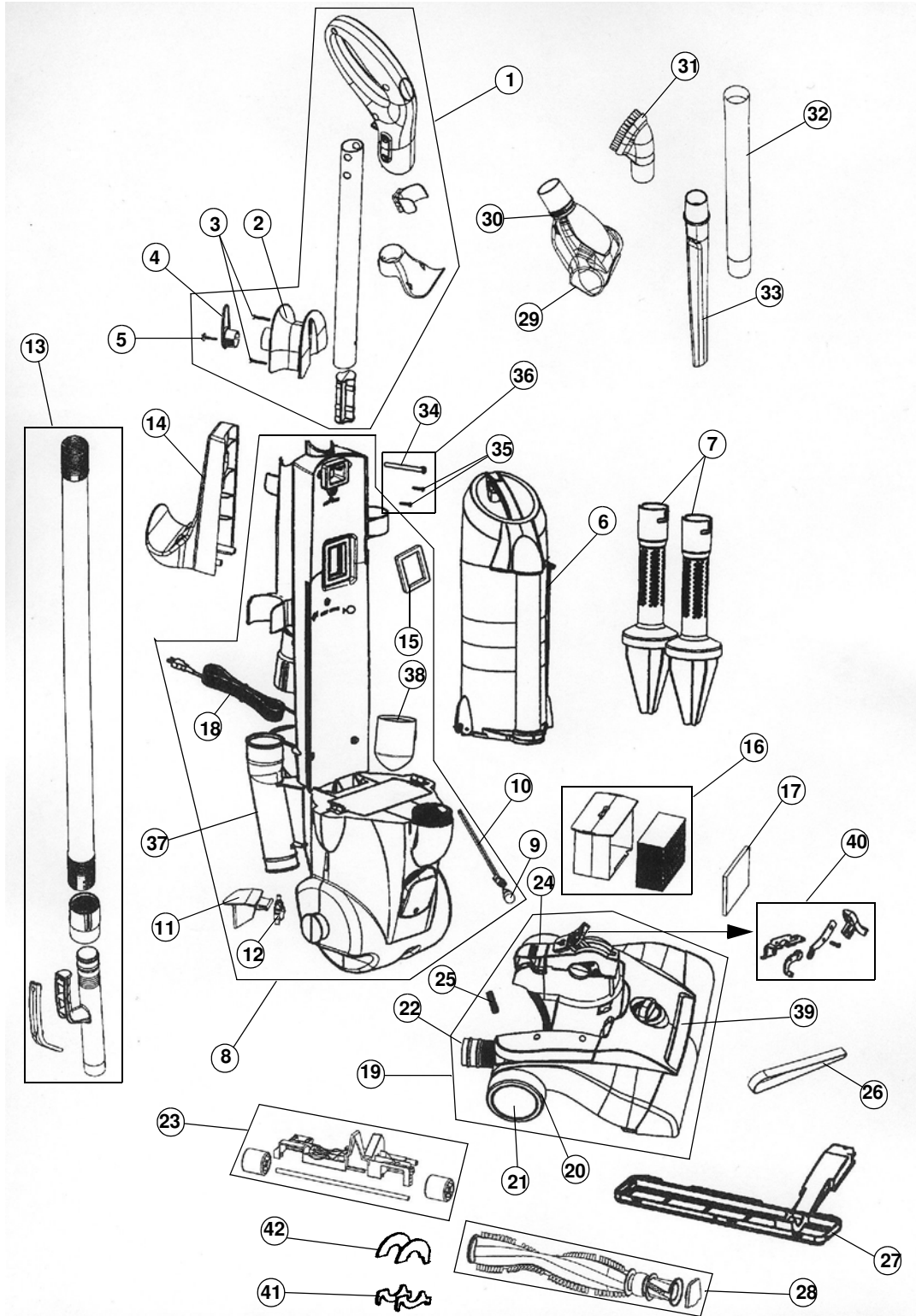


ASSEMBLY SCHEMATIC

MODEL NO.

110008
110009





30

MODEL No.

110008
110009

Item	Part Number	Models To Fit	Part Description
1	2LK0005BV0	110008	HANDLE ASSEMBLY
	2LK0005	110009	HANDLE ASSEMBLY
2	1LK0610300	110008, 110009	UPPER TOOL CADDY
3	1250100000	110008, 110009	BODY SCREW
4	1LK0620300	110008, 110009	CORD HOOK - GREY
5	1QC0990000	110008, 110009	CORD HOOK SCREW
6	2LK0200BV0	110008	DIRT CUP ASSEMBLY
	2LK0200	110009	DIRT CUP ASSEMBLY
7	1LK0215000	110008, 110009	AIR DIRECTOR
8	2LK0500600	110008	MAIN BODY ASSEMBLY W/MOTOR
	2LK0500	110009	MAIN BODY ASSEMBLY W/MOTOR
9	1920906000	110008, 110009	BULB #906
10	2JK0600000	110008, 110009	SOCKET ASSEMBLY
11	1JK0115000	110008, 110009	SWITCH PEDAL
12	1860081000	110008, 110009	SWITCH
13	2LK0700600	110008, 110009	UPPER HOSE ASSEMBLY
14	1LK0606600	110008, 110009	CARRY HANDLE
15	1LS0325600	110008, 110009	DIRT CUP INLET GASKET
16	2LK0540000	110008, 110009	F-13 HEPA FILTER - EXHAUST
17	1LK0545000	110008, 110009	FOAM FILTER
	1LK5613170	110008, 110009	FOAM FILTER - ANTI MICROBIAL
	3LK0547000	110008, 110009	SCENTED FOAM FILTER APPLE CINN (1 PER)
	3LK0548000	110008, 110009	SCENTED FOAM FILTER FRESH/CLEAN (1PER)
18	2997232600	110008, 110009	POWER CORD
19	2LU0006000	110008	NOZZLE COVER AND BASE ASSEMBLY
	2LU0006	110009	NOZZLE COVER AND BASE ASSEMBLY
20	1881065600	110008	REAR WHEEL
		110008, 110009	REAR WHEEL
21	1881070000	110008, 110009	HUB CAP
22	2JI0060Q00	110008, 110009	LOWER HOSE ASSEMBLY
23	2JI0030600	110008	ROLLER LIFTER ASSEMBLY
		110009	ROLLER LIFTER ASSEMBLY
24	1LU0040000	110008, 110009	HANDLE RELEASE PEDAL
25	1JC0070000	110008, 110009	HANDLE RELEASE PEDAL SPRING
26	1540310001	110008, 110009	STYLE 5 BELT



30

MODEL No.

110008

110009

Item	Part Number	Models To Fit	Part Description
27	1LU0015600	110008, 110009	NOZZLE GUARD - 15"
28	2LU0055600	110008, 110009	BRUSH ROLL ASSEMBLY
29	2UTT000000	110008, 110009	TURBO TOOL ASSEMBLY
	1UTT020000	110008, 110009	BELT - TURBO TOOL
30	1UTT030000	110008, 110009	LOCK RING - TURBO TOOL
31	2JC0255600	110008, 110009	2 IN 1 BRUSH ASSEMBLY
32	1JC0245600	110008, 110009	EXTENSION WAND
33	1JC0250600	110008, 110009	CREVICE TOOL
34	1690325000	110008, 110009	HANDLE SCREW
35	1720430000	110008, 110009	SCREW - TOOL CADDY
36	2690325000	110008, 110009	HANDLE SCREW ASSEMBLY
37	1LK0510600	110008, 110009	LOWER HOSE ADAPTOR
38	1LK0575600	110008, 110009	WAND SUPPORT
39	1JI0006Q00	110008, 110009	NOZZLE HOUSING WINDOW
40	2LU1000000	110008, 110009	BRUSH ROLL SHUT OFF ASSEMBLY
41	1LU1000000	110008, 110009	FELT - NOZZLE GUARD 2 PER
42	1LU2000000	110008, 110009	FELT - BRUSH ROLL WINDOW 2 PER