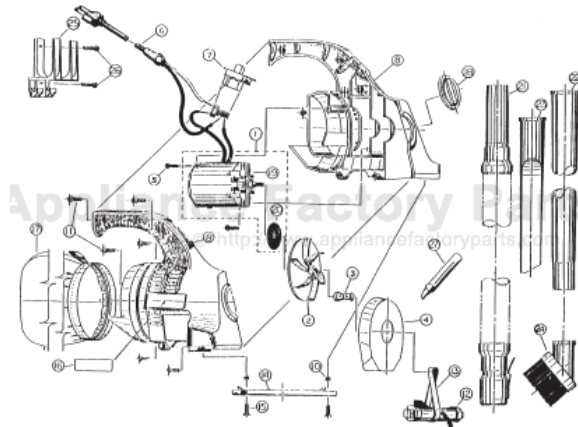


This Owner's Manual is provided and hosted by Appliance Factory Parts.



Royal 500 Owner's Manual

[Shop genuine replacement parts for Royal 500](#)



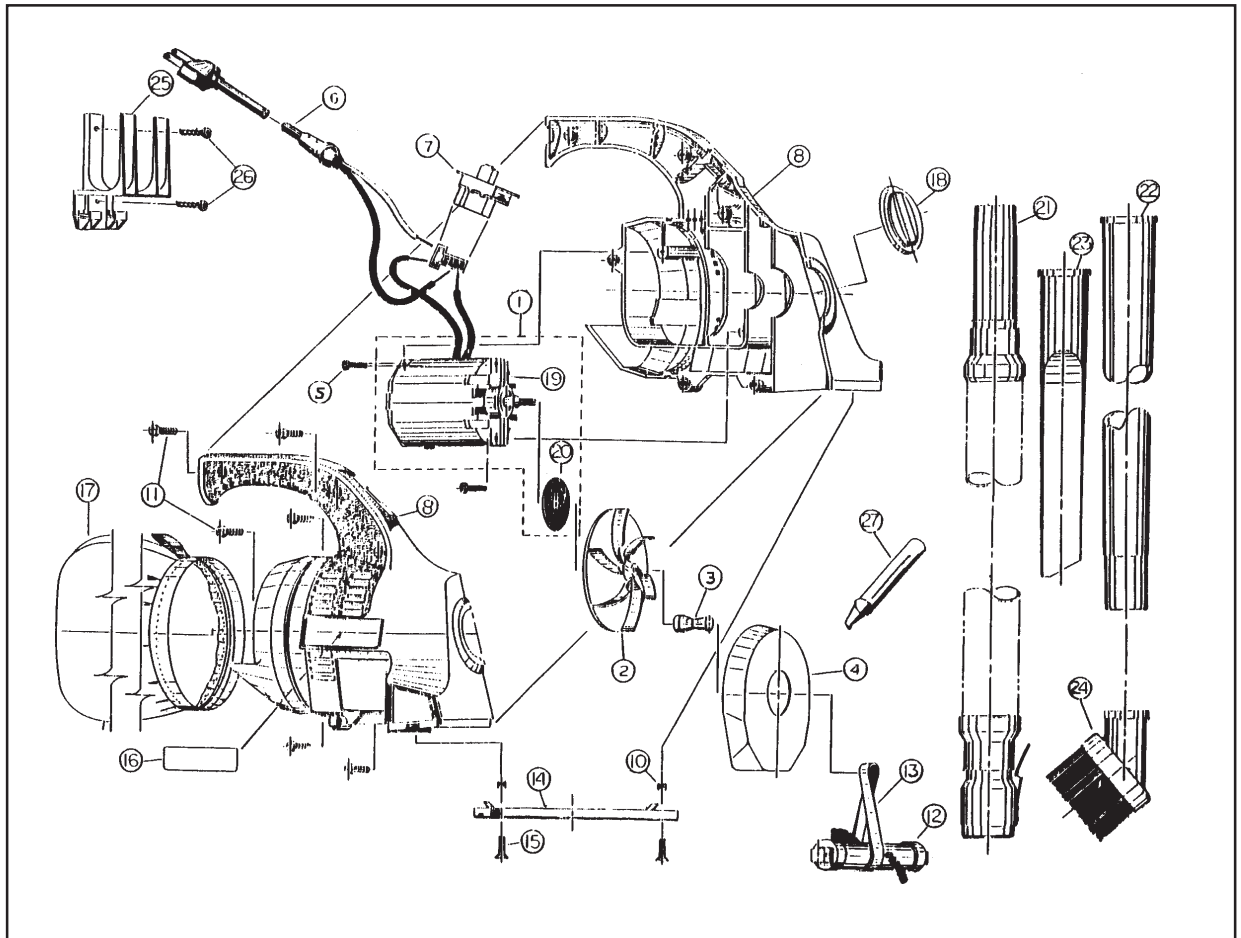
[Find Your Royal Vacuum Cleaner Parts - Select From 772 Models](#)

----- Manual continues below -----

Original & Replacement

ROYAL

DIRT DEVIL HAND VAC Model: 103, 500, 513 Series B



| KEY | PART NO. | DESCRIPTION | KEY | PART NO. | DESCRIPTION |
|-----|-----------------|--|-----|------------------|----------------------------------|
| 1 | NLA | Motor & Seal Ass'y (Order Part # RO-503700) | 17 | RO-050340 | Bag, Dust Ass'y Red 103 |
| 2 | RO-503004 | Fan | 17 | NLA | Bag, Dust Ass'y Black/Yellow 500 |
| 3 | RO-503261 | Shaft | 17 | NLA | Bag, Dust Ass'y Black 513 |
| 4 | RO-503791 | Shield, Stone | 18 | RO-501744 | Belt Cover, Hand Vacs |
| 5 | RO-503618 | Screw (Motor) | 19 | RO-503700 | Motor Ass'y |
| 6 | NLA | Cord 20' 2 Wire Black (Order O-720-9802) | 20 | RO-503266 | Felt Seal |
| 6 | NLA | Cord 20' 2 Wire Black (Order O-720-9802) | 21 | NLA | Hose Ass'y White |
| 7 | RO-503303 | Switch 1 Speed | 21 | RO-050284-3 | Hose Ass'y Black |
| 7 | NLA | Switch 2 Speed | 22 | RO-050277-3 | Wand Black |
| 8 | RO-503100-5 | Housing, (Red) 103/503 | 22 | RO-050277-1 | Wand White |
| 8 | RO-503100-3 | Housing, (Black) 500/513 | 23 | NLA | Crevice Tool Black |
| 8 | RO-503100-6 | Housing (Blue) 533 | 23 | FA-5400-3 | Crevice Tool Black |
| 10 | RO-503019 | On-Sert | 23 | RO-502801-1 | Crevice Tool White |
| 11 | RO-503819 | Screw (Body) | 23 | FA-5400-1 | Crevice Tool White |
| 12 | RO-050221 | Brushroll | 24 | RO-050282-3 | Dust Brush Black |
| 13 | RO-157260 | Belt | 24 | FA-5300-3 | Dust Brush Black |
| 13 | ROR-1040 | Belt | 24 | NLA | Dust Brush White |
| 14 | NLA | Guard, Nozzle | 24 | FA-5300-1 | Dust Brush White |
| 15 | NLA | Screw (Guard) | 25 | RO-500006 | Bracket, Wall Mounting |
| 16 | RO-503706 | Label Dirt Devil 103 | 26 | RO-503010 | Screws, Package |
| 16 | RO-500706 | Label Series 500 | 27 | RO-880262 | Belt Lifter |
| 16 | RO-503707 | Label Dirt Devil Plus | | RO-503600 | Shoulder Strap Hand Vac |
| 16 | RO-513707 | Label 513 | | NLA | Paper Bag Adaptor With 2 Bags |