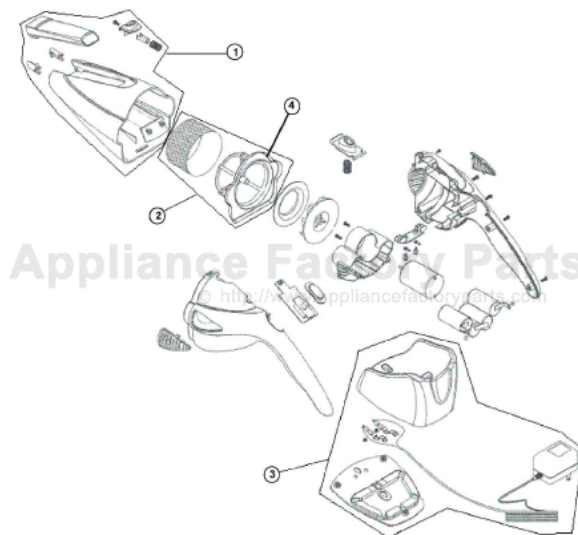


This Owner's Manual is provided and hosted by [Appliance Factory Parts](#).



Royal BD10035E Owner's Manual

[Shop genuine replacement parts for Royal BD10035E](#)



[Find Your Royal Vacuum Cleaner Parts - Select From 772 Models](#)

----- Manual continues below -----

Dirt Devil

Breeze

CORDLESS

Scorpion™

JAGUAR

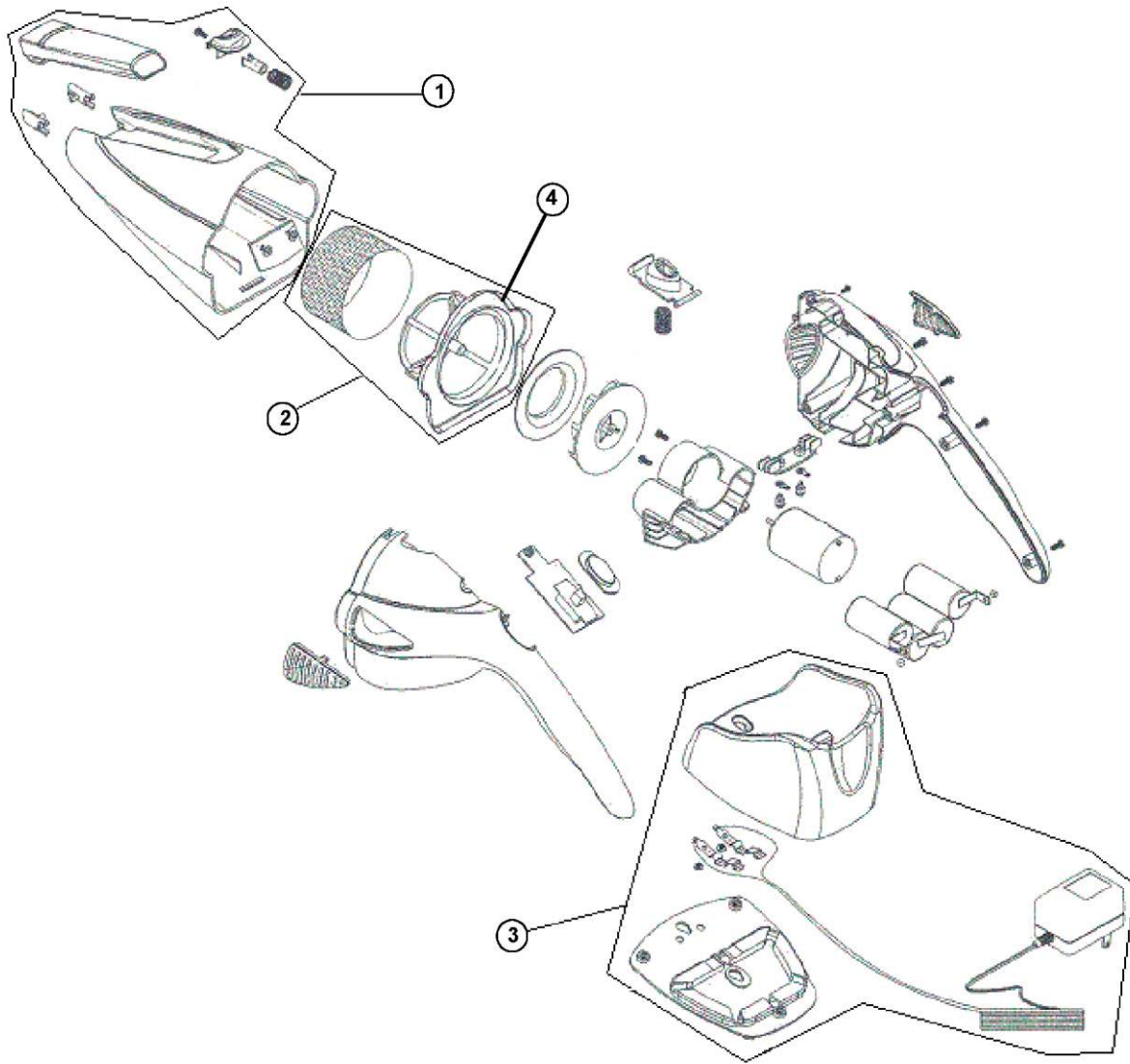
Scorpion
cordless

« VIBE »

Easy Lite™

Quick Power.

ASSEMBLY SCHEMATIC



- 0880
- 0880DV
- 0881
- 0882
- 0883
- 0886(X)
- 0887(X)
- 0888VX
- BD10025
- BD10035RED
- BD10035E EBONY
- BD10035P ROSE
- BD10035R RED
- BD10050RED



Breeze
CORDLESS



Easy Lite™

Quick Power.

Item	Part Number	Model's To Fit	Part Description
1	2088559000	0880, 0886, 0880DV	DUST CUP ASSEMBLY - black
	2MB1000000	0881,0882	DUST CUP ASSEMBLY - silver
		0883, BD10025	DUST CUP ASSEMBLY - SMOKE
		0887	DUST CUP ASSEMBLY - RED
		0888VX	DUST CUP ASSEMBLY - BLUE
		BD10035, BD10050, BD10035R	DUST CUP ASSEMBLY - RED
		BD10035E	DUST CUP ASSEMBLY - EBONY
		BD10035P	DUST CUP ASSEMBLY - ROSE
		2	3088570001
3ME1950001	ALL		F-4 / UNIVERSAL FILTER ONLY 2 PACK
			ALSO NEED #4 FILTER ADAPTOR
3	2088572000	0880	CHARGER ASSEMBLY - 4.8 VOLT
	2MB3897000	0881	CHARGER ASSEMBLY - 6 VOLT
		0886, 0887, BD10050	CHARGER ASSEMBLY - 6 VOLT
	2MB3897000	BD10025	CHARGER ASSEMBLY - 6 VOLT MFG PRIOR TO 3/10
		0882, 0883, 0888VX, BD10035, BD10035E, BD10035P, BD10035R	CHARGER ASSEMBLY - 7.2 VOLT
	2MB4990000	BD10025	CHARGER ASSEMBLY - 7.2 VOLT MFG AFTER 3/10
2088592000	0880DV	CHARGER ASSEMBLY - DUAL VOLTAGE	
4	1MB1960B00	ALL	FILTER ADAPTOR
	2088507000	ALL	SCREW PKG - CHAGER ADAPTOR

0880
0880DV
0881
0882
0883
0886(X)
0887(X)
0888VX
BD10025
BD10035RED
BD10035E EBONY
BD10035P ROSE
BD10035R RED
BD10050RED