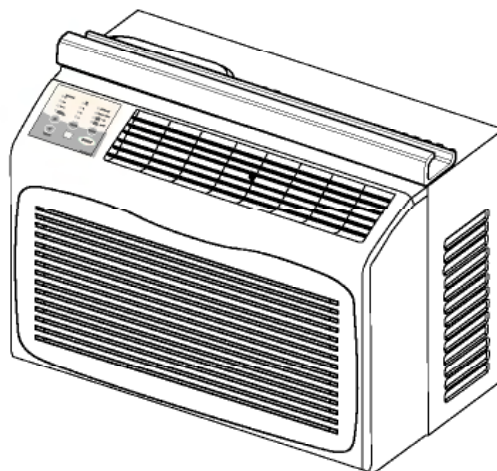


SEARS

Kenmore[®]
ROOM AIR CONDITIONER

**REPAIR
PARTS
LIST**

Model No.
580.74055400



To Call
Toll Free
For Parts:

1-800-366-PART
(1-800-366-7278)

For Service:

1-800-4-MY-HOME
(1-800-469-4663)

The model number of your Air Conditioner can be found on the left side of the front grille.

All repair parts listed are available for immediate purchase or special order when you visit your nearest Sears Service Center, or the Service Department at most Sears stores. To order parts by phone, call the toll free parts number listed to the left.

When requesting service or ordering parts, always provide the following information:

- ◆ Product Type
- ◆ Part Number
- ◆ Model Number
- ◆ Part Description

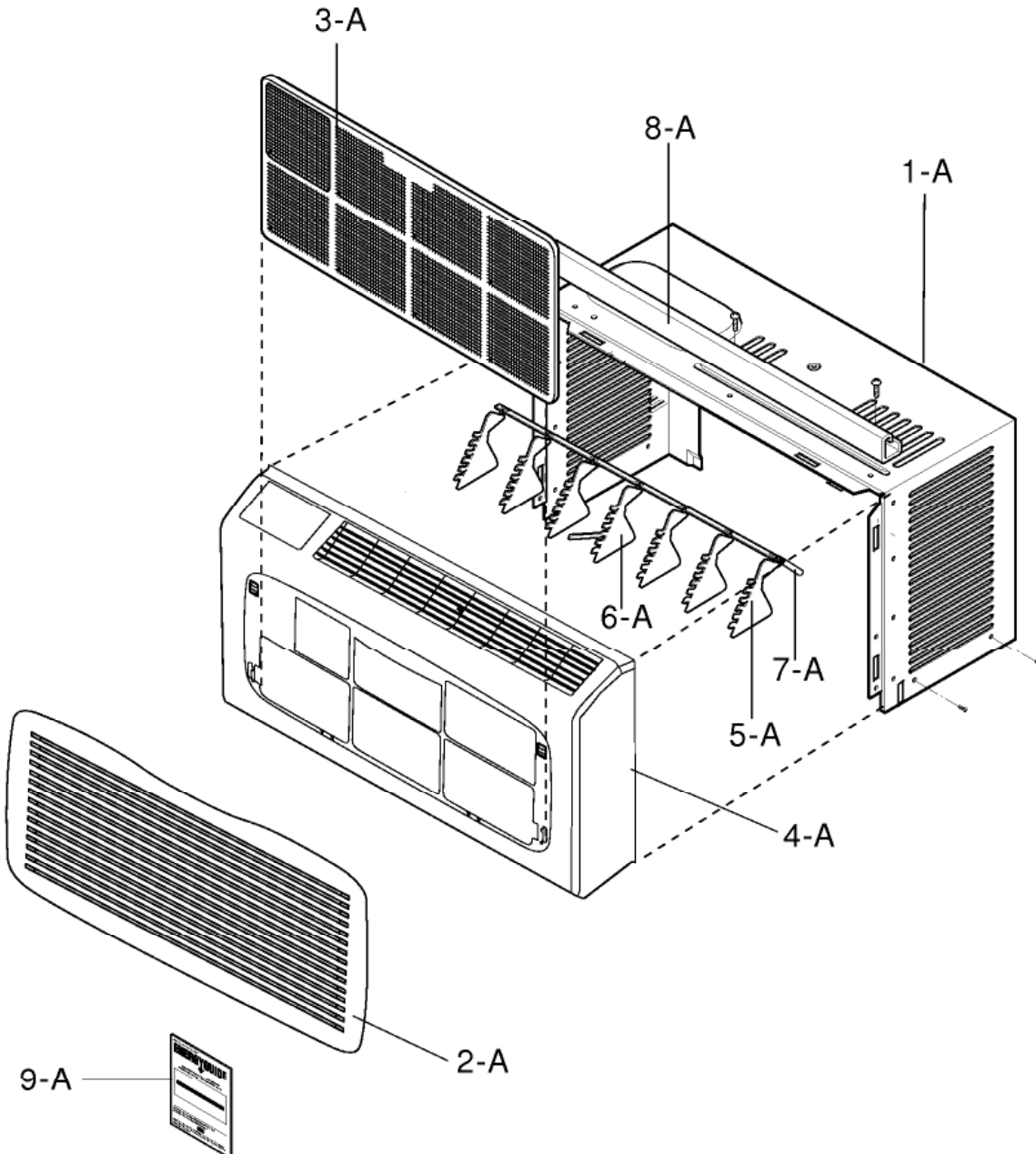
REPAIR PARTS

Room Air Conditioner
Model No. 580.74055400

To order Parts call Toll Free
1-800-4-MY-HOME®(1-800-469-4663)

CAUTION: Use the Kenmore part number on all orders, **not** the illustration number.

CABINET & FRONT GRILLE ASSEMBLY



CAUTION: Use the Kenmore part number on all orders, **not** the illustration number.

CABINET & FRONT GRILLE ASSEMBLY

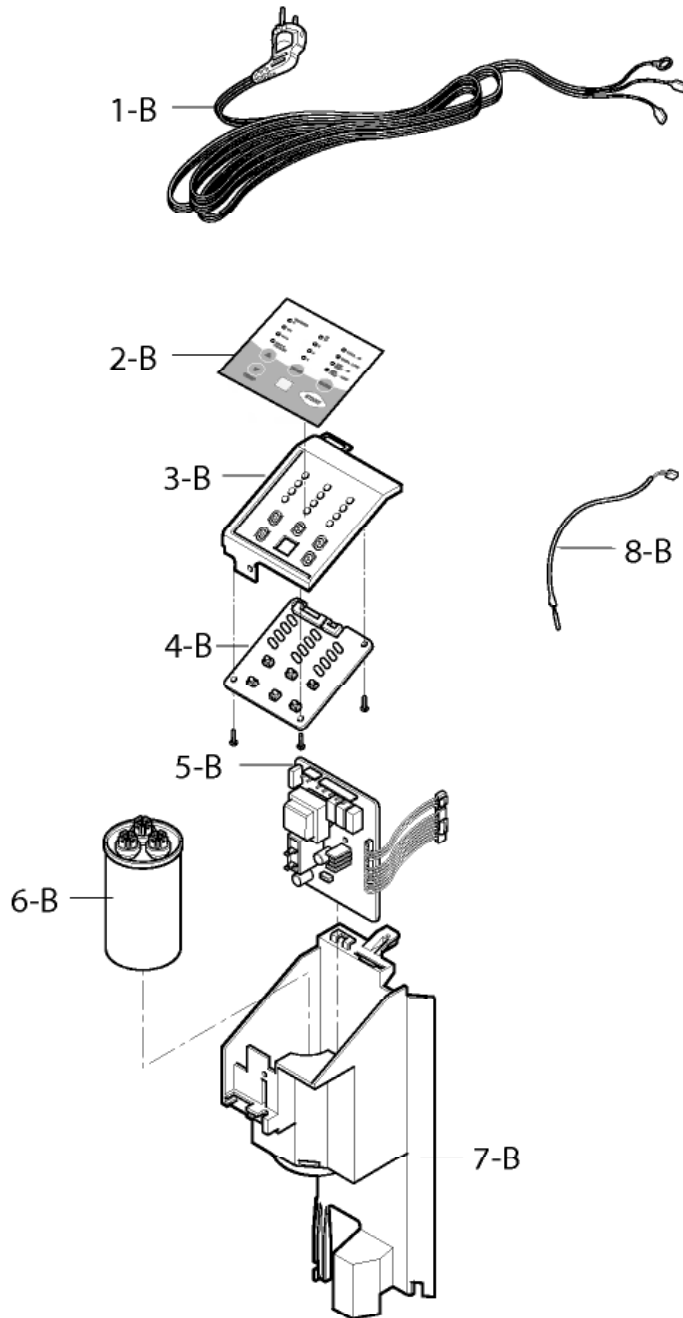
ILLUSTRATION NUMBER	PART NUMBER	DESCRIPTION
1 - A	3091A10055A	CABINET ASSEMBLY
2 - A	3530A10192A	GRILLE, INLET
3 - A	5231A20021A	AIR FILTER ASSEMBLY
4 - A	3530A10191A	GRILLE, FRONT
5 - A	4758A30041A	VANE
6 - A	4758A30041B	VANE
7 - A	4520A30065A	LINK HOLDER
8 - A	4974A30066B	UPPER GUIDE
9 - A	3850A24012B	ENERGY GUIDE LABEL
*	3828A21004E	OWNER'S MANUAL

= Functional Parts

* = Non-Illustrated Parts

CAUTION: Use the Kenmore part number on all orders, **not** the illustration number.

CONTROL BOX ASSEMBLY



CAUTION: Use the Kenmore part number on all orders, **not** the illustration number.

CONTROL BOX ASSEMBLY

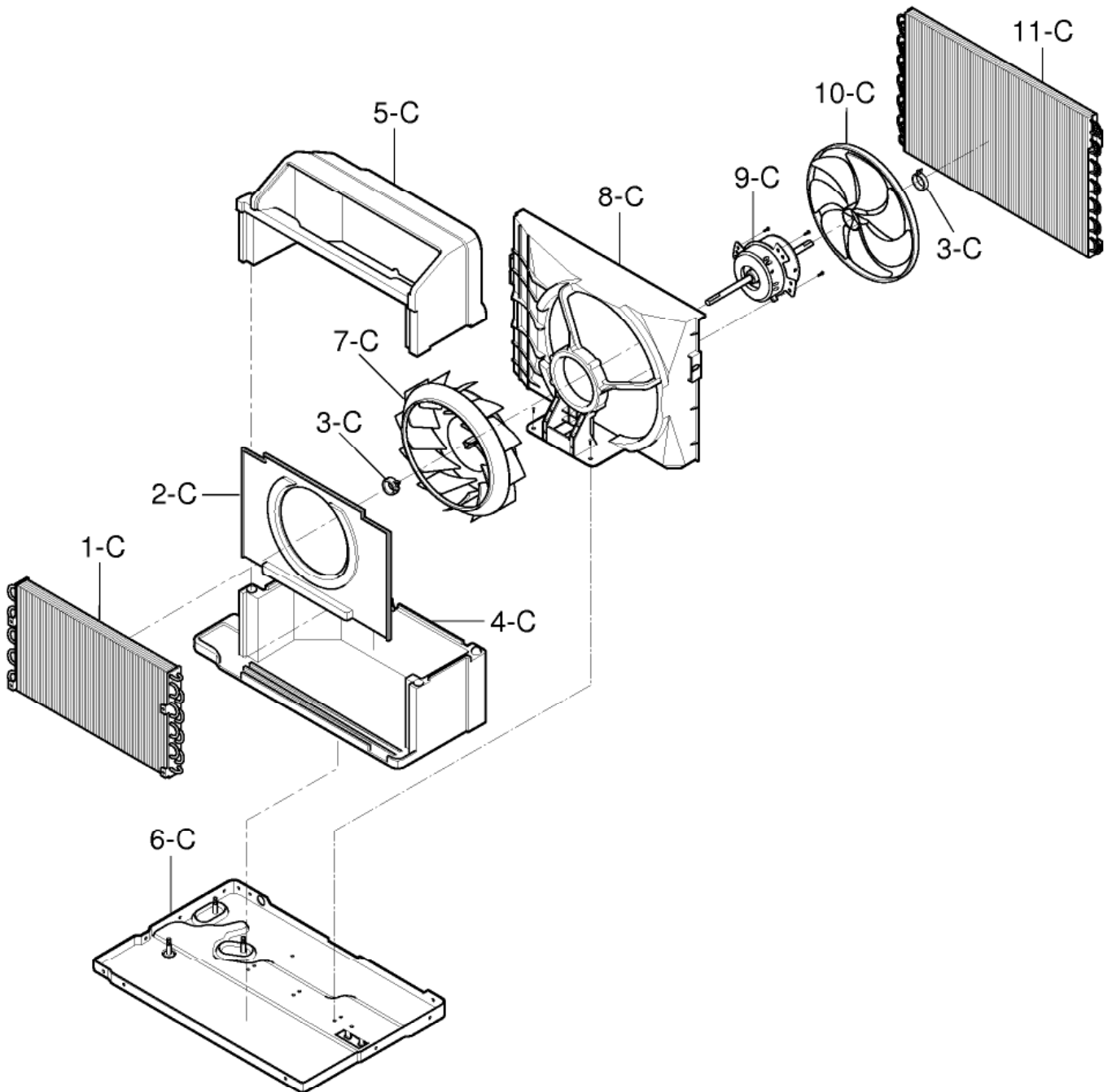
ILLUSTRATION NUMBER	PART NUMBER	DESCRIPTION
1 - B #	6411A20038A	POWER CORD ASSEMBLY
2 - B	3831A10038B	ESCUTCHEON
3 - B	3720A30099A	PANEL, CONTROL
4 - B	6871A20499A	PWB(PCB) ASSEMBLY, DISPLAY
5 - B	6871A10129E	PWB(PCB) ASSEMBLY, MAIN
6 - B #	0CZZA20005B	CAPACITOR
7 - B	4994A10062A	CONTROL BOX, SINGLE
8 - B #	6323A20004R	THERMISTOR ASSEMBLY

= Functional Parts

* = Non-illustrated Parts

CAUTION: Use the Kenmore part number on all orders, **not** the illustration number.

AIR HANDLING & CYCLE PARTS



CAUTION: Use the Kenmore part number on all orders, not the illustration number.

AIR HANDLING & CYCLE PARTS

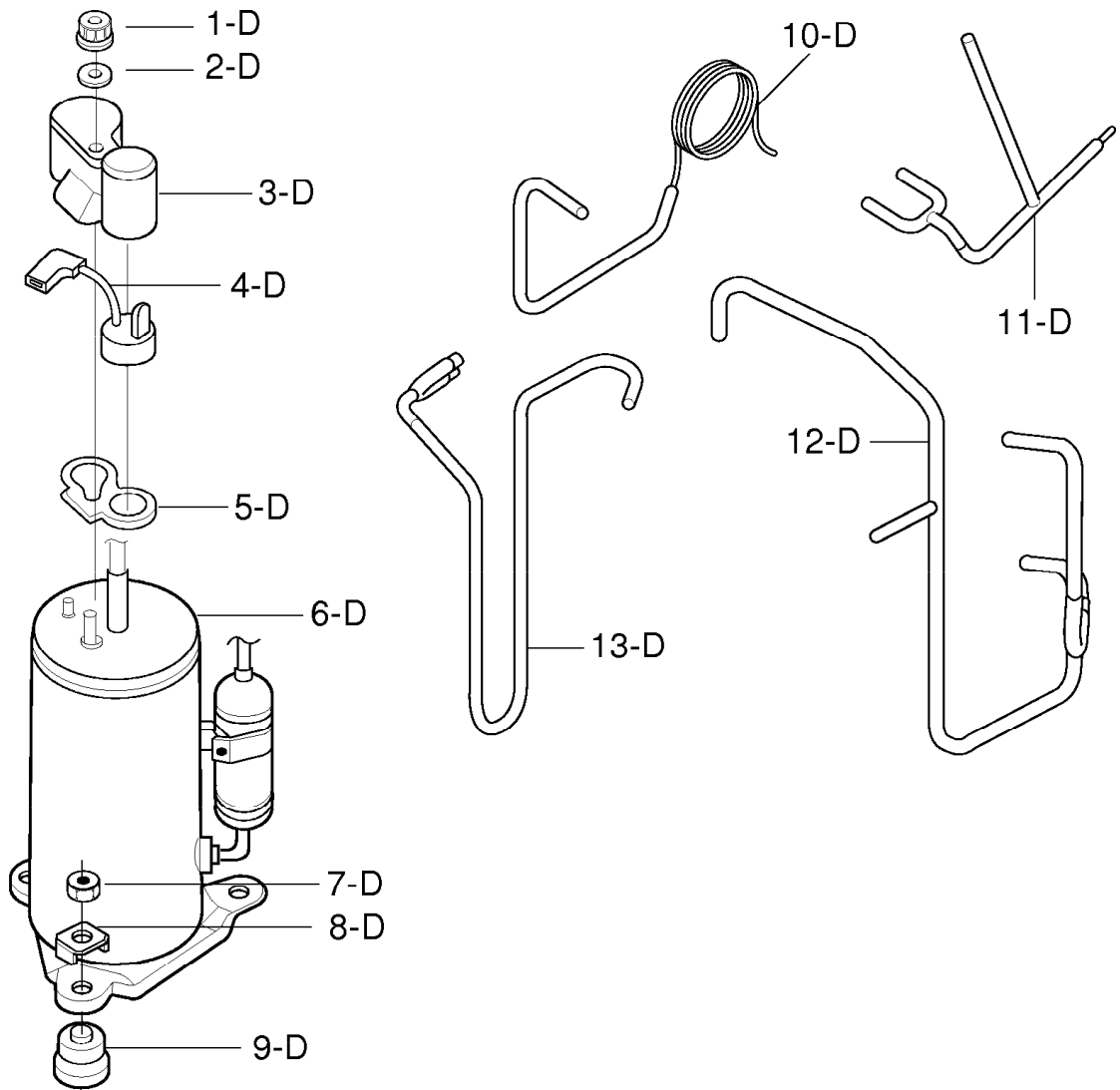
ILLUSTRATION NUMBER	PART NUMBER	DESCRIPTION
1 - C #	5421A20176C	EVAPORATOR ASSEMBLY
2 - C	4948A20031B	ORIFICE
3 - C	3H02932B	CLAMP, SPRING
4 - C	5238A10026A	AIR GUIDE, LOWER
5 - C	5238A10025A	AIR GUIDE, UPPER
6 - C	3041A10040A	BASE ASSEMBLY, SINGLE
7 - C #	5900A20040A	FAN, TURBO
8 - C	4998A10028A	SHROUD
9 - C #	4681A20116E	MOTOR ASSEMBLY, SINGLE
10 - C #	5900A20042A	FAN, AXIAL
11 - C #	5403A20174A	CONDENSER ASSEMBLY

= Functional Parts

* = Non-Illustrated Parts

CAUTION: Use the Kenmore part number on all orders, **not** the illustration number.

COMPRESSOR PARTS



CAUTION: Use the Kenmore part number on all orders, **not** the illustration number.

COMPRESSOR PARTS

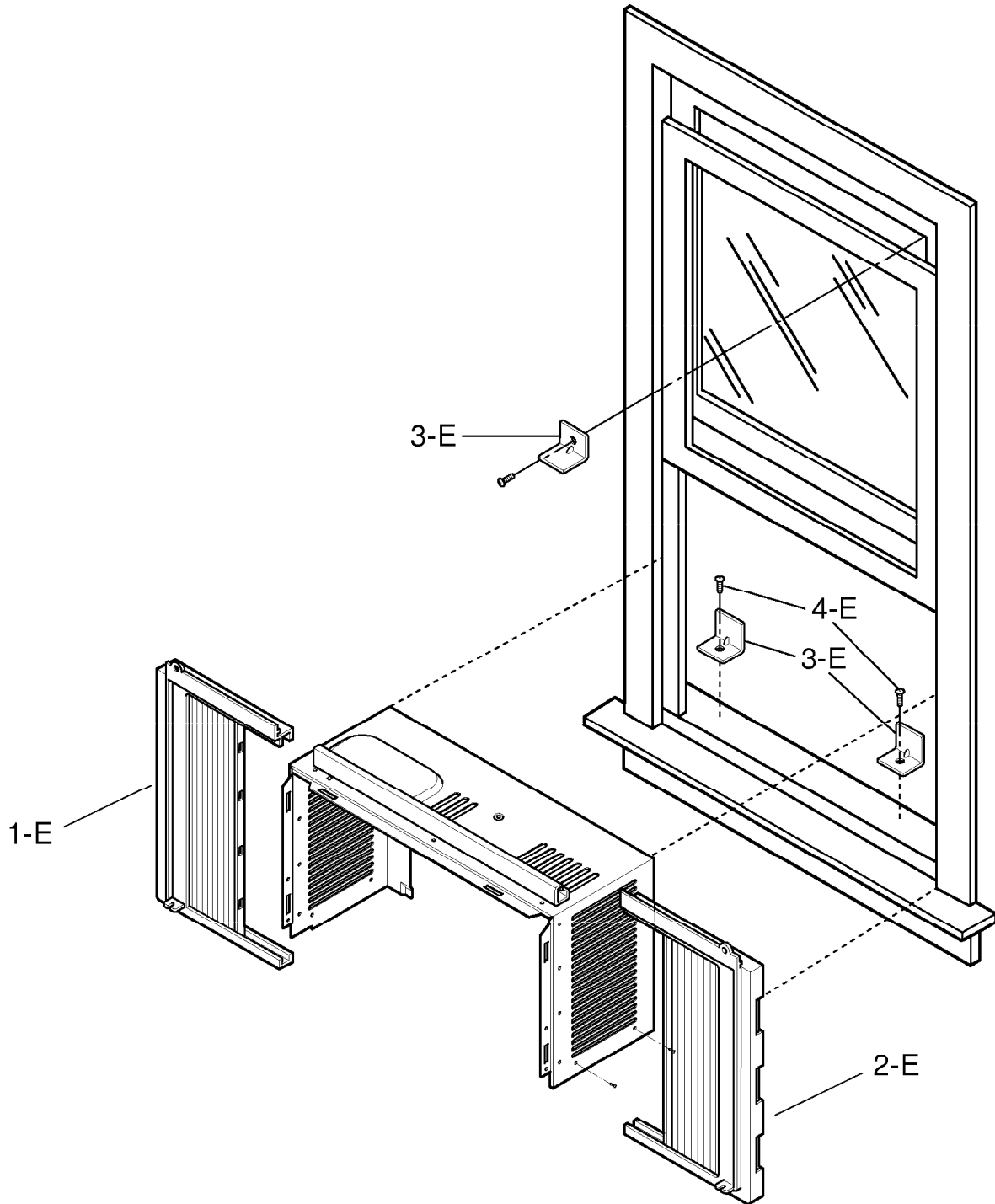
ILLUSTRATION NUMBER	PART NUMBER	DESCRIPTION
1 - D	1NFZU-L001A	NUT, TERMINAL COVER
2 - D	1WPZU-L001A	GASKET NUT
3 - D	3550UTL006A	COVER
4 - D #	6750U-L050A	OVER LOAD PROTECTOR
5 - D	4986U-L001G	GASKET
6 - D #	2520UCAA011	COMPRESSOR
7 - D	1NHA0801206	HEXAGON NUTS
8 - D	4810AR4155B	BRACKET, WASHER
9 - D	5040AR4195A	RUBBER, MOUNTING
10 - D	5211A25019A	TUBE ASSEMBLY, EVAPORATOR
11 - D	5211A21145A	TUBE ASSEMBLY, CONDENSER OUT
12 - D	5211A21228A	TUBE ASSEMBLY, SUCTION
13 - D	5211A21136A	TUBE ASSEMBLY DISCHARGE

= Functional Parts

* = Non-Illustrated Parts

CAUTION: Use the Kenmore part number on all orders, **not** the illustration number.

INSTALLATION KIT ASSEMBLY



CAUTION: Use the Kenmore part number on all orders, not the illustration number.

INSTALLATION KIT ASSEMBLY

ILLUSTRATION NUMBER	PART NUMBER	DESCRIPTION
1 - E	3211A20010A	SIDE CURTAIN, LEFT
2 - E	3211A20009A	SIDE CURTAIN, RIGHT
3 - E	4810A30113A	L BRACKET
4 - E	1TTG0402618	SHORT SCREW

= Functional Parts

* = Non-Illustrated Parts

Get it fixed, at your home or ours!

Your Home

For repair – **in your home** – of **all** major brand appliances, lawn and garden equipment, or heating and cooling systems, **no matter who made it, no matter who sold it!**

For the replacement parts, accessories and owner's manuals that you need to do-it-yourself.

For Sears professional installation of home appliances and items like garage door openers and water heaters.

1-800-4-MY-HOME® (1-800-469-4663)

Call anytime, day or night (U.S.A. and Canada)

www.sears.com www.sears.ca

Our Home

For repair of carry-in items like vacuums, lawn equipment, and electronics, call or go on-line for the location of your nearest **Sears Parts & Repair Center.**

1-800-488-1222

Call anytime, day or night (U.S.A. only)

www.sears.com

To purchase a protection agreement (U.S.A.) or maintenance agreement (Canada) on a product serviced by Sears:

1-800-827-6655 (U.S.A.)

1-800-361-6665 (Canada)

Para pedir servicio de reparación a domicilio, y para ordenar piezas:

1-888-SU-HOGARSM
(1-888-784-6427)

Au Canada pour service en français:

1-800-LE-FOYER^{MC}
(1-800-533-6937)
www.sears.ca

SEARS

© Registered Trademark / TM Trademark / SM Service Mark of Sears, Roebuck and Co.
© Marca Registrada / TM Marca de Fábrica / SM Marca de Servicio de Sears, Roebuck and Co.
^{MC} Marque de commerce / ^{MD} Marque déposée de Sears, Roebuck and Co.

© Sears, Roebuck and Co.

Part No.: 3828A20448B