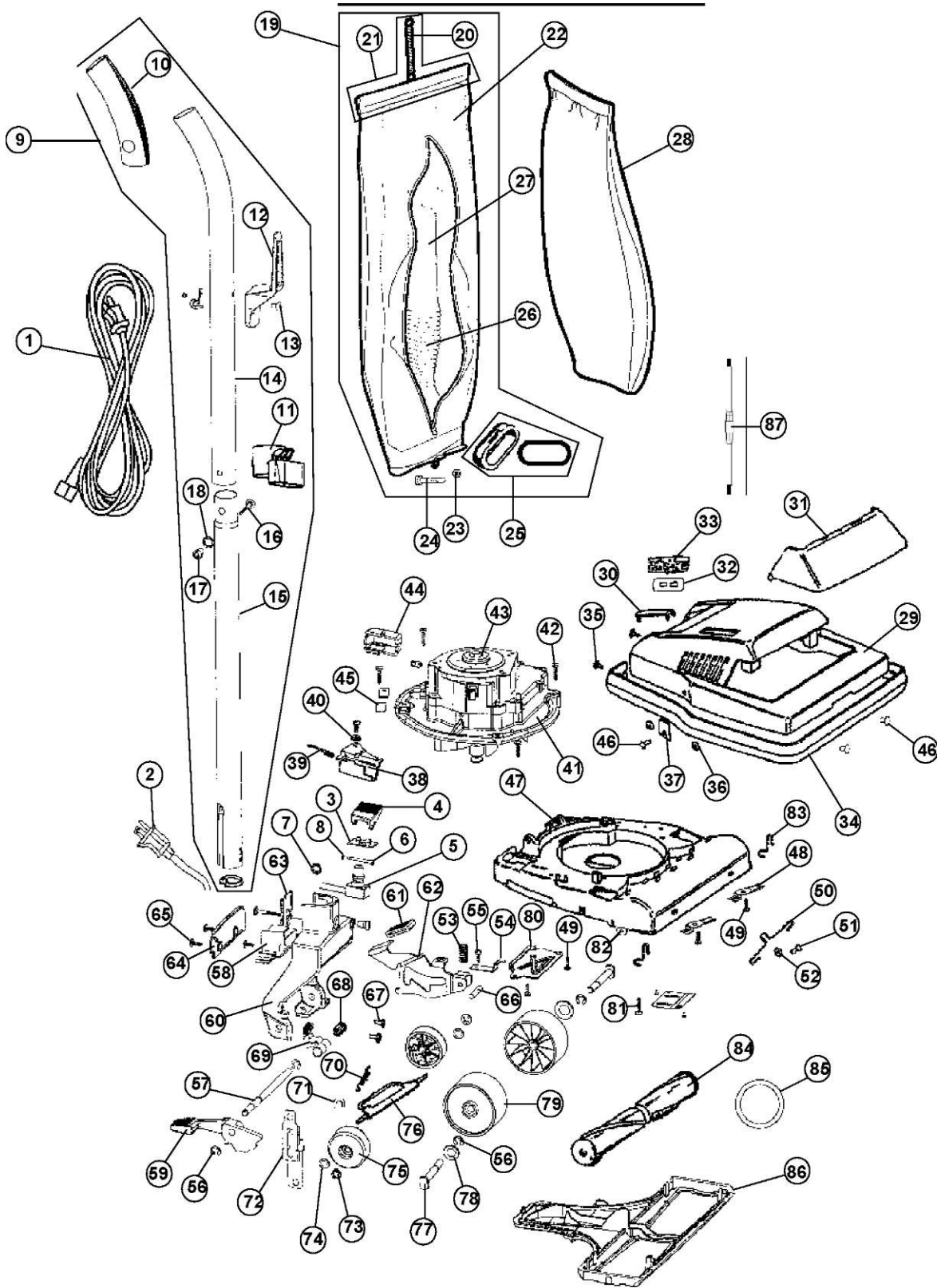


# ROYAL

**PROFESSIONAL POWER**

CR50075





CR50075

ITEM	PART NUMBER	MODELS TO FIT	PART DESCRIPTION
1	59156704	CR50075	EXTENSION POWER CORD - 50'
2	59156728	CR50075	POWER CORD PIGTAIL - 18"
3	35217006	CR50075	MOUNTING BRACKET
4	350106001	CR50075	SWITCH PEDAL
5	28212017	CR50075	SWITCH
6	613802AY	CR50075	SHAFT
7	012560--	CR50075	NUT
8	24735022	CR50075	CIRCULAR CLIP
9	48646093	CR50075	HANDLE ASSEMBLY COMPLETE
10	39454070	CR50075	HANDLE GRIP - TRANSPARENT
11	59156731	CR50075	CORD SUPPORT RETAINER
12	39441016	CR50075	CORD CLIP - BLACK
13	21256094	CR50075	RIVET
14	48643091	CR50075	UPPER HANDLE - CHROMIUM PLATE
15	48631134	CR50075	LOWER HANDLE - CHROMIUM PLATE
16	21631302	CR50075	HANDLE BOLT
17	32277008	CR50075	HANDLE CLAMP NUT
18	013704--	CR50075	LOCK WASHER
19	304262001	CR50075	OUTER CLOTH BAG COMPLETE - ORANGE
20	38336019	CR50075	BAG CLIP SPRING
21	41128007	CR50075	BAG CLIP AND SPRING ASSEMBLY
22	304261001	CR50075	OUTER CLOTH BAG - ORANGE
23	015854EF	CR50075	NUT
24	017206--	CR50075	SCREW
25	41424011	CR50075	BAG FLANGE WITH SEALANT
26	38673001	CR50075	BELLOW - BLACK
27	38657004	CR50075	TOP FILL TUBE
28	AR10160	CR50075	TYPE L TOP FILL HEPA BAG - 2 PACK
	AR10165	CR50075	TYPE L TOP FILL ALLERGEN BAG - 3 PACK
29	304260001	CR50075	HOOD / NOZZLE COVER - BLACK
30	350104001	CR50075	HEIGHT INDICATOR LENS
31	59156732	CR50075	LED LIGHT LENS
32	59156733	CR50075	LED LIGHT PANEL ASSEMBLY

CR50075

ITEM	PART NUMBER	MODELS TO FIT	PART DESCRIPTION
33	59156734	CR50075	LIGHT TRANSFORMER MODULAR
34	36231042	CR50075	FURNITURE GUARD - TRANSPARENT
35	21256134	CR50075	RIVET
36	168278AY	CR50075	WASHER
37	36951004	CR50075	RETAINER
38	41961009	CR50075	INDICATOR GUIDE ASSEMBLY
39	35276006	CR50075	INDICATOR GUIDE SPRING
40	014062--	CR50075	LOCK WASHER
41	59156735	CR50075	MOTOR ASSEMBLY AND SEAL KIT - 6 AMP
42	21447220	CR50075	SCREW
43	34287012	CR50075	BAFFLE
44	36315003	CR50075	BRUSH CAP
45	41119009	CR50075	RETAINER AND SLEEVING
46	012997AW	CR50075	RIVET
47	440001081	CR50075	MAIN BODY / NOZZLE BASE - BLACK
48	36153006	CR50075	LATCH - NOZZLE GUARD
49	017001FW	CR50075	SCREW - SELF TAPPING
50	012138FW	CR50075	RETAINING WIRE FORM
51	012503EF	CR50075	RIVET
52	21312703	CR50075	WASHER
53	012559FW	CR50075	SPRING
54	34665007	CR50075	PIVOT PIN RETAINER
55	017001FW	CR50075	SCREW - SELF TAPPING
56	013730--	CR50075	LOCK RING
57	161509AY	CR50075	BAIL / HANDLE FORK SHAFT
58	36913026	CR50075	INSULATOR / STRAIN RELIEF
59	38456044	CR50075	NOZZLE ADJUSTMENT LEVER - BLAC
60	41416051	CR50075	BAIL / HANDLE FORK
61	38426080	CR50075	FOOT PAD - BLACK
62	38456050	CR50075	HANDLE CONTROL LEVER - BLACK
63	35463011	CR50075	HANDLE RETAINER PLATE
64	37954004	CR50075	BAIL / HANDLE FORK PLATE
65	23187363	CR50075	SCREW
66	047450AY	CR50075	PIVOT PIN
67	12002663	CR50075	HANDLE CONTROL PIN ROLL

CR50075

ITEM	PART NUMBER	MODELS TO FIT	PART DESCRIPTION
68	048409FW	CR50075	SPRING
69	019907--	CR50075	BAG FLANGE CLAMP LEVER
70	161513--	CR50075	SPRING
71	34252005	CR50075	YOKE
72	43263005	CR50075	CAM FOLLOWER - PLASTIC
73	32182001	CR50075	WHEEL RETAINER
74	21312806	CR50075	WASHER
75	38521019	CR50075	REAR WHEEL - BLACK
76	41431013	CR50075	REAR WHEEL SHAFT
77	047457AY	CR50075	FRONT WHEEL SHAFT
78	21312724	CR50075	WASHER
79	034791AG	CR50075	FRONT WHEEL
80	35434040	CR50075	AXLE / BAG FLANGE RETAINER
81	21447020	CR50075	SCREW
82	21312781	CR50075	SUPPORT WASHER
83	34784021	CR50075	AGITATOR / BRUSH ROLL SPRING
84	48414003	CR50075	BRUSH ROLL ASSEMBLY - 4 BRUSH ORDER 48414021 - 2 BRUSH
	48414021	CR50075	BRUSH ROLL ASSEMBLY - 2 BRUSH
	48445001	CR50075	BRISTLE STRIPS - 1 EACH ORDER 4
85	044783AG	CR50075	STYLE AG BELT
86	42246008	CR50075	NOZZLE GUARD - METAL
87	440001219	CR50075	FUSE ASSEMBLY - 8AMP / 250V