

Dirt Devil®

Breeze
BAGLESS

JAGUAR
BAGLESS UPRIGHT

Featherlite
BAGLESS UPRIGHT

PLATINUM FORGE

MODEL NO.

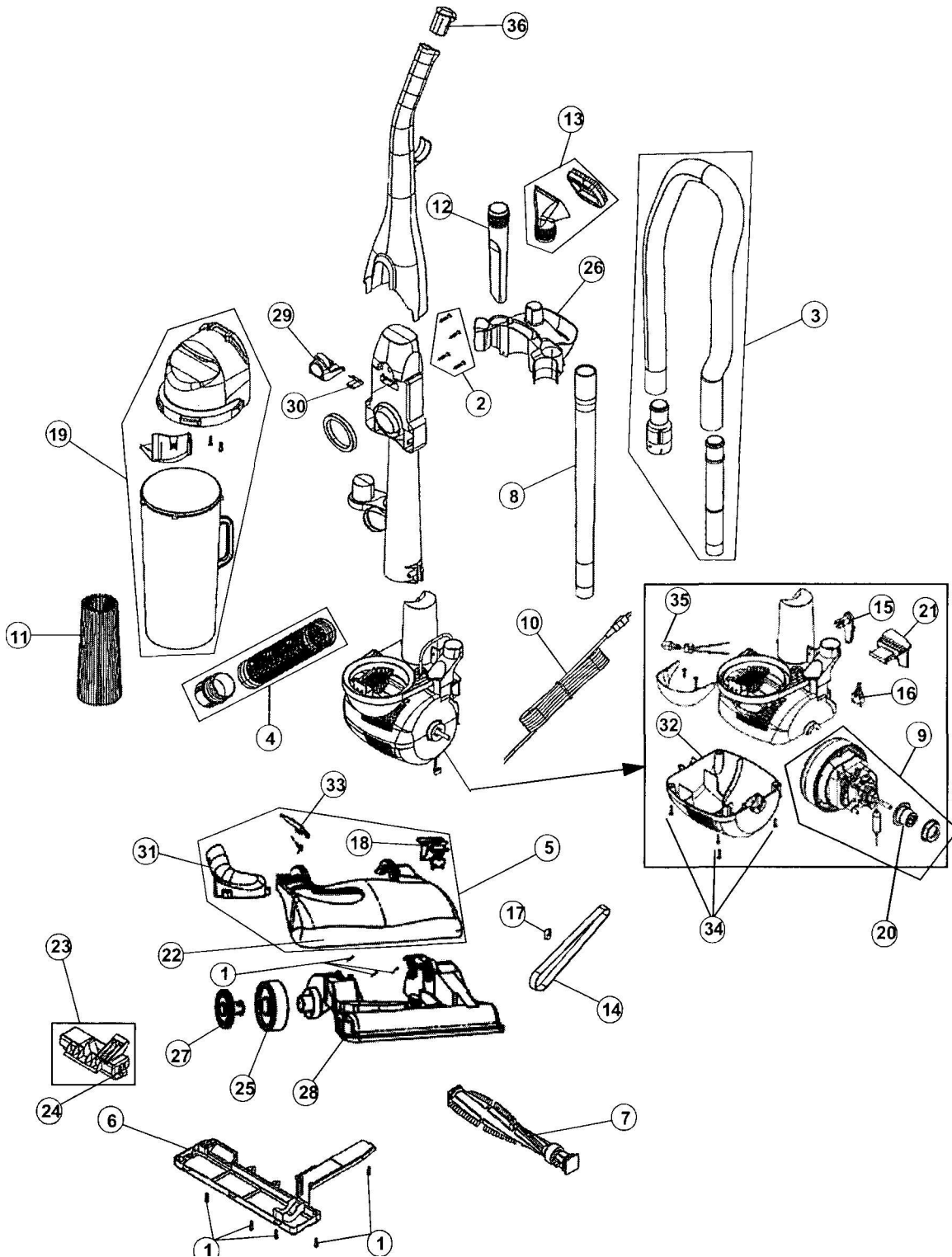
085835

085845

088160

088161HD

HDU300





22

MODEL NO.

085835
085845
088160
088161HD
HDU300

| Item | Part Number | Models To Fit | Part Description |
|------|-------------|---------------|------------------------------------|
| 1 | 1250100000 | ALL | SCREW - BODY |
| 2 | 2881250000 | ALL | HANDLE SCREW ASSEMBLY |
| 3 | 2881005600 | ALL | HOSE ASSEMBLY |
| 4 | 2881015600 | ALL | LOWER HOSE ASSEMBLY |
| 5 | 9881045BA0 | ALL | NOZZLE COVER ASSEMBLY |
| 6 | 1881020600 | ALL | NOZZLE GUARD |
| 7 | 2881020000 | ALL | BRUSHROLL ASSEMBLY |
| 8 | 1863365600 | ALL | EXTENSION WAND |
| 9 | 1JE1120000 | ALL | MOTOR ASSEMBLY 12 AMP |
| 10 | 1881140600 | ALL | POWER CORD 25' |
| 11 | 2JC0360000 | ALL | F-1 / HEPA FILTER ASSEMBLY |
| 12 | 1920035600 | ALL | CREVICE TOOL |
| 13 | 2920215600 | ALL | 2 IN 1 BRUSH ASSEMBLY |
| 14 | 1540310001 | ALL | STYLE 5 BELT |
| 15 | 1790655600 | ALL | CORD HOOK |
| 16 | 1860081000 | ALL | SWITCH |
| 17 | 1720380000 | ALL | BELT GUIDE CLIP |
| 18 | 1881075600 | ALL | HANDLE RELEASE PEDAL |
| 19 | 2881235000 | 085835 | DIRT CUP ASSEMBLY - JAGUAR |
| | 2881235 | 085845 | DIRT CUP ASSEMBLY - FEATHERLITE |
| | 2881235 | 088160 | DIRT CUP ASSEMBLY - BREEZE |
| | 2881235 | 088161HD | DIRT CUP ASSEMBLY - BREEZE |
| | 2881235 | HDU300 | DIRT CUP ASSEMBLY - PLATINUM FORCE |
| 20 | 1881130000 | ALL | GROMMET |
| 21 | 1881135B00 | ALL | SWITCH PEDAL |
| 22 | 1881050B00 | ALL | BUMPER |
| 23 | 2881110600 | ALL | ROLLER LIFTER ASSEMBLY |
| 24 | 1881110600 | ALL | FRONT ROLLER - ORDER #23 |
| 25 | 1881065600 | ALL | REAR WHEEL |
| 26 | 1881205600 | ALL | TOOL CADDY |
| 27 | 1881070000 | ALL | REAR WHEEL AXLE/CAP |
| 28 | 2881035600 | ALL | NOZZLE BASE |
| 29 | 1881250000 | ALL | DIRT CUP LATCH |
| 30 | 1881255000 | ALL | LATCH SPRING |
| 31 | 1881040Q00 | ALL | CLEAR DIRT TUBE |
| 32 | 1881160000 | ALL | LOWER MOTOR HOUSING |



PLATINUM FORCE

22

MODEL NO.

085835

085845

088160

088161HD

HDU300

| Item | Part Number | Models To Fit | Part Description |
|------|-------------|---------------|--------------------------|
| 34 | 1720430000 | ALL | SCREW 8-10 X 5/8 - COMBO |
| 33 | 1881048600 | ALL | DIRT PASSAGE DOOR |
| 35 | 1920906000 | ALL | BULB #906 |
| 36 | 1881201600 | ALL | HANDLE CAP |