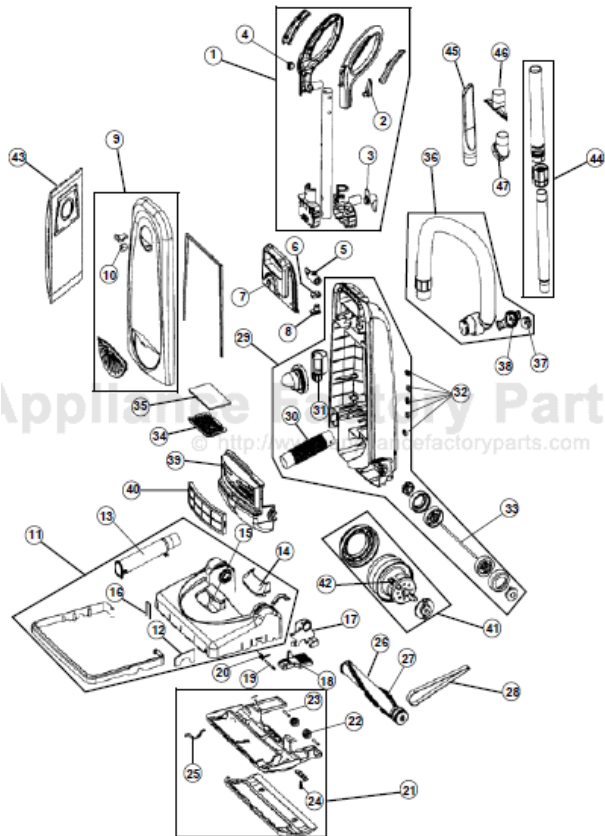


This Owner's Manual is provided and hosted by [Appliance Factory Parts](http://www.appliancefactoryparts.com).



# Royal SD30040BR Owner's Manual

[Shop genuine replacement parts for Royal SD30040BR](http://www.appliancefactoryparts.com)



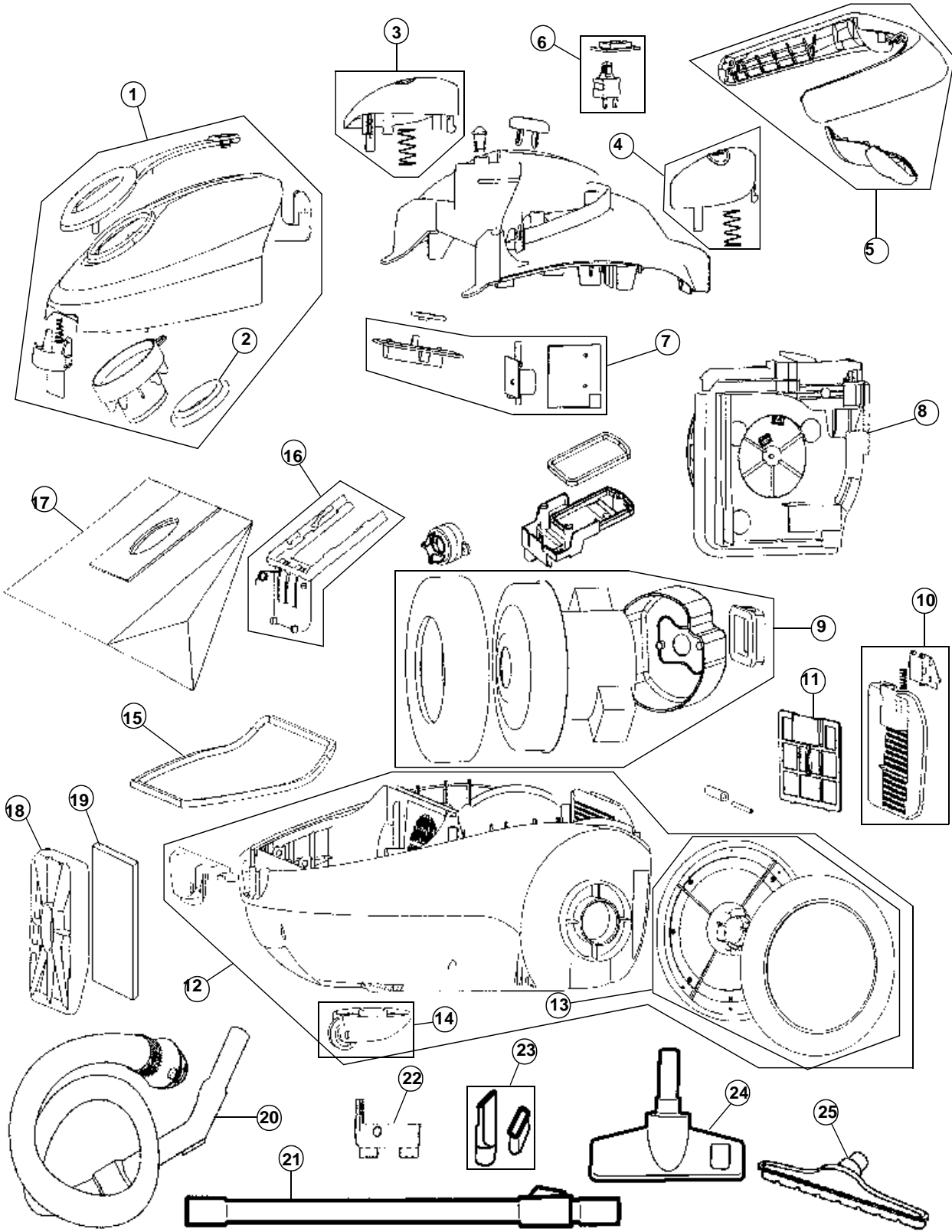
[Find Your Royal Vacuum Cleaner Parts - Select From 772 Models](http://www.appliancefactoryparts.com)

----- Manual continues below -----



*fantasy*  
**tattoo**

ASSEMBLY SCHEMATIC



MODEL NO.

- SD30040BI
- SD30040PI
- SD30040BR
- SD30040CS
- SD30040CB
- SD30040BB



## PART LISTING / PRICE LIST

MODEL NO.

| Item | Part Number | Model's To Fit          | Part Description                                                  | Net Cost | List Cost |
|------|-------------|-------------------------|-------------------------------------------------------------------|----------|-----------|
| 1    | 2SD3440000  | SD30040BI               | BAG CHAMBER LID ASSEMBLY - BLACK IVY                              |          |           |
|      | 2SD3400000  | SD30040BR               | BAG CHAMBER LID ASSEMBLY - BRONZE BUTTERFLY                       |          |           |
|      | 2SD3004000  | SD30040CS               | BAG CHAMBER LID ASSEMBLY - CRIMSON STAR                           |          |           |
|      | 2SD1112000  | SD30040PI               | BAG CHAMBER LID ASSEMBLY - PURPLE IVY                             |          |           |
|      | NEED #      | SD30040CBT<br>SD30040BB | BAG CHAMBER LID ASSEMBLY - CRIMSON BOUQUET                        |          |           |
| 2    | 1SD1115000  | ALL                     | AIR INLET SEAL                                                    |          |           |
| 3    | 2SD1104000  | ALL                     | POWER PEDAL WITH SPRING                                           |          |           |
| 4    | 2SD1105000  | ALL                     | REWIND PEDAL WITH SPRING                                          |          |           |
| 5    | NEED #      | ALL                     | HANDLE ASSEMBLY                                                   |          |           |
| 6    | 2SD1103000  | ALL                     | POWER SWITCH AND HOLDER                                           |          |           |
| 7    | 2SD1107000  | ALL                     | PCB WITH WIRING - SLIDE CONTROL<br>PCB - PRESSURE SWITCH ASSEMBLY |          |           |
| 8    | 2SD2000000  | ALL                     | CORD REWIND ASSEMBLY                                              |          |           |
| 9    | 2SD1106000  | ALL                     | MOTOR ASSEMBLY COMPLETE                                           |          |           |
| 10   | 1SD1114000  | ALL                     | EXHAUST COVER ASSEMBLY                                            |          |           |
| 11   | 2SD1130000  | ALL                     | EXHAUST FILTER ASSEMBLY                                           |          |           |
| 12   | 2SD1110000  | ALL                     | BOTTOM HOUSING ASSEMBLY                                           |          |           |
| 13   | 2SD1102000  | ALL                     | REAR WHEEL ASSEMBLY - BLACK /SILVER                               |          |           |
| 14   | 2SD1101000  | ALL                     | FRONT WHEEL CASTER ASSEMBLY                                       |          |           |
| 15   | 1SD1118000  | ALL                     | SEAL - BOTTOM HOUSING                                             |          |           |
| 16   | 1SD1190000  | ALL                     | BAG HOLDER ASSEMBLY                                               |          |           |
| 17   | RO-AD10030  | ALL                     | TPYE O BAG - ALLERGEN / 3 PACK                                    |          |           |
|      |             |                         |                                                                   |          |           |
| 18   | 1SD1117000  | ALL                     | HOLDER - BAG CHAMBER FILTER                                       |          |           |
| 19   | 1SD1116000  | ALL                     | BAG CHAMBER FILTER                                                |          |           |
| 20   | 2SD1000000  | ALL                     | HOSE ASSEMBLY                                                     |          |           |
| 21   | 2SD2101000  | ALL                     | TELESCOPIC WAND ASSEMBLY                                          |          |           |
| 22   | 1SD2201000  | ALL                     | TOOL HOLDER                                                       |          |           |
| 23   | 1SD2000000  | ALL                     | CREVICE / DUSTING COMBO TOOL                                      |          |           |
| 24   | 2SD2100000  | ALL                     | FLOOR TOOL ASSEMBLY                                               |          |           |
| 25   | NEED #      | ALL                     | BARE FLOOR BRUSH                                                  |          |           |

SD30040BI  
SD30040PI  
SD30040BR  
SD30040CS  
SD30040CBT  
SD30040BB