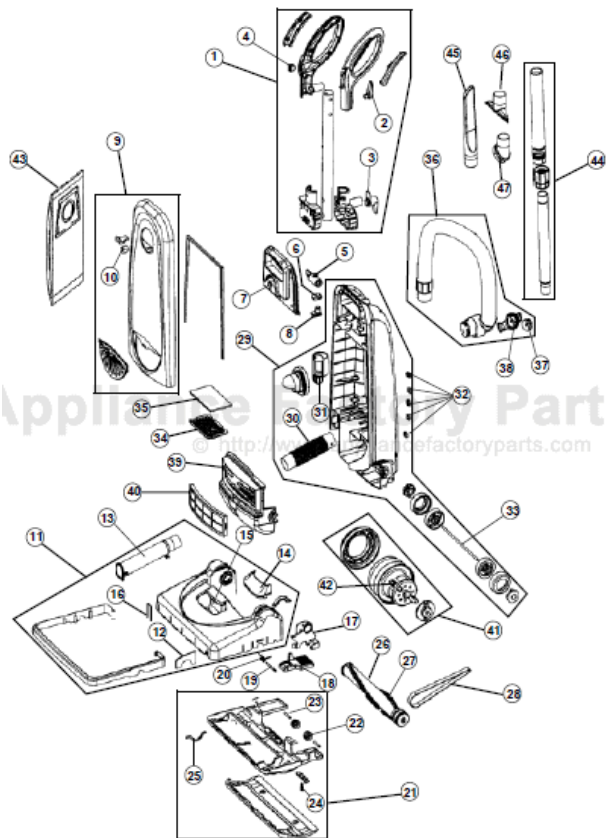


This Owner's Manual is provided and hosted by [Appliance Factory Parts](http://www.appliancefactoryparts.com).



Royal SD30040PI Owner's Manual

[Shop genuine replacement parts for Royal SD30040PI](http://www.appliancefactoryparts.com)



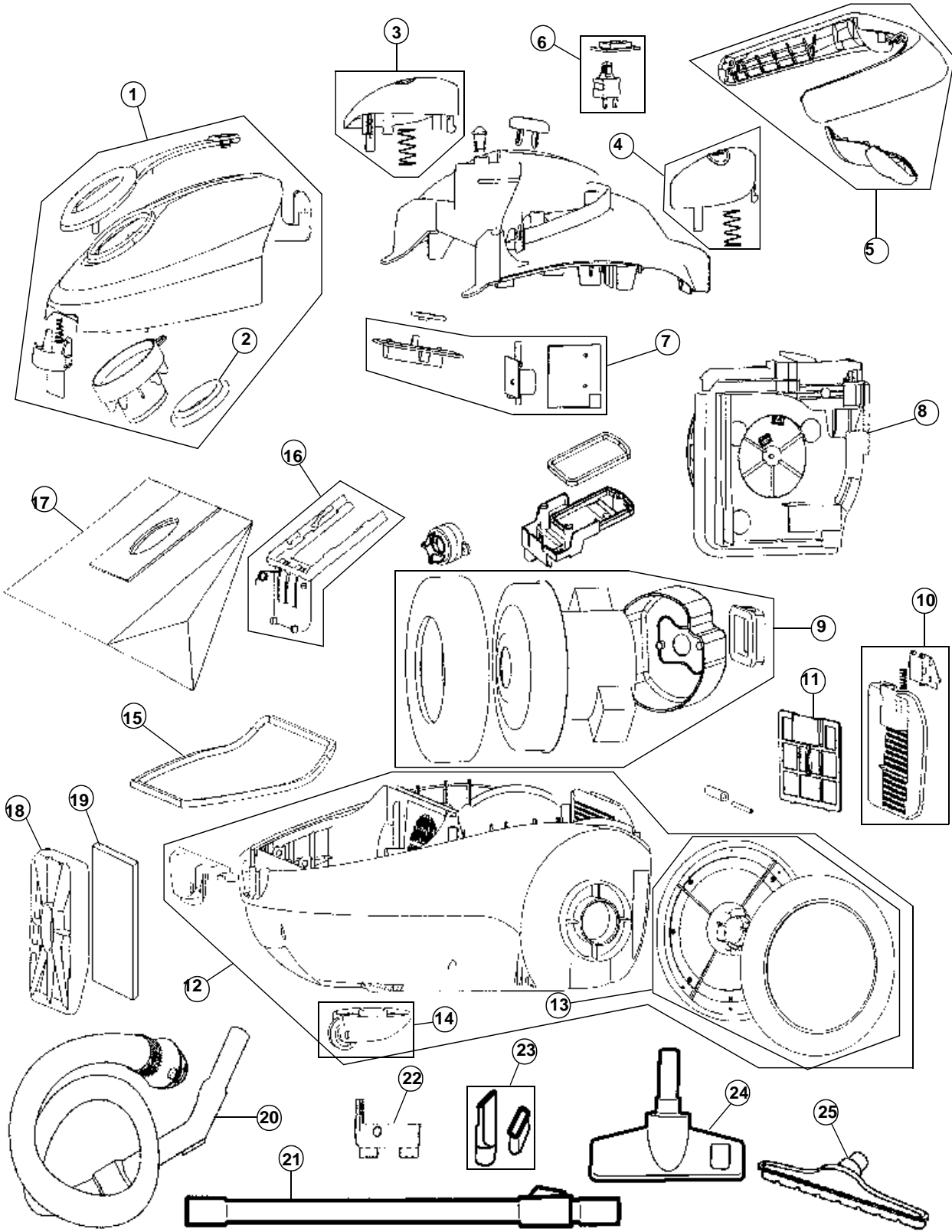
[Find Your Royal Vacuum Cleaner Parts - Select From 772 Models](http://www.appliancefactoryparts.com)

----- Manual continues below -----



fantasy
tattoo

ASSEMBLY SCHEMATIC



MODEL NO.

- SD30040BI
- SD30040PI
- SD30040BR
- SD30040CS
- SD30040CB
- SD30040BB



PART LISTING / PRICE LIST

[MODEL NO.](#)

Item	Part Number	Model's To Fit	Part Description	Net Cost	List Cost
1	2SD3440000	SD30040BI	BAG CHAMBER LID ASSEMBLY - BLACK IVY		
	2SD3400000	SD30040BR	BAG CHAMBER LID ASSEMBLY - BRONZE BUTTERFLY		
	2SD3004000	SD30040CS	BAG CHAMBER LID ASSEMBLY - CRIMSON STAR		
	2SD1112000	SD30040PI	BAG CHAMBER LID ASSEMBLY - PURPLE IVY		
	NEED #	SD30040CBT SD30040BB	BAG CHAMBER LID ASSEMBLY - CRIMSON BOUQUET		
2	1SD1115000	ALL	AIR INLET SEAL		
3	2SD1104000	ALL	POWER PEDAL WITH SPRING		
4	2SD1105000	ALL	REWIND PEDAL WITH SPRING		
5	NEED #	ALL	HANDLE ASSEMBLY		
6	2SD1103000	ALL	POWER SWITCH AND HOLDER		
7	2SD1107000	ALL	PCB WITH WIRING - SLIDE CONTROL PCB - PRESSURE SWITCH ASSEMBLY		
8	2SD2000000	ALL	CORD REWIND ASSEMBLY		
9	2SD1106000	ALL	MOTOR ASSEMBLY COMPLETE		
10	1SD1114000	ALL	EXHAUST COVER ASSEMBLY		
11	2SD1130000	ALL	EXHAUST FILTER ASSEMBLY		
12	2SD1110000	ALL	BOTTOM HOUSING ASSEMBLY		
13	2SD1102000	ALL	REAR WHEEL ASSEMBLY - BLACK /SILVER		
14	2SD1101000	ALL	FRONT WHEEL CASTER ASSEMBLY		
15	1SD1118000	ALL	SEAL - BOTTOM HOUSING		
16	1SD1190000	ALL	BAG HOLDER ASSEMBLY		
17	RO-AD10030	ALL	TPYE O BAG - ALLERGEN / 3 PACK		
18	1SD1117000	ALL	HOLDER - BAG CHAMBER FILTER		
19	1SD1116000	ALL	BAG CHAMBER FILTER		
20	2SD1000000	ALL	HOSE ASSEMBLY		
21	2SD2101000	ALL	TELESCOPIC WAND ASSEMBLY		
22	1SD2201000	ALL	TOOL HOLDER		
23	1SD2000000	ALL	CREVICE / DUSTING COMBO TOOL		
24	2SD2100000	ALL	FLOOR TOOL ASSEMBLY		
25	NEED #	ALL	BARE FLOOR BRUSH		

SD30040BI
SD30040PI
SD30040BR
SD30040CS
SD30040CBT
SD30040BB