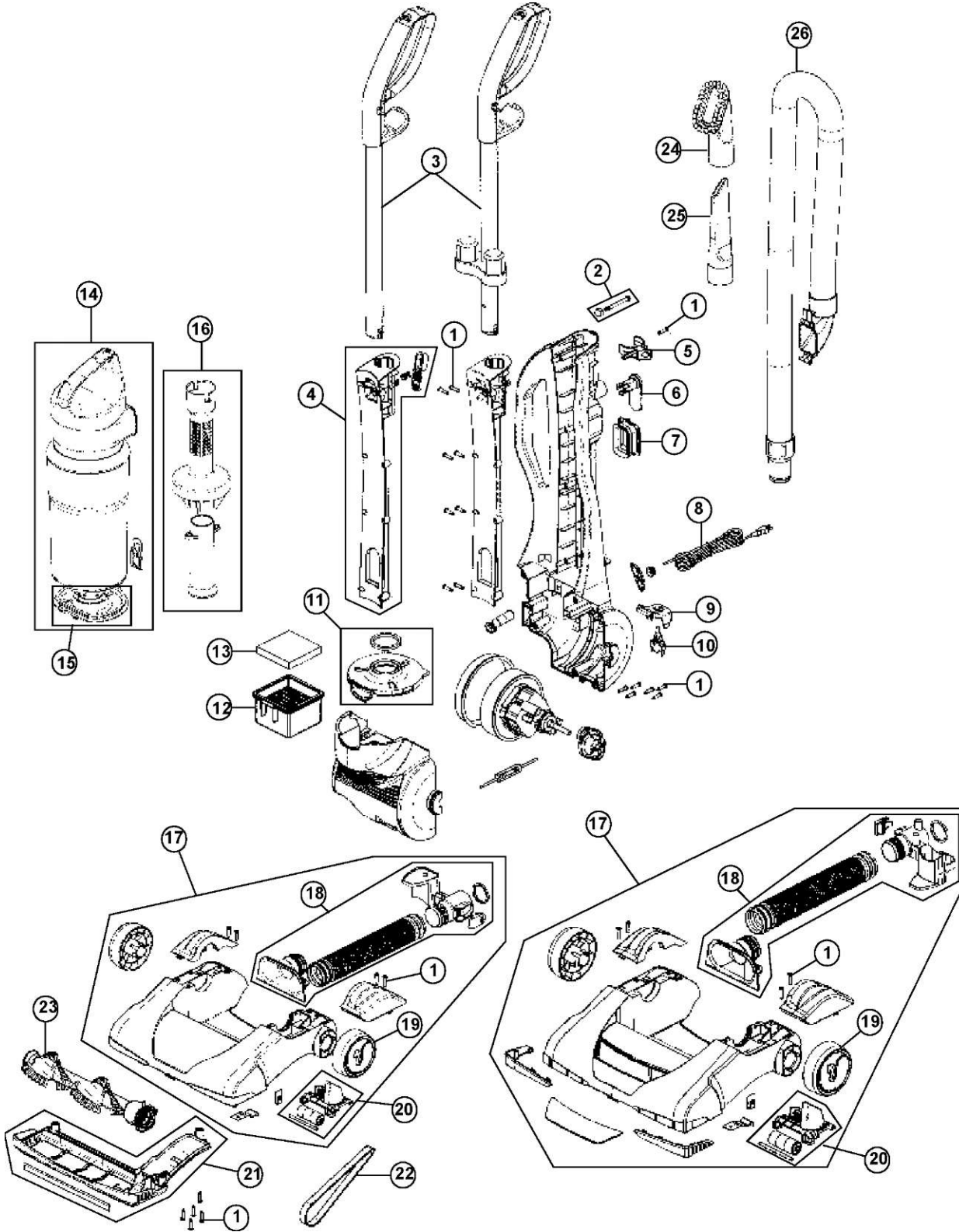




Extreme Cyclonic Quick Vac

ASSEMBLY SCHEMATIC



- UD20005
- UD20005BSP BERRY
- UD20005EBN EBONY
- UD20005SPN SPINACH
- UD20005PDI ROSE
- UD20005TDI SEAGOING

- UD20010



Extreme Cyclonic Quick Vac

26

Item	Part Number	Models To Fit	Part Description
1	660021002	UD20005, UD20010	BODY SCREW 8 X 16MM
2	2PY1101000	UD20005	HANDLE SCREW PACKAGE
3	2PY1102000	UD20005	HANDLE ASSEMBLY - RED
	2PY2101000	UD20010	HANDLE ASSEMBLY - RED
4	2PY2104000	UD20010	HANDLE HOUSING - TELESCOPIC HANDLE
5	1PY1117000	UD20005, UD20010	UPPER HOSE HOLDER
6		UD20005, UD20010	UPPER CORD HOOK
7	1PY1113000	UD20005, UD20010	UPPER HOSE INLET GASKET
8	2997125600	UD20005, UD20010	POWER CORD - 25'
9	1PY2108000	UD20005, UD20010	SWITCH PEDAL
10	1860081000	UD20005, UD20010	SWITCH
11	2PY1107000	UD20005, UD20010	FILTER COVER ASSEMBLY
12	2PY1105000	UD20005, UD20010	F-43 FILTER ASSEMBLY
13	1PY1106000	UD20005, UD20010	FOAM FILTER
14	2PY1111000	UD20005, UD20010	DIRT CUP ASSEMBLY - RED
15	2PY1112000	UD20005, UD20010	DIRT CUP BOTTOM DOOR ASSEMBLY WITH GASKETS
16	1PY1110000	UD20005, UD20010	AIR DIRECTOR - DIRT TUBE BAFFLE
17		UD20005	NOZZLE BASE ASSEMBLY - RED
	2PY2106000	UD20010	NOZZLE BASE ASSEMBLY - RED
18	2PY2103000	UD20005, UD20010	LOWER HOSE ASSEMBLY
19	1PY1108000	UD20005, UD20010	REAR WHEEL
20	2PY2107000	UD20005, UD20010	ROLLER LIFTER ASSEMBLY
21	2PY1116000	UD20005	NOZZLE GUARD ASSEMBLY
	2PY2105000	UD20010	NOZZLE GUARD ASSEMBLY
22	1SN0220001	UD20005, UD20010	STYLE 15 BELT
23	2PY1115000	UD20005, UD20010	BRUSH ROLL ASSEMBLY
24	1PY1104000	UD20005, UD20010	DUSTING BRUSH ASSEMBLY
25	1PY1103000	UD20005, UD20010	CREVICE TOOL
26	2PY1109000	UD20005, UD20010	UPPER HOSE ASSEMBLY - BLACK

UD20005

UD20005BSP BERRY

UD20005EBN EBONY

UD20005SPN SPINACH

UD20005PDI ROSE

UD20005TDI SEAGOING

UD20010