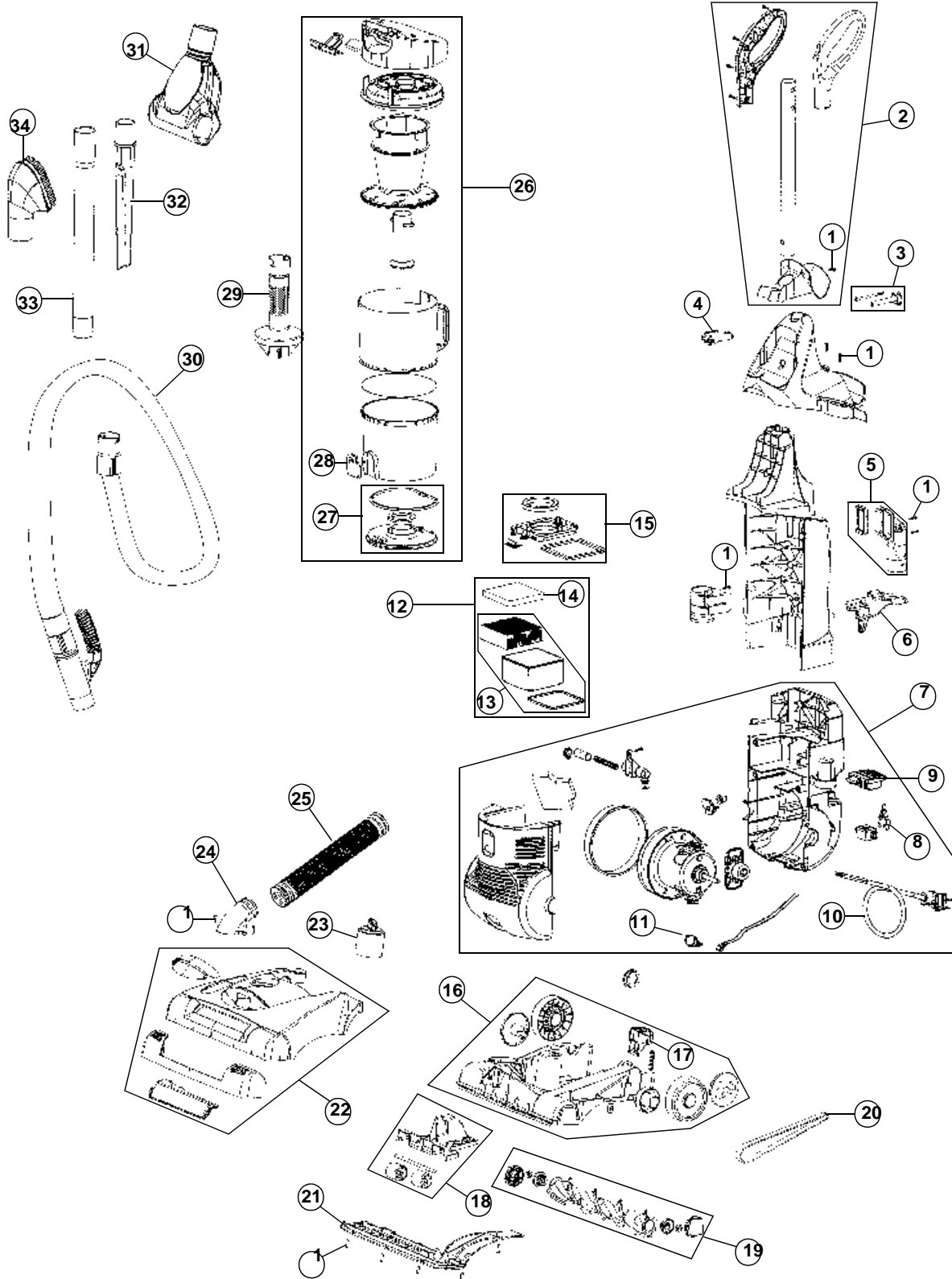




ASSEMBLY SCHEMATIC

MODEL No.

UD70010





PART LISTING

Item	Part Number	Models To Fit	Part Description
1	1503819000	UD70010	SCREW - BODY 8-10 X 5/8
2	303680001	UD70010	HANDLE ASSEMBLY - RED
3	304366001	UD70010	HANDLE SCREW FASTENER - RED
4	540611001	UD70010	UPPER CORD HOOK
5	304360001	UD70010	AIR INLET
6	521660001	UD70010	BOTTOM CORD HOOK
7	304376001	UD70010	MOTOR AND HOUSING ASSEMBLY
8	760194008	UD70010	POWER SWITCH
9	521664001	UD70010	SWITCH PEDAL
10	1LC0610600	UD70010	POWER CORD
11	1920906000	UD70010	BULB #906
12	304697001	UD70010	F-51 EXHAUST FILTER ASSEMBLY
13	304008001	UD70010	F-51 EXHAUST FILTER
14	561845002	UD70010	EXHAUST FOAM FILTER
15	304010001	UD70010	EXHAUST FILTER COVER
16	304365001	UD70010	NOZZLE BASE ASSEMBLY
17	521670001	UD70010	HANDLE RELEASE PEDAL
18	303677001	UD70010	ROLLER LIFTER ASSEMBLY
19	303749001	UD70010	BRUSH ROLL ASSEMBLY
20	1LC0011600	UD70010	STYLE 12 BELT
21	521645001	UD70010	NOZZLE GUARD
22	304364001	UD70010	NOZZLE COVER ASSEMBLY - RED
23	521643001	UD70010	HEIGHT ADJUSTMENT KNOB
24	521671001	UD70010	DIRT TUBE - CLEAR
25	304361001	UD70010	LOWER HOSE ASSEMBLY
26	303679001	UD70010	DIRT CUP AND LID ASSEMBLY - RED
27	304362001	UD70010	BOTTOM LID ASSEMBLY - DIRT CUP
28	521654001	UD70010	LATCH - BOTTOM LID DIRT CUP
29	304363001	UD70010	DIRT CUP BAFFLE
30	303685001	UD70010	UPPER HOSE ASSEMBLY
31	100437013	UD70010	TURBO TOOL
32	515362001	UD70010	CREVICE TOOL
33	590768009	UD70010	EXTENSION WAND - BLACK
34	300840002	UD70010	DUSTING BRUSH ASSEMBLY

UD70010