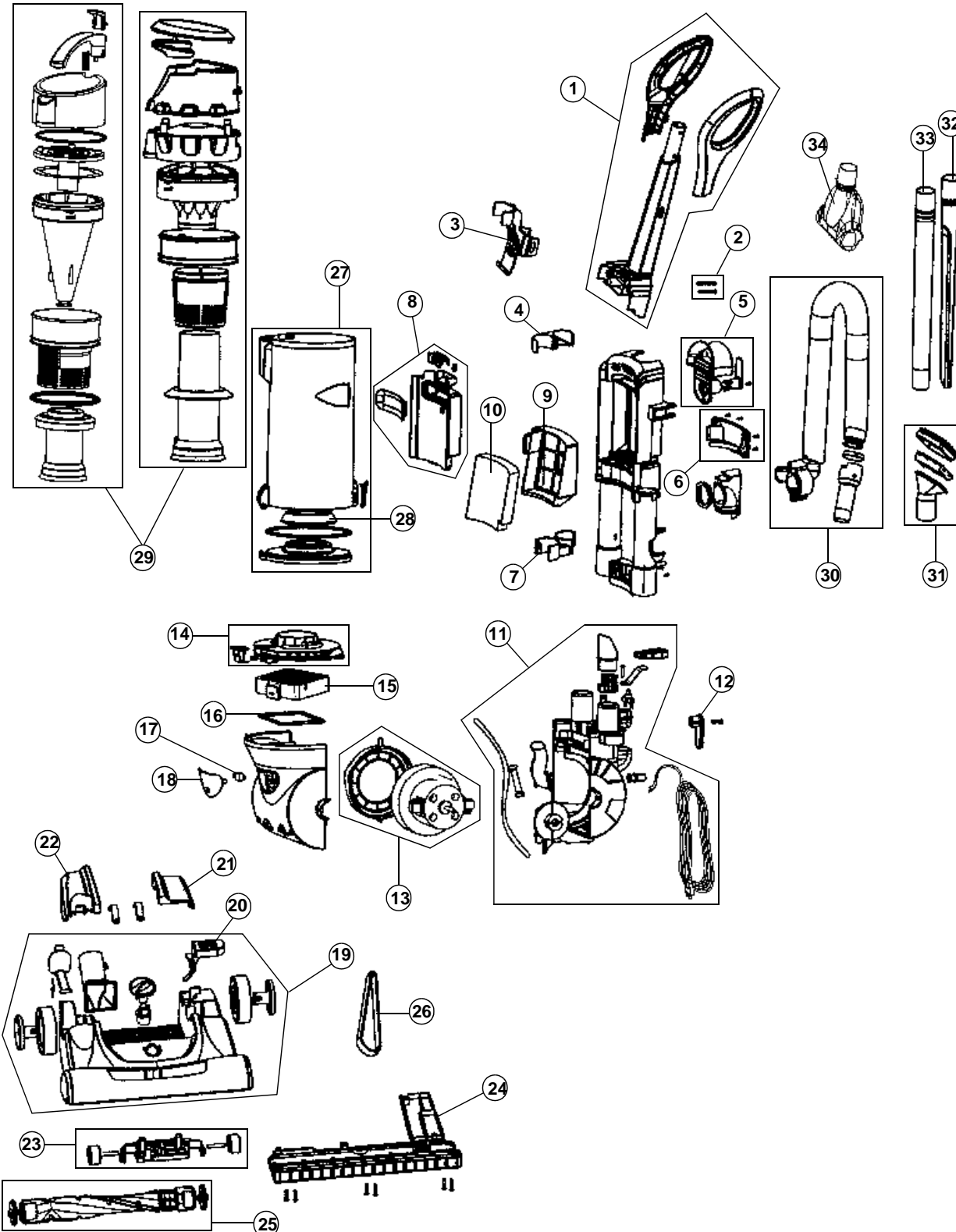




Power Reach.
Multi-Cyclonic Bagless



ASSEMBLY SCHEMATIC



MODEL No.

UD70065
UD70090
UD70095



Power Reach.
Multi-Cyclonic Bagless



PART LISTING

[MODEL No.](#)

| Item | Part Number | Model's to Fit | Part Description |
|------|-------------|------------------|-----------------------------------|
| 1 | 2JDA201000 | ALL | HANDLE ASSEMBLY - GRAY |
| 2 | 1JDA204000 | ALL | HANDLE SCREW PACKAGE |
| 3 | 1JDA202000 | ALL | TURBO TOOL CLIP - GRAY |
| 4 | 1JDA213000 | ALL | UPPER TOOL CLIP |
| 5 | 2JDA216000 | ALL | HOSE HOLDER ASSEMBLY |
| 6 | 2JDA215000 | ALL | ACCESS DOOR WITH SCREWS |
| 7 | 1JDA217000 | ALL | LOWER TOOL CLIP |
| 8 | 1JDA207000 | ALL | DOOR COVER ASSEMBLY |
| 9 | 1JDA205000 | UD70090, UD70095 | PRE-MOTOR FILTER FRAME |
| | 1JDA104000 | UD70065 | PRE-MOTOR FILTER FRAME |
| 10 | 1JDA206000 | UD70090, UD70095 | PRE-MOTOR FOAM FILTER |
| | 1JDA105000 | UD70065 | F-40 PRE-MOTOR FOAM FILTER |
| 11 | 2JDA221000 | ALL | REAR HOUSING AND WIRING |
| 12 | 1JDA222000 | ALL | CORD HOOK |
| 13 | 2JDA220000 | ALL | MOTOR ASSEMBLY |
| 14 | 1JDA218000 | ALL | EXHAUST FILTER DOOR ASSEMBLY |
| 15 | 1JDA219000 | UD70090, UD70095 | HEPA EXHAUST FILTER |
| | 1JDA103000 | UD70065 | F-41 CHARCOAL HEPA EXHAUST FILTER |
| 16 | 1JDA223000 | ALL | SEAL - EXHAUST FILTER |
| 17 | 1JDA250000 | ALL | LIGHT BULB |
| 18 | 1JDA260000 | ALL | LIGHT BULB LENS |
| 19 | 2JDA224000 | ALL | NOZZLE ASSEMBLY |
| 20 | 1JDA227000 | ALL | HANDLE RELEASE PEDAL |
| 21 | 1JDA225000 | ALL | PIVOT COVER - LEFT |
| 22 | 1JDA226000 | ALL | PIVOT COVER - RIGHT |
| 23 | 2JDA228000 | ALL | ROLLER LIFTER ASSEMBLY |
| 24 | 2JDA240000 | ALL | NOZZLE GUARD ASSEMBLY |
| 25 | 2JDA230000 | ALL | BRUSH ROLL ASSEMBLY |
| 26 | 38528040 | ALL | STYLE 23 BELT |
| 27 | 1JDA210000 | ALL | DIRT CUP ASSEMBLY |
| 28 | 1JDA210000 | UD70090, UD70095 | GASKET - DIRT CUP |
| 29 | 2JDA208000 | UD70090, UD70095 | DIRT CUP LID ASSEMBLY |
| | 2JDA100000 | UD70065 | DIRT CUP LID ASSEMBLY |
| 30 | 2JDA214000 | UD70090, UD70095 | HOSE ASSEMBLY |

UD70065
UD70090
UD70095



**Power Reach.
Multi-Cyclonic Bagless**



PART LISTING

| Item | Part Number | Model's to Fit | Part Description |
|------|-------------|------------------|---------------------------------------|
| 31 | 2JDA203000 | UD70090 | 2 _{IN} 1 TOOL ASSEMBLY |
| | 2JDA102000 | UD70065, UD70095 | 2 _{IN} 1 TOOL ASSEMBLY - PET |
| 32 | 1JDA212000 | A _{LL} | CREVICE TOOL |
| 33 | 1JDA211000 | A _{LL} | EXTENSION WAND |
| 34 | 2UTT000000 | UD70090 | TURBO TOOL |
| | 2JDA101000 | UD70065, UD70095 | TURBO TOOL - PET |

MODEL No.

UD70065

UD70090

UD70095