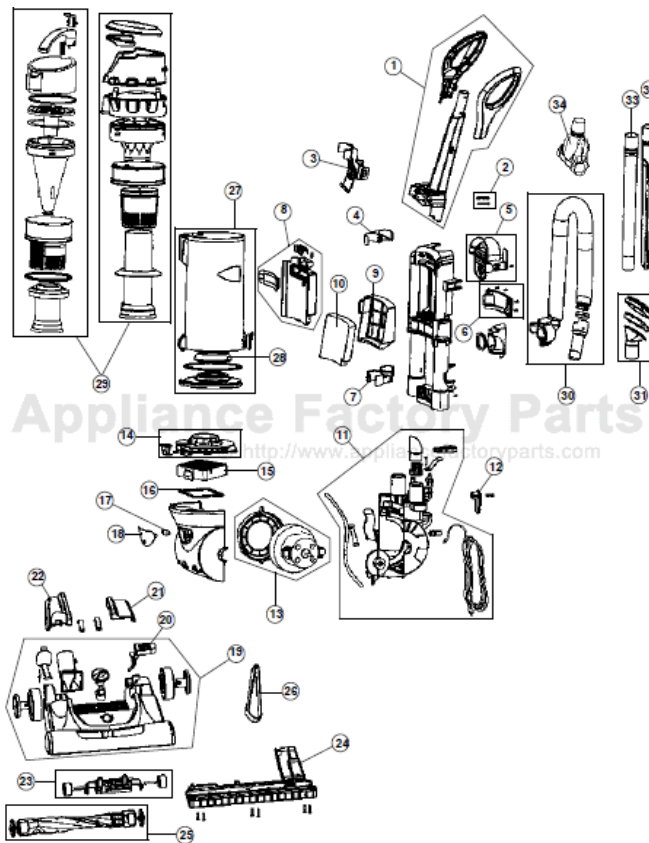


This Owner's Manual is provided and hosted by [Appliance Factory Parts](http://ApplianceFactoryParts.com).



Royal UD70090 Owner's Manual

[Shop genuine replacement parts for Royal UD70090](#)



[Find Your Royal Vacuum Cleaner Parts - Select From 772 Models](#)

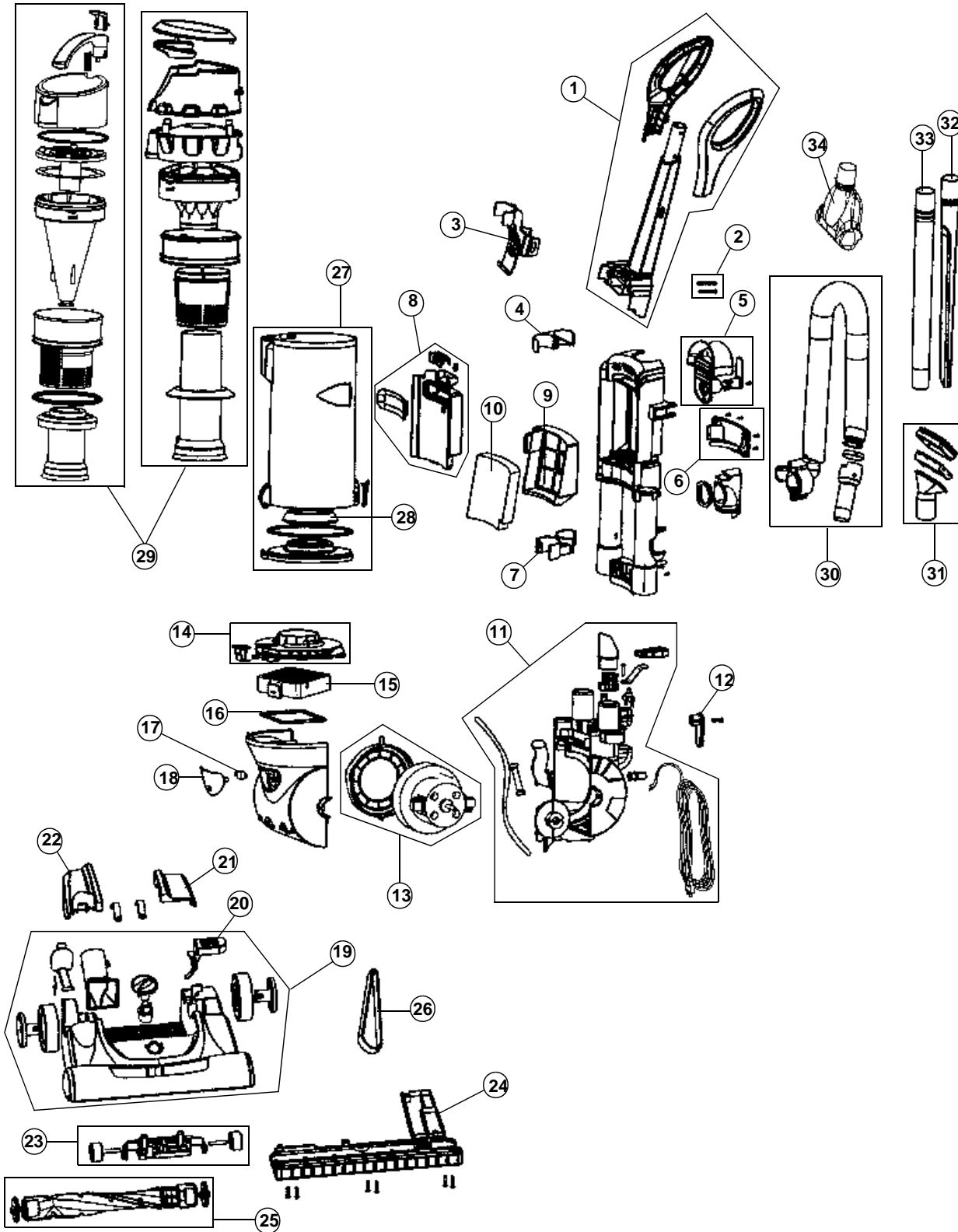
----- Manual continues below -----



**Power Reach.
Multi-Cyclonic Bagless**



ASSEMBLY SCHEMATIC



MODEL NO.

UD70065

UD70090

UD70095



Power Reach.
Multi-Cyclonic Bagless



PART LISTING

MODEL NO.

Item	Part Number	Model's to Fit	Part Description
1	2JDA201000	ALL	HANDLE ASSEMBLY - GRAY
2	1JDA204000	ALL	HANDLE SCREW PACKAGE
3	1JDA202000	ALL	TURBO TOOL CLIP - GRAY
4	1JDA213000	ALL	UPPER TOOL CLIP
5	2JDA216000	ALL	HOSE HOLDER ASSEMBLY
6	2JDA215000	ALL	ACCESS DOOR WITH SCREWS
7	1JDA217000	ALL	LOWER TOOL CLIP
8	1JDA207000	ALL	DOOR COVER ASSEMBLY
9	1JDA205000	UD70090, UD70095	PRE-MOTOR FILTER FRAME
	1JDA104000	UD70065	PRE-MOTOR FILTER FRAME
10	1JDA206000	UD70090, UD70095	PRE-MOTOR FOAM FILTER
	1JDA105000	UD70065	F-40 PRE-MOTOR FOAM FILTER
11	2JDA221000	ALL	REAR HOUSING AND WIRING
12	1JDA222000	ALL	CORD HOOK
13	2JDA220000	ALL	MOTOR ASSEMBLY
14	1JDA218000	ALL	EXHAUST FILTER DOOR ASSEMBLY
15	1JDA219000	UD70090, UD70095	HEPA EXHAUST FILTER
	1JDA103000	UD70065	F-41 CHARCOAL HEPA EXHAUST FILTER
16	1JDA223000	ALL	SEAL - EXHAUST FILTER
17	1JDA250000	ALL	LIGHT BULB
18	1JDA260000	ALL	LIGHT BULB LENS
19	2JDA224000	ALL	NOZZLE ASSEMBLY
20	1JDA227000	ALL	HANDLE RELEASE PEDAL
21	1JDA225000	ALL	PIVOT COVER - LEFT
22	1JDA226000	ALL	PIVOT COVER - RIGHT
23	2JDA228000	ALL	ROLLER LIFTER ASSEMBLY
24	2JDA240000	ALL	NOZZLE GUARD ASSEMBLY
25	2JDA230000	ALL	BRUSH ROLL ASSEMBLY
26	38528040	ALL	STYLE 23 BELT
27	1JDA210000	ALL	DIRT CUP ASSEMBLY
28	1JDA210000	UD70090, UD70095	GASKET - DIRT CUP
29	2JDA208000	UD70090, UD70095	DIRT CUP LID ASSEMBLY
	2JDA100000	UD70065	DIRT CUP LID ASSEMBLY
30	2JDA214000	UD70090, UD70095	HOSE ASSEMBLY

UD70065
UD70090
UD70095



**Power Reach.
Multi-Cyclonic Bagless**



PART LISTING

Item	Part Number	Model's to Fit	Part Description
31	2JDA203000	UD70090	2 IN 1 TOOL ASSEMBLY
	2JDA102000	UD70065, UD70095	2 IN 1 TOOL ASSEMBLY - PET
32	1JDA212000	A _{LL}	CREVICE TOOL
33	1JDA211000	A _{LL}	EXTENSION WAND
34	2UTT000000	UD70090	TURBO TOOL
	2JDA101000	UD70065, UD70095	TURBO TOOL - PET

MODEL No.

UD70065

UD70090

UD70095