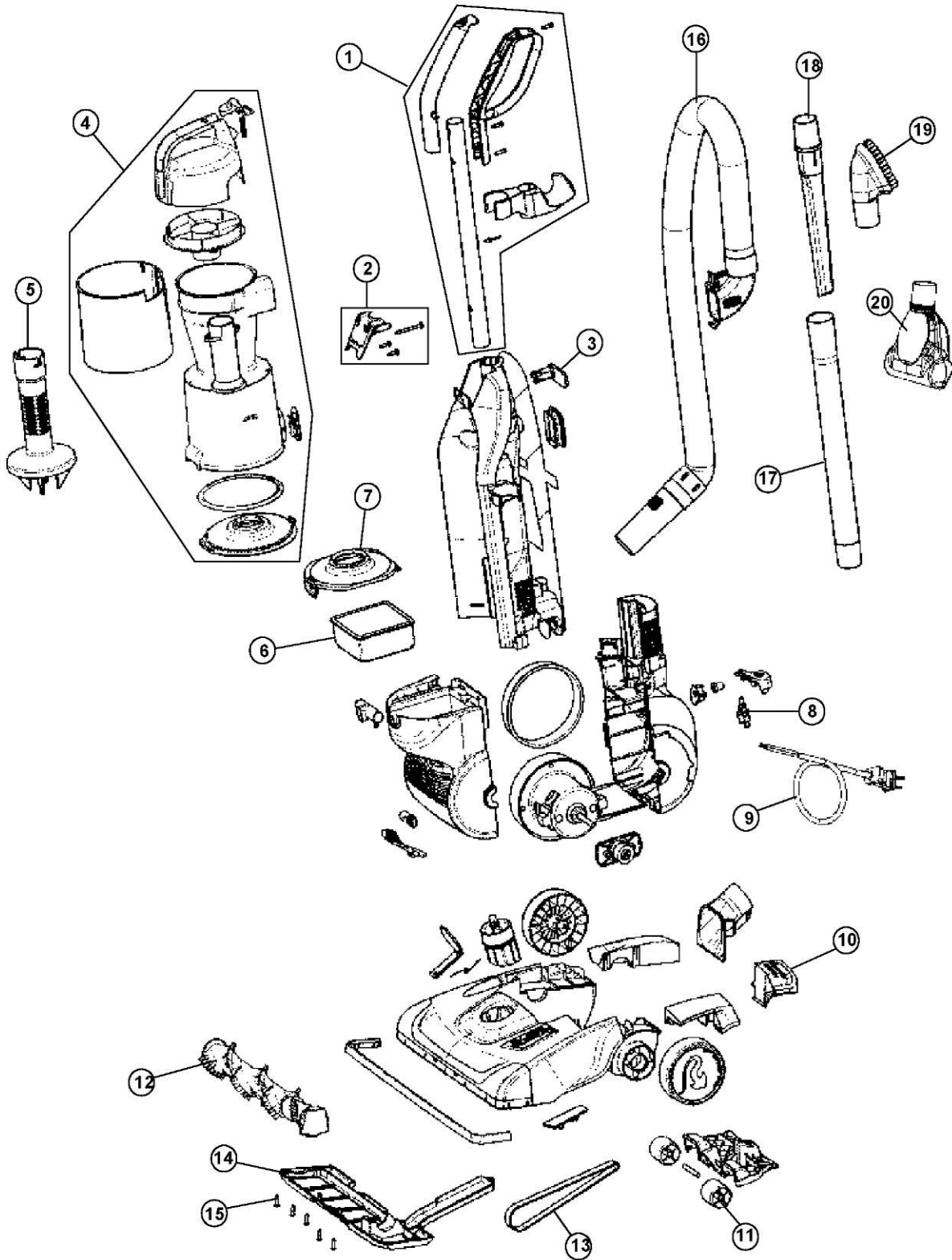




TOTAL VISION

Cyclonic Upright Vacuum

UD70220





UD70220

| Item | Part Number | Models To Fit | Part Description |
|------|-------------|---------------|--------------------------------|
| 1 | 304401001 | UD70220 | HANDLE ASSEMBLY |
| 2 | 304782001 | UD70220 | ASSEMBLY HARDWARE PACKAGE |
| 3 | 515710003 | UD70220 | UPPER COOK HOOK |
| 4 | 304699001 | UD70220 | DIRT CUP ASSEMBLY |
| 5 | 304700001 | UD70220 | BAFFLE TUBE |
| 6 | 304707001 | UD70220 | F-59 FILTER ASSEMBLY WITH FOAM |
| 7 | 522843001 | UD70220 | FILTER COVER |
| 8 | 760194008 | UD70220 | POWER SWITCH |
| 9 | 1855240600 | UD70220 | POWER CORD - 25' |
| 10 | 522850001 | UD70220 | HANDLE RELEASE PEDAL |
| 11 | 590217002 | UD70220 | FRONT WHEEL |
| 12 | 304397001 | UD70220 | BRUSH ROLL ASSEMBLY |
| 13 | 1540310001 | UD70220 | STYLE 5 (4/5) BELT |
| | 3720310001 | UD70220 | STYLE 5 (4/5) BELT - 2 PACK |
| 14 | 522856001 | UD70220 | NOZZLE GUARD |
| 15 | 660021002 | UD70220 | SCREW - 8 X 16MM |
| 16 | 304399001 | UD70220 | HOSE ASSEMBLY |
| 17 | 590768009 | UD70220 | EXTENSION WAND |
| 18 | 515362001 | UD70220 | CREVICE TOOL |
| 19 | 300840002 | UD70220 | DUSTING BRUSH ASSEMBLY |
| 20 | 100437013 | UD70220 | TURBO TOOL |