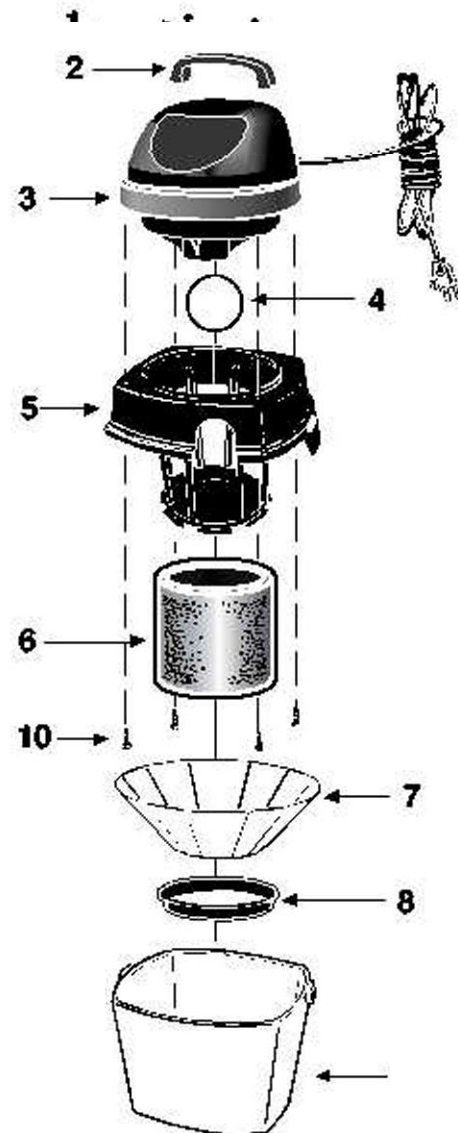


shop·vac®

Model - 2015A

Catalog 2011711

Lowes



rrEM	DESCRIPTION	PART NO.
1	Hex Head Screw #10 x 3/4" Type AB	SV-1503999
2	Handle	2410000
3	Power Unit Assembly	8104097
4	Ball Float	0081100
5	Lid Cage Assembly	3180500
6	Foam Sleeve	9058562
7	Reusable Dry Filter	SV-90107
8	Filter Ring	SV-3006500
9	Tank	3150109
10	Screw #10 x 3/4" Type AB PH	1506099