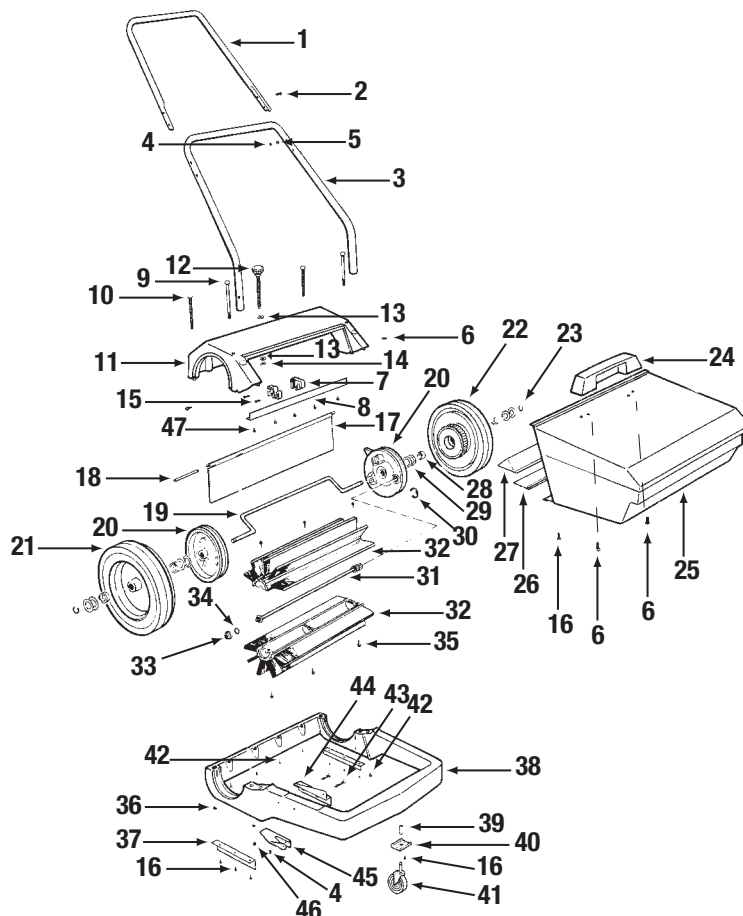


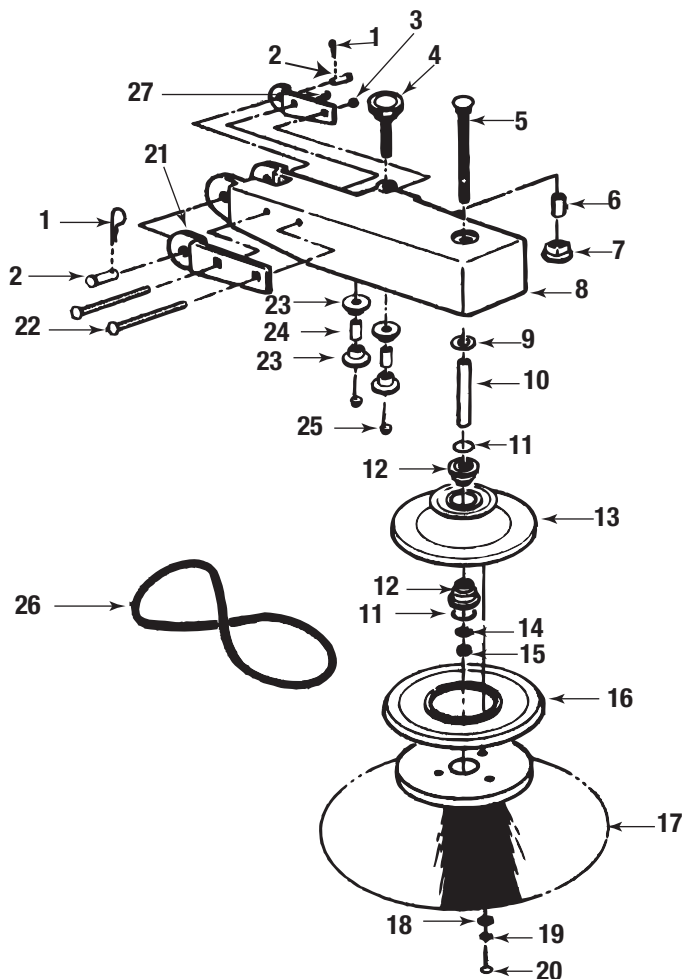
ITEM	DESCRIPTION	PART NO.
1	Upper Handle	3512701
2	¼ - 20 x 1¼" Slotted Truss Head Screw	0809999*
3	Lower Handle	3512601
4	¼" - 20 Hex Nut	1300199*
5	¼" External Tooth Lockwasher	2301099*
6	¼" x 1" Phillips Truss Head Screw (Type BT)	1508399*
7	Height Adjustment Nut (Half)	3510200
8	Seal - Hopper	3511801
9	5/16 - 18 x 4½" Round Head Bolt	6401099*
10	5/16 - 18 x 5½" Round Head Bolt (Square Neck)	6401199*
11	Rear Housing	3517096
12	Main Broom Adjustment Knob	3513200
13	3/8" Flat Washer	0703299*
14	Set Screw Collar	3514200
15	#10 x 1" Slotted Hex Head Screw (type BF)	1508499*
16	#10 x ¾" Phillips Pan Head Screw (type AB)	1506099*
17	Rear Floor Seal	3516400
18	Rear Seal Support Rod	3515700
19	Axle	3514500
20	Pivot Hub	3511600
21	Wheel and Bearing Assembly Includes 1 Wheel (3512801) and 2 Bearings (3510900)	3515896
22	Wheel and Clutch Assembly	3515996
23	Retaining Ring	3600999
24	Hopper Handle	3511400
25	Hopper	3516197
26	Floor Blade	3512100
27	Floor Blade Retainer	3511300
28	Wheel Bearing	3510900
29	½" Flat Washer	0703499*
30	External E-Ring	3601099
31	Broom Shaft Assembly	3515496
32	Main Broom (Half)	3514400
33	Bearing	3513100
34	O-Ring	7403999
35	1¾" x #10 Phillips Pan Head Screw (Type A)	1512699*
36	Serrated Hex Flange Nut 5/16"	1258400
37	Floor Seal (sides)	3511800
38	Main Frame	3510000
39	Caster Socket	3510800
40	Caster Support	3512500
41	Caster	6772800
42	¼ x 1½" Hex Head Screw (Type AB)	1511899*
43	¼ - 20 x 1¾" Round Head Bolt (Square Neck)	6400799*
44	Inner Sidearm Mounting Bracket	3512400
45	Outer Sidearm Mounting Bracket	3512300
46	¼" Lockwasher	0200299*
47	Screw #10 x 5/8"	1505499*



(*) Standard hardware item, available locally.

** Replacement parts may differ from original equipment.

ITEM	DESCRIPTION	PART NO.
1	Hairpin	7000299
2	Clevis pin	3513300
3	1/4" - 20 hex nut	1300199*
4	Stop adjustment knob	3518300
5	3/8 - 16 x 4" Round head bolt, (square neck)	6400999*
6	3/8" Threaded insert	7300199
7	Stop adjustment foot	3510300
8	Side broom arm	3511100
9	1/2" Flatwasher	0701599*
10	Side broom shaft	3512900
11	O-ring	7403999
12	Bearing	3513100
13	Side broom cover	3510400
14	3/8" Lockwasher	0200699*
15	3/8" - 16 Hex nut	1302899*
16	Side broom bumper	3510500
17	Side broom	3511700
18	1/4" Flatwasher	0700399*
19	1/4" Lockwasher	0200299*
20	1/4 x 1" Slotted pan head screw (type AB)	1511599*
21	Sidarm bracket	3512200
22	1/4 - 20 x 3" Round head square neck bolt	6400899*
23	Belt guide	3510700
24	Spacer	1101799
25	1/4 x 1 1/2" Hex head screw (type AB)	1511899*
26	Belt	3514000
27	1/4" Lockwasher	0200299*



(*) Standard hardware item, available locally.

** Replacement parts may differ from original equipment.