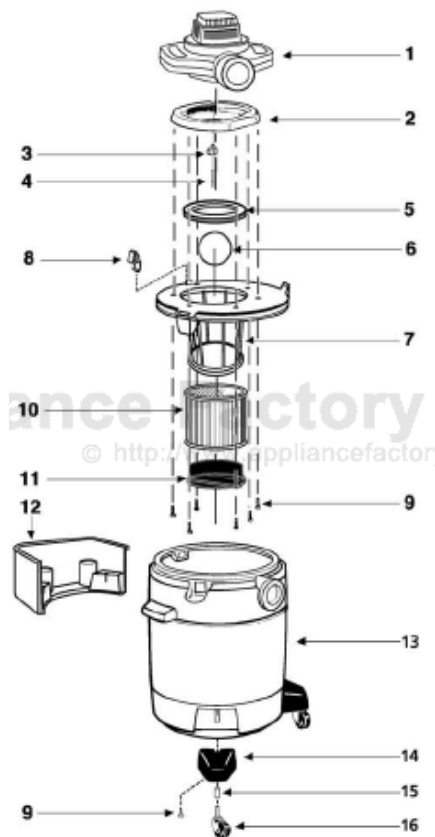


This Owner's Manual is provided and hosted by Appliance Factory Parts.



Shop Vac 3333.OH Owner's Manual

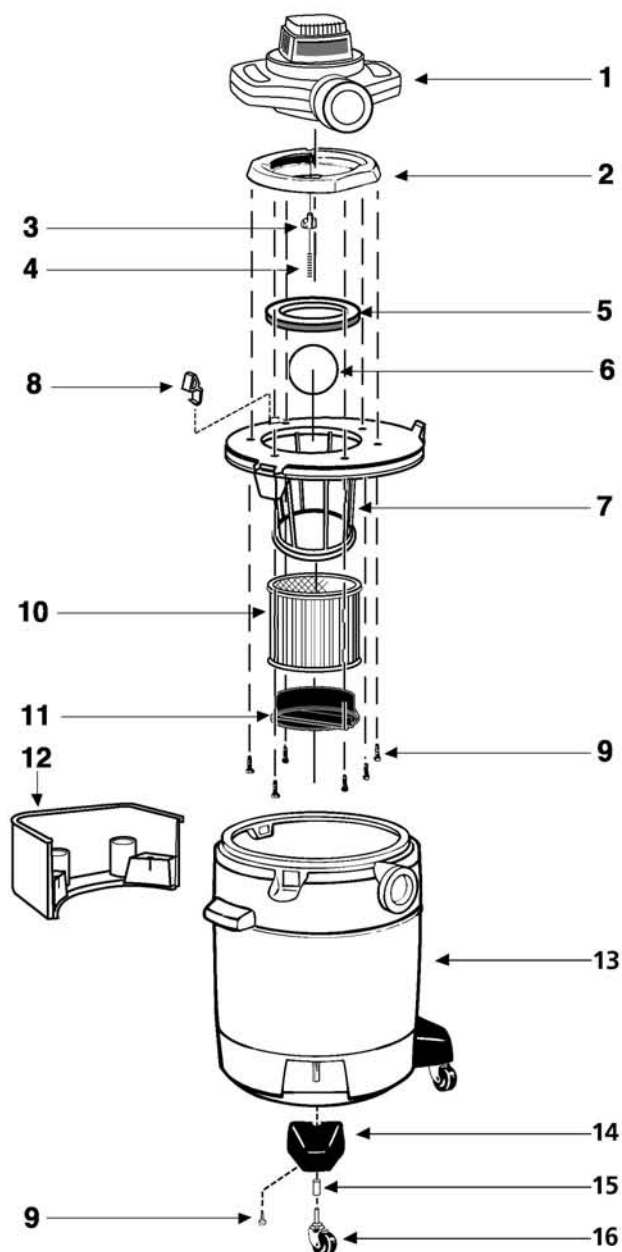
[Shop genuine replacement parts for Shop Vac 3333.OH](#)



[Find Your Shop Vac Vacuum Cleaner Parts - Select From 487 Models](#)

----- Manual continues below -----

Model - 3333.OH



ITEM	DESCRIPTION	PART NO.
1	Detachable Blower (Power Unit)	8694097
2	Adapter	8541100
3	Release Lever	8542800
4	Spring	2800799
5	Gasket	2071900
6	Ball Float	0081100
7	Lid Cage & Latch Assembly	8965724
8	Lid Latch	85501-01
9	Screw Hex Head #10 x 3/4 Type AB	1503999
10	Cartridge Filter	9030462
11	Filter Retainer	3008000
12	Accessory Caddy	8564000
13	Tank Assembly	8494997
14	Caster Foot	8565000
15	Caster Retainer	8565500
16	Caster	6771200

STANDARD ACCESSORIES

- 7' x 1 1/4" hose with extension nozzle
- 2 - 1 1/4" extension wands
- 10" wet/dry nozzle
- 10" squeegee insert
- 1 - 2-1/2" blower wand
- blower nozzle with connector
- air diffuser
- concentrator nozzle

TWO-YEAR HOME USE WARRANTY

Your Shop-Vac® vacuum cleaner is warranted in normal household use, in accordance with the User Manual, against original defects in material and workmanship for a period of two years from date of purchase. Should this product be used for commercial or rental use, a 90 day limited warranty will apply. Shop-Vac Corporation warrants placing this vacuum cleaner in correct operating condition, by repair or parts replacement, during the warranty period, without charge. This warranty does not cover accessories. Use of non-recommended filters and/or accessories may void the manufacturer's warranty.