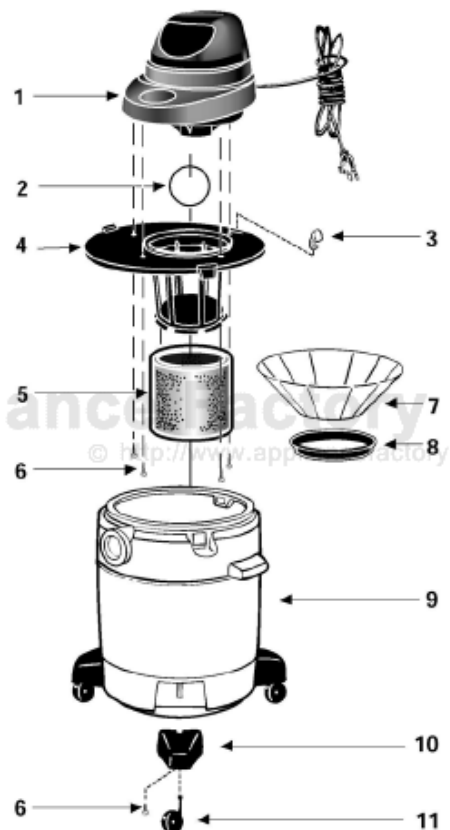


This Owner's Manual is provided and hosted by [Appliance Factory Parts](http://www.appliancefactoryparts.com).



Shop Vac 4020 Owner's Manual

[Shop genuine replacement parts for Shop Vac 4020](#)



[Find Your Shop Vac Vacuum Cleaner Parts - Select From 487 Models](#)

----- Manual continues below -----

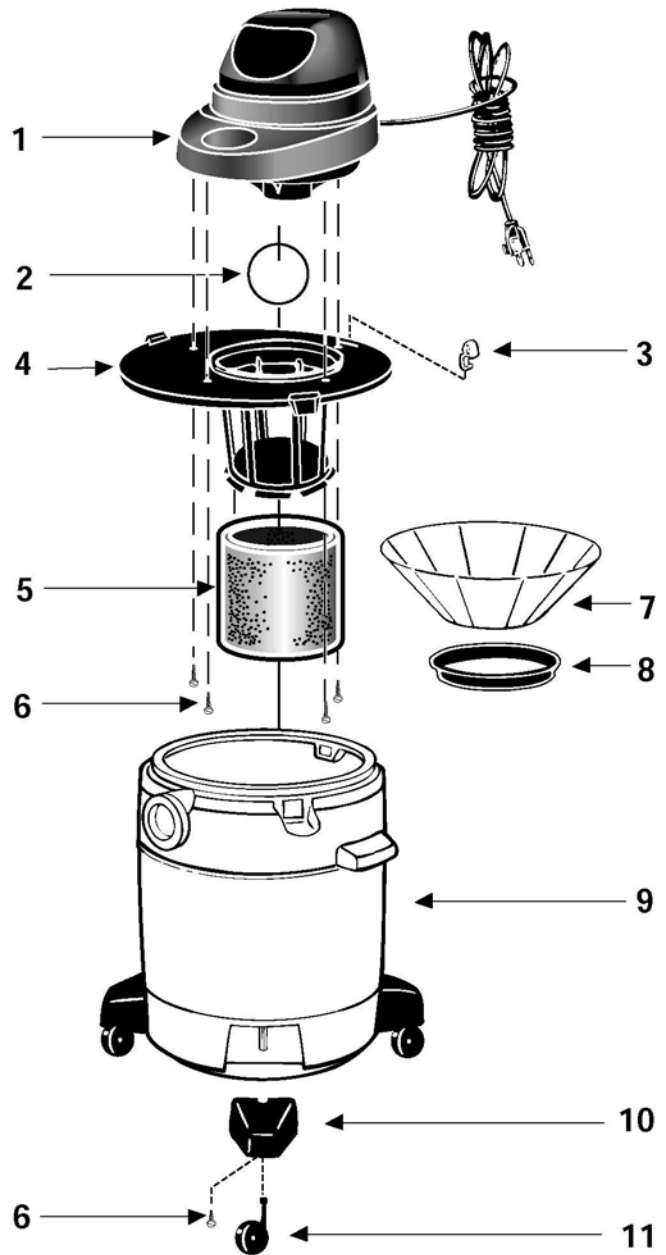
shop-vac®

Model - 4020

Catalog 401-01-00 (5 Gal.)

401-02-00 (6 Gal.)

401-02-57 (6 Gal.)



ITEM	DESCRIPTION	PART NO.
1	Power Unit Assembly	8100397
2	Ball Float	0081100
3	Lid Latch	8550101
4	Lid Cage & Latch Assembly	8921044
5	Foam Sleeve	9058562
6	Screw Hex Head #10 x 3/4 Type AB	1503999
7	Reusable Dry Filter	9010762
8	Filter Ring	3006500
9	Tank Assembly (5 gal.) (6 gal.)	8482797 8482897
10	Caster Foot	8581500
11	Caster	6773596

STANDARD ACCESSORIES

- 7' x 1¹/₄" hose with extension nozzle
- 10" wet/dry nozzle
- 2 - 1¹/₄" extension wands
- 10" squeegee insert

TWO-YEAR HOME USE WARRANTY

Your Shop-Vac® vacuum cleaner is warranted in normal household use, in accordance with the User Manual, against original defects in material and workmanship for a period of two years from date of purchase. Should this product be used for commercial or rental use, a 90 day limited warranty will apply. Shop-Vac Corporation warrants placing this vacuum cleaner in correct operating condition, by repair or parts replacement, during the warranty period, without charge. This warranty does not cover accessories. Use of non-recommended filters and/or accessories may void the manufacturer's warranty.