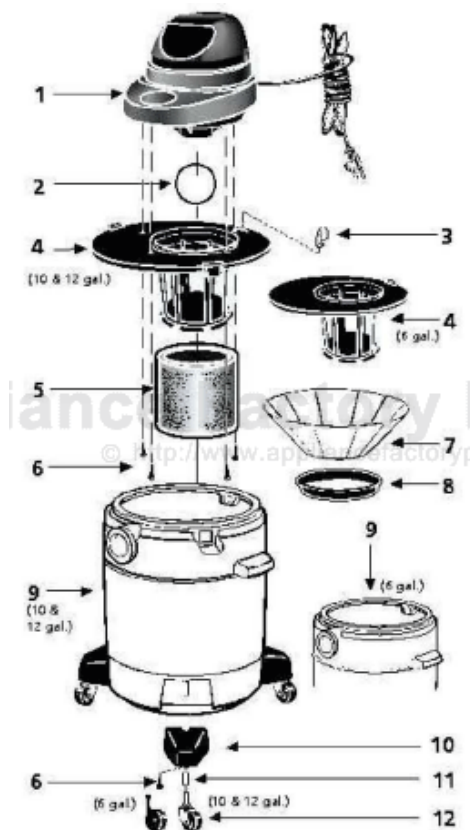


# Shop Vac 4030 Owner's Manual

[Shop genuine replacement parts for Shop Vac 4030](#)



[Find Your Shop Vac Vacuum Cleaner Parts - Select From 487 Models](#)

----- Manual continues below -----

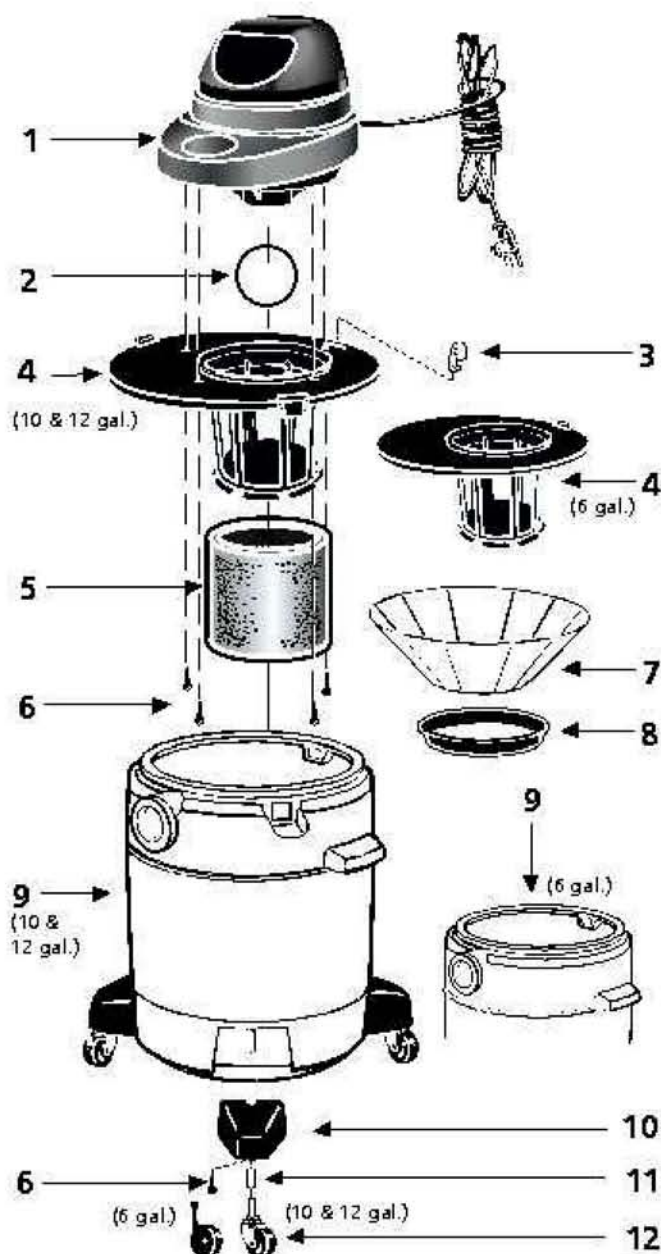
**shop-vac****Model - 4030**

Catalog 4010700 (6 Gal.)

4010900 (10 Gal.)

4010904 (10 Gal.)

4011000 (12 Gal.)



ITEM	DESCRIPTION	PART NO.
1	Power Unit Assembly	8100597
2	Ball Float	0081100
3	Lid Latch	8550101
4	Lid Cage & Latch Assembly (6 gal.) (10 & 12 gal.)	8921044 8965724
5	Foam Sleeve	9058562
6	Screw Hex Head #10 x 3/4 Type AB	1503999
7	Reusable Dry Filter	9010762
8	Filter Ring	9006500
9	Tank Assembly (6 gal.) (10 gal.) (12 gal.)	8482897 8494197 8494297
10	Caster Foot (6 gal.) (10 & 12 gal.)	8581500 8565000
11	Caster Retainer (10 & 12 gal.)	8565500
12	Caster (6 gal.) (10 & 12 gal.)	6773596 6771200

**STANDARD ACCESSORIES**

- 7' x 1 1/4" hose with extension nozzle
- 2 - 1 1/4" extension wands
- 10" wet/dry nozzle
- 10" squeegee insert

**TWO-YEAR HOME USE WARRANTY**

Your Shop-Vac® vacuum cleaner is warranted in normal household use, in accordance with the User Manual, against original defects in material and workmanship for a period of two years from date of purchase. Should this product be used for commercial or rental use, a 90 day limited warranty will apply. Shop-Vac Corporation warrants placing this vacuum cleaner in correct operating condition, by repair or parts replacement, during the warranty period, without charge. This warranty does not cover accessories. Use of non-recommended filters and/or accessories may void the manufacturer's warranty.