

**shop-vac®**

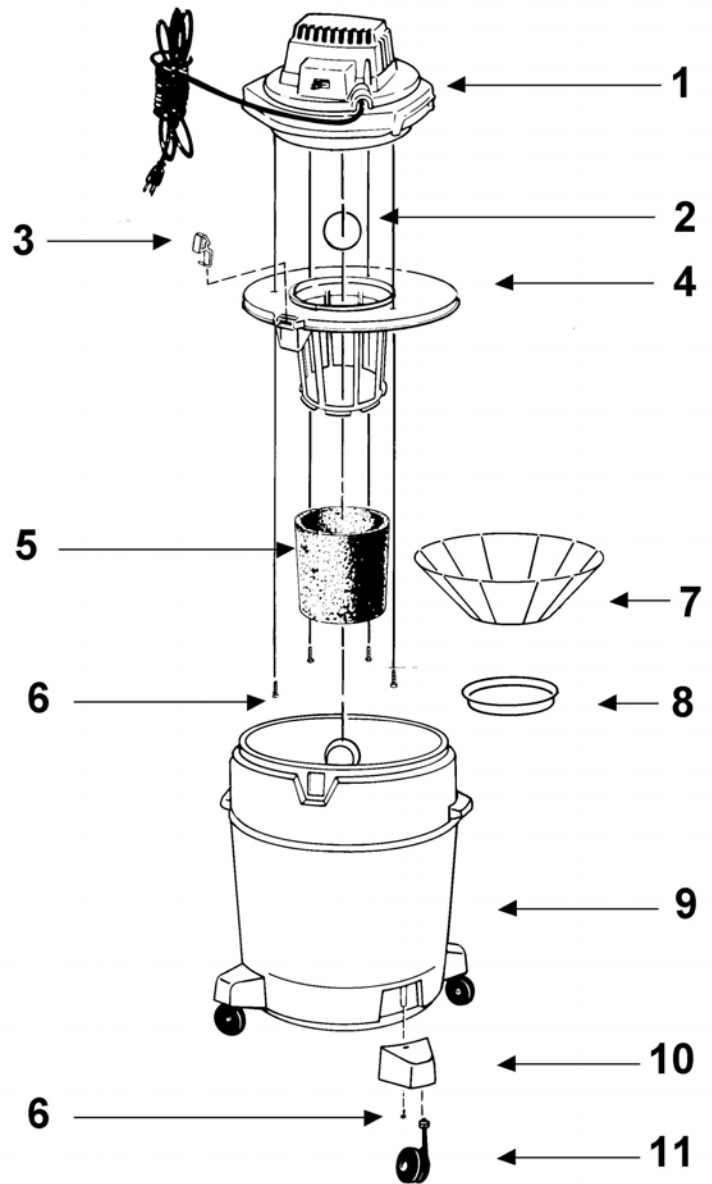
# Model 5015

Catalog 505-10

-11

-13

-14



ITEM	DESCRIPTION	PART NO.
1	Power Unit Assembly	86873-97-3
2	Ball Float	00811-00-0
3	Lid Latch	85501-01-3
4	Lid Cage & Latch Assembly	89230-14-8
5	Foam Sleeve	90585-62-1
6	Hex Head Screw #10 x 3/4" Type AB	15039-99-3
7	Reusable Dry Filter	90107-62-4
8	Filter Ring	30065-00-7
9	Tank Assembly (5 Gal.)	84827-97-1
10	Caster Foot	85815-00-9
11	Casters (Pkg. of 4)	42043-96-8

**STANDARD ACCESSORIES**

- 6' x 1-1/4" hose with extension nozzle
- 2 - 1-1/4" extension wands
- 10" wet/dry nozzle
- 10" squeegee insert

**505-13 ONLY**

- 6' x 1-1/4" hose with extension nozzle
- gulper nozzle

**TWO-YEAR HOME USE WARRANTY**

Your Shop-Vac® vacuum cleaner is warranted in normal household use, in accordance with the User Manual, against original defects in material and workmanship for a period of two years from date of purchase. Should this product be used for commercial or rental use, a 90 day limited warranty will apply. Shop-Vac Corporation warrants placing this vacuum cleaner in correct operating condition, by repair or parts replacement, during the warranty period, without charge. This warranty does not cover accessories. Use of non-recommended filters and/or accessories may void the manufacturer's warranty.

SC87514-81