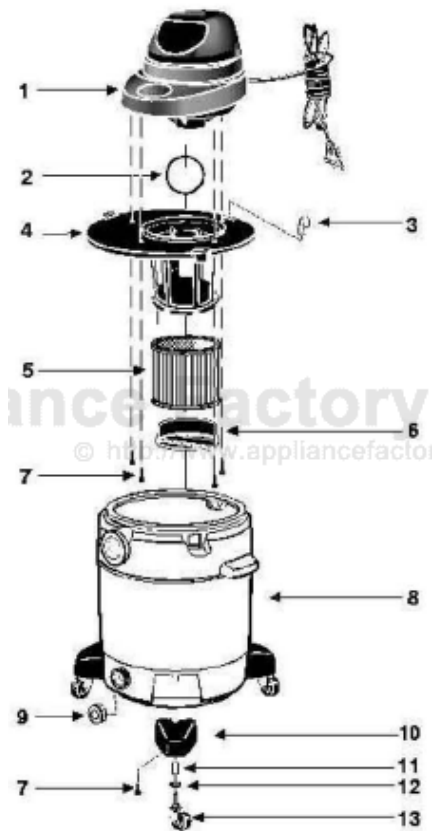


This Owner's Manual is provided and hosted by [Appliance Factory Parts](http://www.appliancefactoryparts.com).



Shop Vac 6060 Owner's Manual

[Shop genuine replacement parts for Shop Vac 6060](#)



[Find Your Shop Vac Vacuum Cleaner Parts - Select From 487 Models](#)

----- Manual continues below -----

SHOP VAC DOMESTIC

Model: 6060



- 1 **8100797**..... **Power Unit Assembly**
- 2 00811 Ball Float
- 3 8550101 Lid Latch
- 4 8965724 Lid Cage & Latch Assy, 12/16 gallon
- 4 SV-8724 Lid Cage & Latch Assy, 20/25 gallon
- 5 039993 Screw
- 6 90304 Filter Cartridge
- 7 3008000 Filter Retainer
- 8 8411300 Tool Holder
- 9 8494597 Tank Assy, 12 gallon
- 9 8494697 Tank Assy, 16 gallon
- 9 8456397 Tank Assy, 16 gallon
- 9 8494797 Tank Assy, 20 gallon
- 9 8494897 Tank Assy, 25 gallon
- 10 1062020 Drain Cap, 16 gallon
- 11 8565000 Caster Foot, 12/16 gallon
- 11 8565100 Caster Foot, 20/25 gallon
- 12 8565500 Caster Retainer
- 0704399 Flat Washer, 20/25 gallon
- 13 67712000 Caster, 12/16 gallon
- 13 6773600 Caster, 20/25 gallon

STANDARD ATTACHMENTS

- 2 1/2" Hose, 6 ft
- 2 1/2" Extension Wands (2)
- 6" Utility Nozzle

E-MAIL: sales@VACshopUSA.com WEB: www.VacsrUS.com

Shop Vac Model 6060