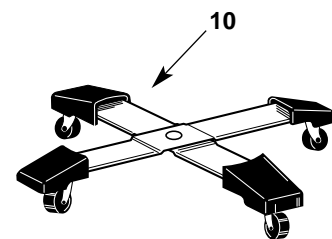
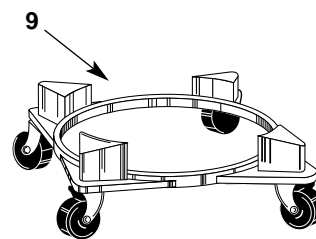
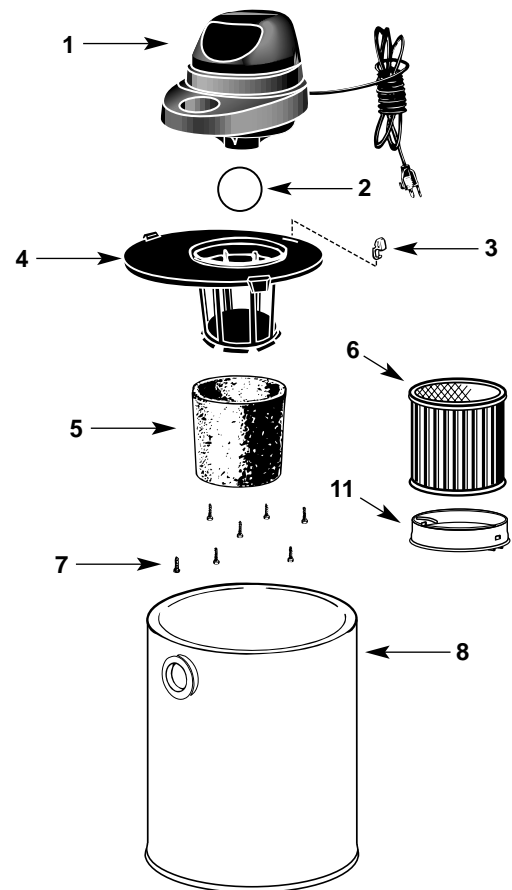


Model 8045A

Catalog 8500110 (6 Gal.)
8500210 (10 Gal.)



ITEM	DESCRIPTION	PART NO.
1	Power Unit	8620397
2	Ball float	0081100
3	Latch	8550101
4	Lid & cage w/ latch (6 gal.) (10 gal.)	8965724 8988724
5	Foam Sleeve	9058562
6	Cartridge Filter	9030462
7	Hex Head Screw #10 x 1" type AB	1503999
8	Tank (6 gal.) (10 gal.)	1040697 1040797
9	4-Wheel dolly (6 gal.)	9032600
10	Cross brace dolly w/casters (10 gal.)	9040700
11	Filter retainer	3008000



Standard Accessories:

7' x 1/4" Hose
(2) 1/4" Extension wands
12" Floor nozzle
12" Floor brush insert
12" Squeegee insert
1/4" Crevice tool
1/4" Round brush
1/4" Gulper nozzle

6' x 2 1/2" Hose
(2) 2 1/2" Extension wands
6" Utility nozzle