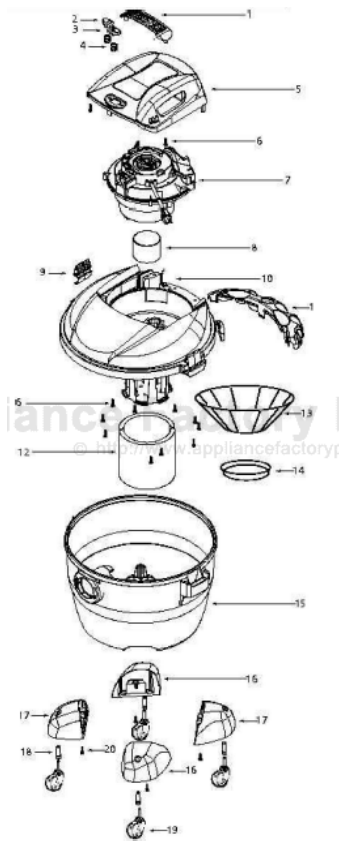


This Owner's Manual is provided and hosted by [Appliance Factory Parts](#).



Shop Vac 85L350 Owner's Manual

[Shop genuine replacement parts for Shop Vac 85L350](#)



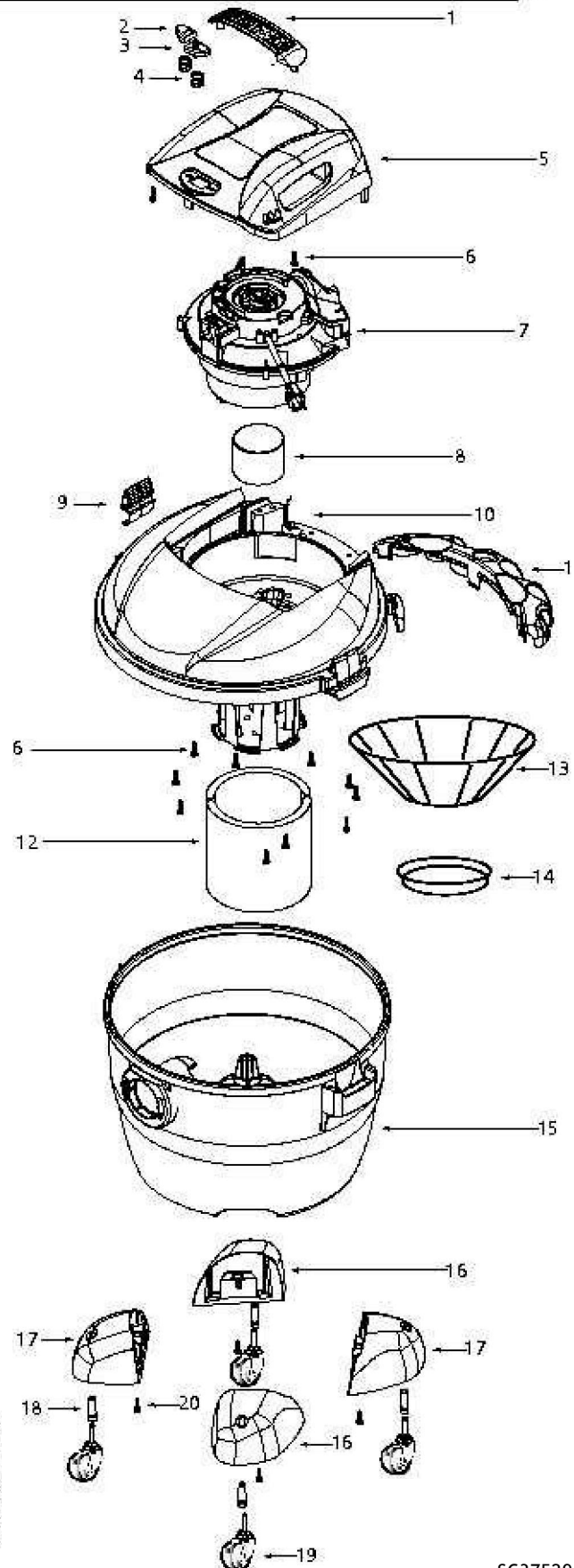
[Find Your Shop Vac Vacuum Cleaner Parts - Select From 487 Models](#)

----- Manual continues below -----

shop-vac®

Catalog 5850800
(8 Gal.)

Model - 85L350



ITEM	DESCRIPTION	PART NO.
1	Handle	
2	Switch Button – On	
3	Switch Button – Off	
4	Spring	
5	Motor Cover Assembly (Includes item 1-5)	
6	Screw 10 x 3/4" Trilobe T25 Head	
7	Power Unit Assembly	
8	Float	
9	Lid latch	
10	Lid Cage and Latch Assembly	
11	Tool Holder	
12	Foam Sleeve	
13	Reusable Dry Filter (Includes item 14)	
14	Filter Ring	
15	Tank Assembly	
16	Caster Foot A	
17	Caster Foot B	
18	Retainer	
19	Caster	
20	Screw 10 x 3/4" SL Hex Head	

STANDARD ACCESSORIES

- 7' x 1-1/4" hose
- 2- 1-1/4" extension wands
- 10" wet/dry nozzle
- 10" squeegee insert

TWO-YEAR HOME USE WARRANTY

Your Shop-Vac® vacuum cleaner is warranted in normal household use, in accordance with the User Manual, against original defects in material and workmanship for a period of two years from date of purchase. Should this product be used for commercial or rental use, a 90 day limited warranty will apply. Shop-Vac Corporation warrants placing this vacuum cleaner in correct operating condition, by repair or parts replacement, during the warranty period, without charge. This warranty does not cover accessories. Use of non-recommended filters and/or accessories may void the manufacturer's warranty.