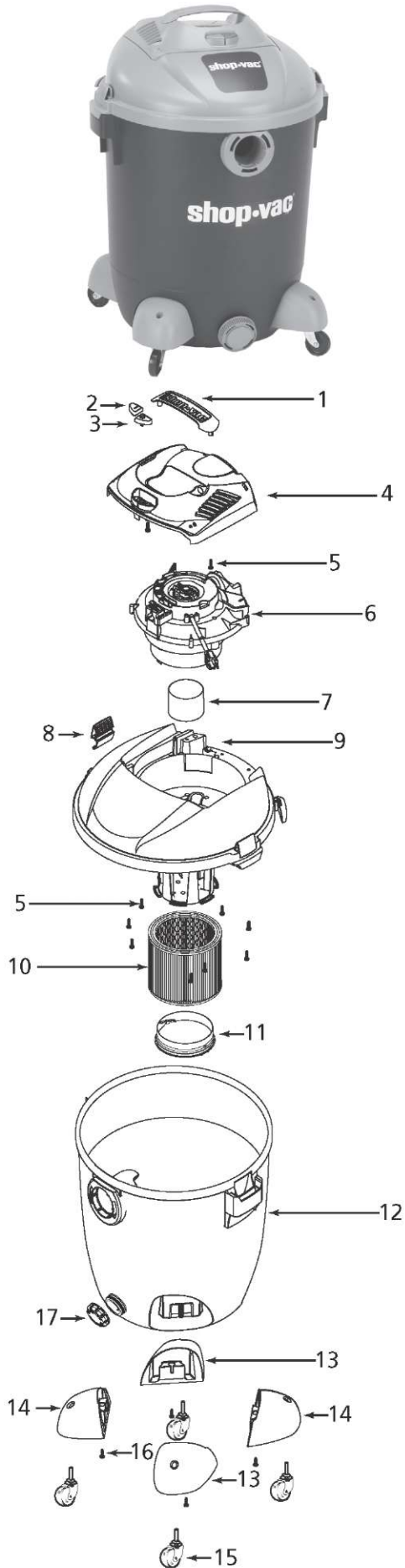


85L Series

Model 85L450



ITEM	DESCRIPTION	PART NO.
1	Handle	3751002
2	Switch Button - I	7414202
3	Switch Button - O	7414210
4	Motor Cover Assembly	3743026
5	Screw 10 x 1/4" Trilobe, Twin lead	1517699
6	Power Unit Assembly	8132997
7	Float	3545000
8	Lid Latch	7444502
9	Lid Cage and Latch Assembly	1944557
10	Cartridge Filter	90304
11	Filter Retainer	3008000
12	Tank Assembly	1944838
13	Caster Foot A	8568001
14	Caster Foot B	8568011
15	Caster	6771200
16	Screw 10 x 1/4" SL Hex Head	1503999
17	Drain Cover	7446801

⁷ Replacement parts may differ from original equipment.