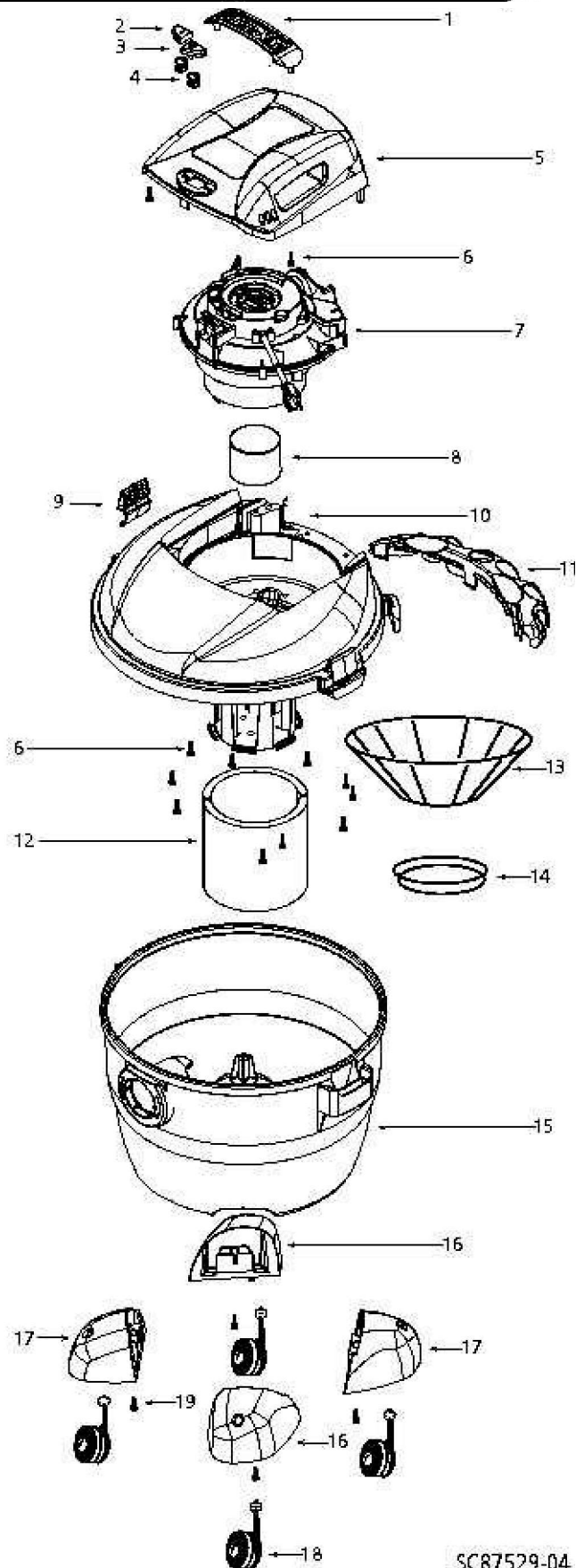
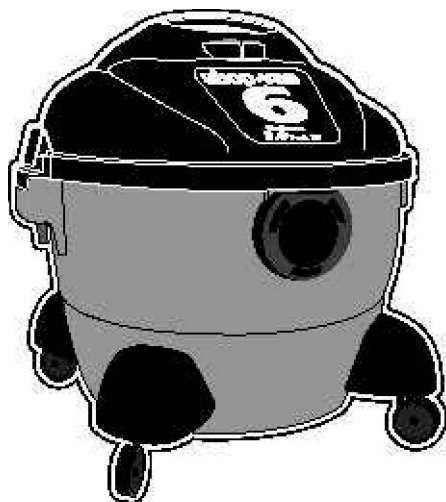


shop-vac®

Model - 85M300

Catalog 5850600
5850604
(6 Gal.)



ITEM	DESCRIPTION	PART NO.
1	Handle	3750000
2	Switch Button - On	7414200
3	Switch Button - Off	7414210
A	Spring	2802599
5	Motor Cover Assembly (Includes item 1-5)	1944114
e	Screw 10 x Trilobe T25 Head	1516599
7	Power Unit Assembly	SI 30497
s	Float	3545000
9	Lid latch	7444500
ID	Lid Cage and Latch Assembly	1944115
11	Tool Holder	S412000
12	Foam Sleeve	9055562
13	Reusable Dry Filter	9010762
14	Filter Ring	3006500
15	Tank Assembly	1025397
16	Caster Foot A	3567000
17	Caster Foot B	3567010
18	Caster	6773596
19	Screw 10x3/4" SL Hex Head	1503999

STANDARD ACCESSORIES

- 7' x 1-1/4" hose
- 2 - 1-1/4" extension wands
- 10" wet/dry nozzle
- 10" squeegee insert

TWO-YEAR HOME USE WARRANTY

Your Shop-Vac® vacuum cleaner is warranted in normal household use, in accordance with the User Manual, against original defects in material and workmanship for a period of two years from date of purchase. Should this product be used for commercial or rental use, a 90 day limited warranty will apply. Shop-Vac Corporation warrants placing this vacuum cleaner in correct operating condition, by repair or parts replacement, during the warranty period, without charge. This warranty does not cover accessories. Use of non-recommended filters and/or accessories may void the manufacturer's warranty.