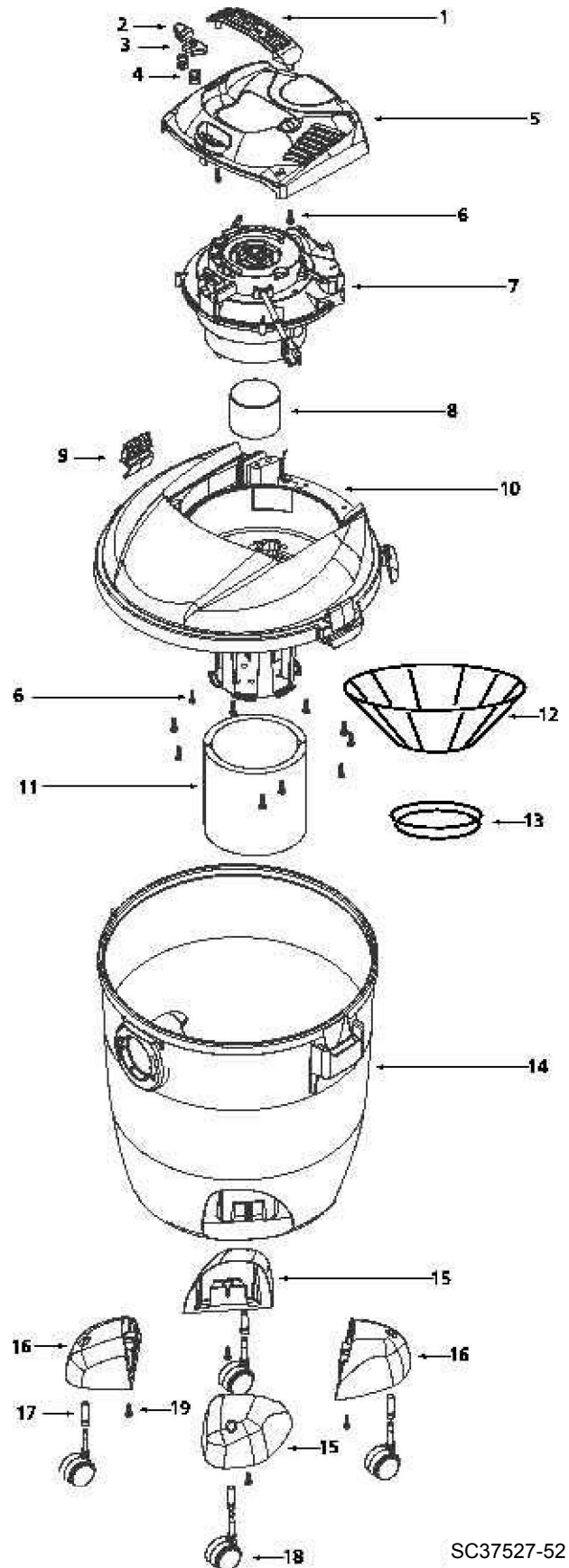


shop-vac®

Model - 86L300

Catalog 5861227
(10 Gal.) Walmart



ITEM	DESCRIPTION	PART NO.
1	Handle	3751000
2	Switch Button – On	7414200
3	Switch Button – Off	7414210
4	Spring	2SG2B99
5	Motor Cover Assembly	1944090
6	Screw 10 x 3/4" Trilobe T25 Head	151GS99
7	Power Unit Assembly	B130397
8	Float	3545000
9	Lid latch	7444500
10	Lid Cage and Latch Assembly	1944093
11	Foam Sleeve	905S5S2
12	Reusable Dry Filter (Includes item 13)	3010752
13	Mounting Ring	3Q0650Q
14	Tank Assembly	1023897
15	Caster Foot A	B5S7000
16	Caster Foot B	S5S7010
17	Retainer	8565500
18	Caster	6774200
19	Screw 10 x 3/4" SL Hex Head	1503999

STANDARD ACCESSORIES

- 7' x 1-1/4" hose
- 10" wet/dry nozzle
- 2 - 1-1/4" extension wands
- 10" squeegee insert

THREE-YEAR HOME USE WARRANTY

Your Shop-Vac® vacuum cleaner is warranted in normal household use, in accordance with the User Manual, against original defects in material and workmanship for a period of three years from date of purchase. Should this product be used for commercial or rental use, a 90 day limited warranty will apply. Shop-Vac Corporation warrants placing this vacuum cleaner in correct operating condition, by repair or parts replacement, during the warranty period, without charge. This warranty does not cover accessories. Use of non-recommended filters and/or accessories may void the manufacturer's warranty.