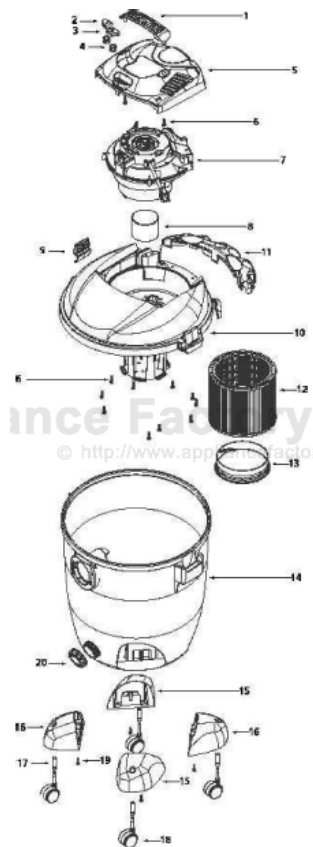


This Owner's Manual is provided and hosted by [Appliance Factory Parts](http://www.appliancefactoryparts.com).



Shop Vac 86L400 Owner's Manual

[Shop genuine replacement parts for Shop Vac 86L400](#)



[Find Your Shop Vac Vacuum Cleaner Parts - Select From 487 Models](#)

----- Manual continues below -----

shop-vac®

Model - 86L400

Catalog 5863027
(12 Gal.) Walmart



ITEM	DESCRIPTION
1	Handle
2	Switch Button - On
3	Switch Button - Off
4	Springs
5	Motor Cover Assembly
6	Screw 10 x 3/4" Trilobe T25 Head
7	Power Unit Assembly
8	Float
9	Lid latch
10	Lid Cage and Latch Assembly
11	Tool Holder
12	Cartridge Filter (Includes item 13)
13	Filter Retainer
14	Tank Assembly
15	Caster Foot A
16	Caster Foot B
17	Retainer
18	Caster
19	Screw 10 x 3/4" SL Hex Head
20	Drain Cover

STANDARD ACCESSORIES

- 7' x 1-1/4" hose
- 10" wet/dry nozzle
- 2 - 1-1/4" extension wands
- 10" squeegee insert

THREE-YEAR HOME USE WARRANTY

Your Shop-Vac® vacuum cleaner is warranted in normal household use, in accordance with the User Manual, against original defects in material and workmanship for a period of three years from date of purchase. Should this product be used for commercial or rental use, a 90 day limited warranty will apply. Shop-Vac Corporation warrants, during this warranty period, without charge, this vacuum cleaner in correct operating condition, by repair or parts replacement. Use of non-recommended filters and/or accessories may void the manufacturer's warranty.

