

This Owner's Manual is provided and hosted by [Appliance Factory Parts](#).



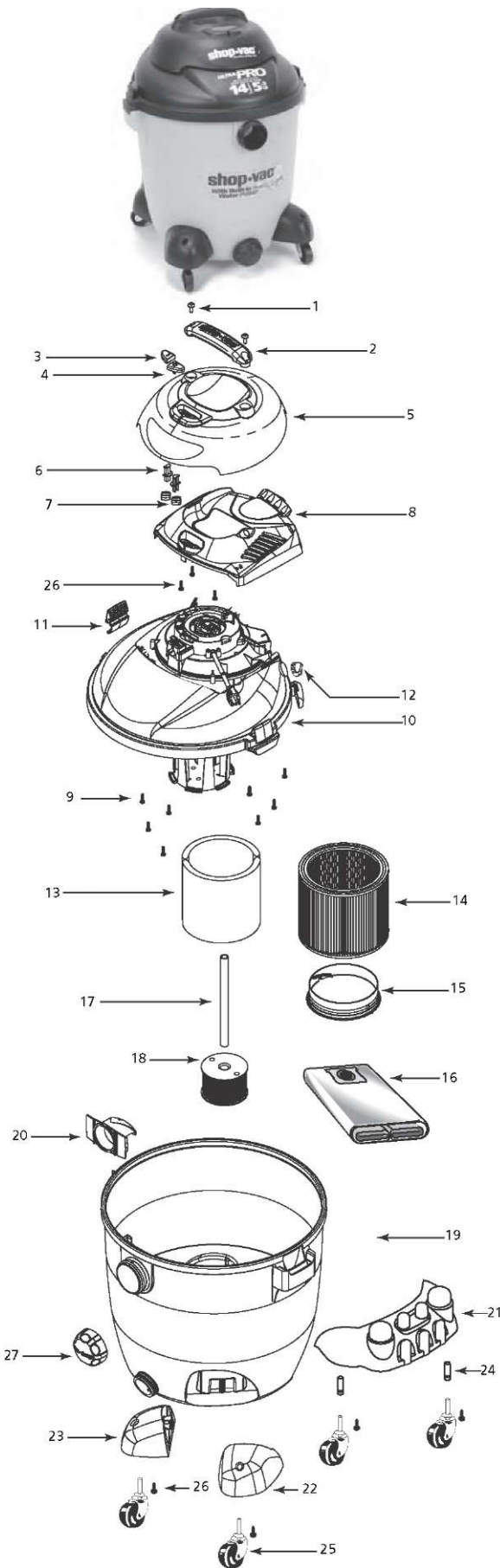
Shop Vac 92P550A Owner's Manual

[Shop genuine replacement parts for Shop Vac 92P550A](#)



[Find Your Shop Vac Vacuum Cleaner Parts - Select From 487 Models](#)

----- Manual continues below -----



ITEM	DESCRIPTION	PART NO.
1	Screw 1/4 x 3/4 Trilobe T30 HD	1516499
2	Handle	7444400
3	Switch Button - On	7414200
4	Switch Button - Off	7414210
5	Outer Motor Cover Assembly	1944217
6	Switch Button Extension	7414250
7	Spring	2802899
8	Inner Motor Cover	3743052
9	Screw 10 - 3/4" Trilobe T25 HD	1516599
10	Power Unit Assembly	1944218
11	Lid Latch	7444500
12	Outlet Fitting Cap	7443300
13	Foam Sleeve	9058562
14	Cartridge Filter	9030462
15	Filter Retainer	3008000
16	Collection Bag	9066262
17	Pickup Tube	2723107
18	Pickup Cage Assembly	7412250
19	Tank Assembly	1094897
20	Inlet Deflector	7413100
21	Rear Caster Dolly	7431135
22	Casterfoot A	8568000
23	Casterfoot B	8568010
24	Retainer	8565500
25	Caster	6772200
26	Screw 10 x 3/4" SL Hex Head	1503999
27	Drain Cover	7413620

STANDARD ACCESSORIES

- 8' x 2-1/2" Hose
- (2) 2-1/2" Extension wands
- 14" Floor nozzle
- Concentrator nozzle
- 2-1/2" Crevice tool
- 8" Utility nozzle
- Elbow grip

FOUR-YEAR HOME USE WARRANTY

Your Shop-Vac® vacuum cleaner is warranted in normal household use, in accordance with the User Manual, against original defects in material and workmanship for a period of four years from date of purchase. Should this product be used for commercial or rental use, a 90 day limited warranty will apply. Shop-Vac Corporation warrants placing this vacuum cleaner in correct operating condition, by repair or parts replacement, during the warranty period, without charge. This warranty does not cover accessories. Use of non-recommended filters and/or accessories may void the manufacturer's warranty.

For product service contact Shop-Vac Corporation, Customer Service, at (570) 326-3557 or e-mail service@shopvac.com. Shop-Vac assumes no responsibility for damage or faulty performance caused by misuse or careless handling, or where repairs or modifications have been made or attempted by others. Proof of purchase date is required. This warranty gives you specific legal rights, and you may also have other rights, which vary from state to state. This warranty is void outside of the United States.

^f Replacement parts may differ from original equipment.