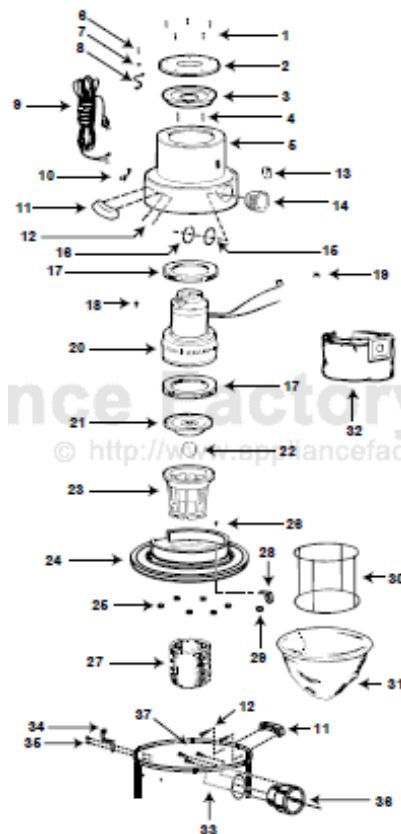


# Shop Vac 984A Owner's Manual

[Shop genuine replacement parts for Shop Vac 984A](#)

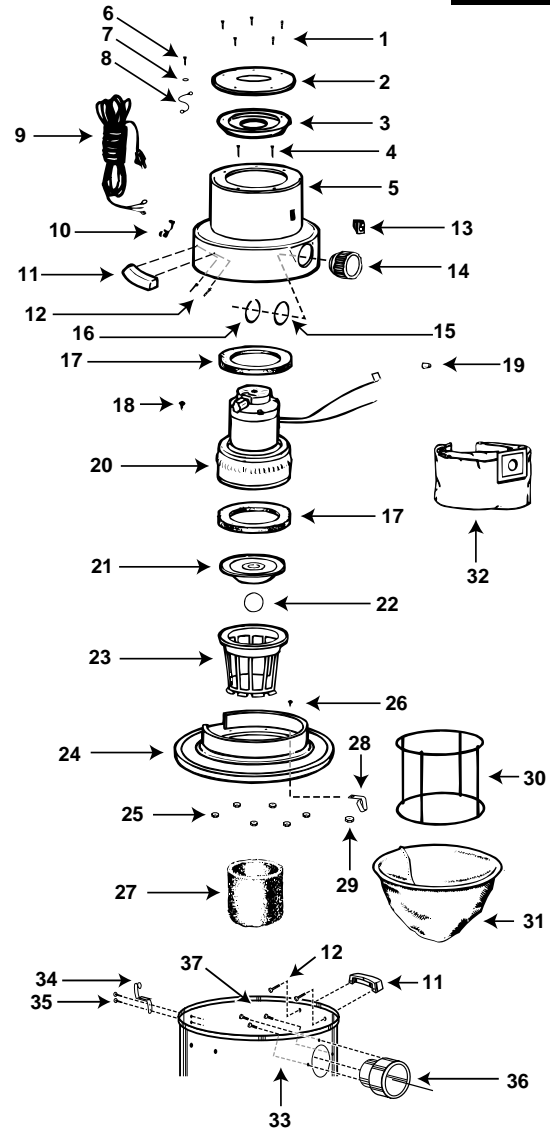


[Find Your Shop Vac Vacuum Cleaner Parts - Select From 487 Models](#)

----- Manual continues below -----

# Model 984A

Catalog **984-01-10** (15 Gal.)  
**984-02-10** (15 Gal. S/S)



ITEM	DESCRIPTION	PART NO.
1	#12 x 1/2" AB Ph pan head screw	15050-99-0
2	Motor cover	99364-00-2
3	Motor mounting plate	99360-10-9
4	Motor mounting screw #8-10 x 5/8" PH	15917-00-8
5	Motor housing	98608-96-1
6	#10 x 1/2" Hex head screw, type AB	15061-99-7
7	Internal tooth lockwasher	23004-99-7
8	Ground lead	42228-96-5
9	Power Cord	04291-96-9
10	Strain relief bushing	34004-99-4
11	Handle package (includes 2 handles and hardware)	93551-96-8
12	#10 x 3/4" Slotted hex head screw, type AB	15039-99-3
13	Switch	82303-04-1
14	Exhaust fitting	84600-00-6
15	Gasket O-ring	83234-00-5
16	Retaining ring	36002-99-6
17	Mid motor gasket	56300-00-7
18	Ground screw	17008-99-6
19	Wire nut	05001-99-5
20	Motor	13496-97-1
21	Grid plate	89400-10-5
22	Ball float	00811-00-0
23	Filter cage	87901-00-5
24	Foam lid	89878-00-3
25	#10 - 24 Washer base hex nut	13022-99-1
26	#10 - 24 x 3/8" Hex head screw	09003-99-7
27	Foam sleeve	90585-62-1
28	Filter cage clip	99384-00-0
29	#10 - 24 Hex nut	13009-99-8
30	Full filter frame	30037-00-6
31	Full polyester filter	90639-00-6
32	High efficiency collection bag	91907-10-5
33	Tank assembly for (15 gal.) (15 gal. S/S)	10415-97-4 10416-97-2
34	Clamp	01403-00-5
35	Rivet	03002-99-5
36	Inlet fitting	21720-01-6
37	#10 x 5/8" Slotted hex screw	15054-99-2

### Limited One-Year Warranty

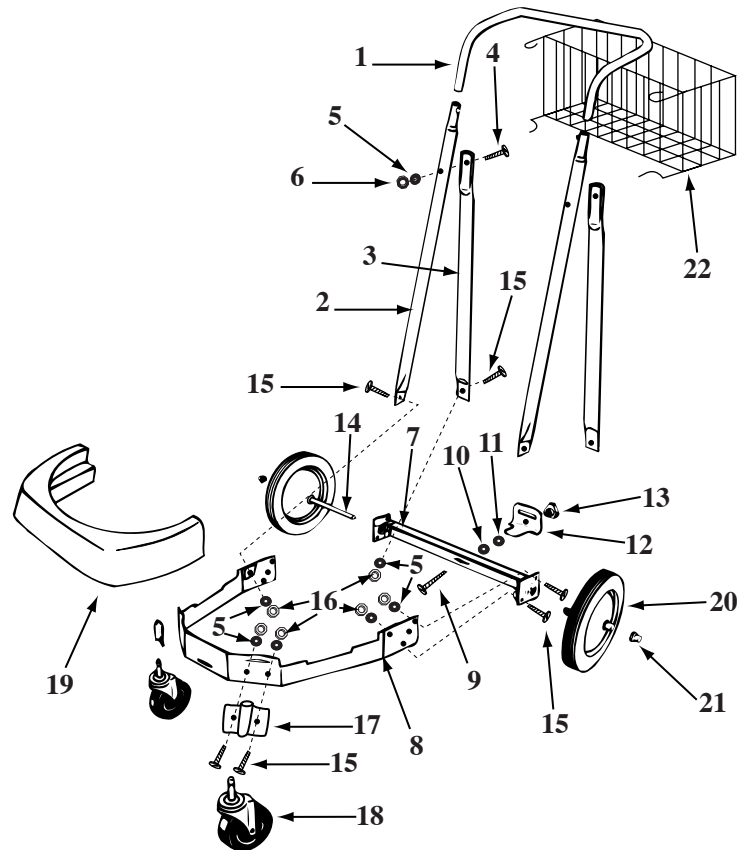
Shop-Vac Corporation warrants all Industrial, Commercial, and Contractor vacuum cleaners for one year from date of purchase to correct by repair or parts replacement without charge any product defect due to faulty material or workmanship, provided that the vacuum cleaner is not used for rental service.

#### Standard Accessories:

- 12' (3.66 m) x 1 1/2" (3.81 cm) Hose
- (2) 1 1/2" (3.81 cm) Metal extension wands
- 14" (35.56 cm) Metal master nozzle
- 14" (35.56 cm) Squeegee shoe
- 14" (35.56 cm) Brush shoe
- 14" (35.56 cm) Rug shoe
- Hose carrier



ITEM	DESCRIPTION	PART NO.
1	Handle (14") (16")	20855-02-9 20855-03-7
2	Handle upright	20856-01-9
3	Handle brace	20857-01-7
4	1/4 - 20 x 1 1/4" Hex head machine screw (Black)	09074-99-8
5	1/4" External tooth lockwasher	23010-99-4
6	1/4 - 20 Hex nut (Black)	13035-99-3
7	Rear dolly frame (14") (16")	20832-00-2 20837-00-1
8	Main dolly frame (14") (16")	20831-00-4 20836-00-3
9	5/16 - 18 x 2 1/2" Hex head bolt	09073-99-0
10	5/16" - Split lockwasher	02005-99-9
11	5/16 - 18 Hex nut	13003-99-1
12	Tank retainer bracket	20853-00-8
13	Threaded knob	23301-00-5
14	Axle (14") (16")	24406-00-1 24407-00-9
15	1/4 - 20 x 5/8" Hex head machine screw	09028-99-4
16	1/4 - 20 Hex nut	13001-99-5
17	Caster socket	75400-01-0
18	Caster	67729-00-4
19	Bumper (14") (16")	87810-01-6 87811-01-4
20	10" Wheel (25.4cm) Black Gray	24205-00-7 24207-00-3
21	Cap nut	43002-99-7
22	*Metal accessory basket (14") (16")	99358-01-2 99358-02-0



\*Optional

## Dolly Assembly Instructions

### Tools required:

(2) 1/2 inch open end wrenches, (2) 7/16 inch open end wrenches, or a socket set and a hammer.

1. Insert 2 1/2 inch long bolt through center hole in rear frame, attach split lockwasher, nut and tighten securely.
2. Attach handle brace to back of rear frame with 5/8 inch long machine screws, lockwashers, and nuts. (Finger tighten only.)
3. Position main frame inside rear frame. Attach (2) 5/8 inch long machine screws, lockwashers and nuts in both sides. Tighten securely.
4. Attach handle uprights, inside main frame (make sure buttons at top face inward) using 5/8 inch long machine screws, lockwashers and nuts. (Finger tighten only.) Align holes at top of handle braces with holes in handle uprights. Attach with 1 1/4 inch long machine screws, lockwashers and nuts. (Tighten securely.)
5. Go back and tighten machine screws at bottom of uprights and braces.
6. Attach caster sockets (open end down) to front of main frame using 5/8 inch long machine screws, lockwashers and nuts. Insert casters into sockets.
7. Attach handle onto uprights by pushing down and holding buttons in on uprights.
8. Place tank retaining bracket through slot and bolt in rear frame and screw on knob.
9. Slide bumper down over main dolly frame until it bottoms out.
10. Place axle upright on a hard surface and hammer on (1) cap nut. Place (1) wheel on axle and slide down to cap nut. Slide axle through rear of frame and slide on other wheel. Before assembling cap nut on other end of axle, be certain dolly is assembled correctly. (You may place tank on dolly and tighten knob of retaining bracket to be sure of correct assembly.)
11. After ensuring dolly is assembled correctly remove tank and place dolly on side with installed cap nut on hard surface and hammer second cap nut on axle.