

This Owner's Manual is provided and hosted by [Appliance Factory Parts](#).



Shop Vac LB625 Owner's Manual

[Shop genuine replacement parts for Shop Vac LB625](#)



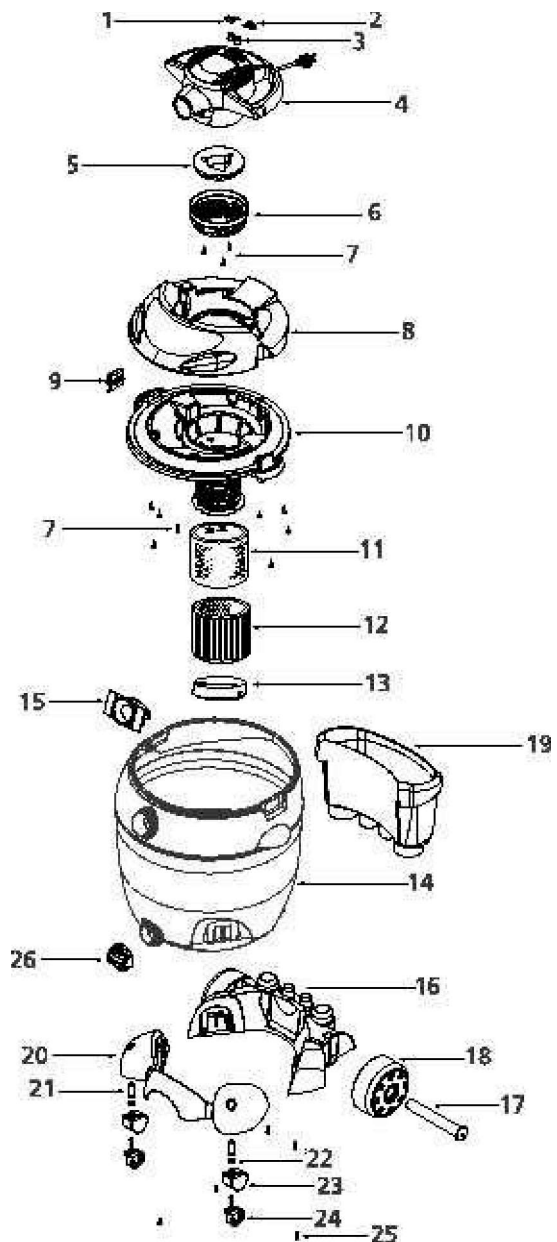
[Find Your Shop Vac Vacuum Cleaner Parts - Select From 487 Models](#)

----- Manual continues below -----

shop-vac®

Model - LB625

Catalog 9311811
(18 Gal.)



ITEM	DESCRIPTION	PART NO.
1	Switch Button - Red	744151D
2	Switch Button - Green	7441500
3	Springs	
4	Power Unit	723MS7
5	Foam Pad	B5412Q5
6	Inlet Shield	7442301
7	Screw 1/4 x 5/8 Trilobe T25 HD	1516033
8	Tank Cover	7442020
9	Lid Latch	7441601
10	Lid Cage & Latch Assembly	7441eso
11	Foam Sleeve	905*532
12	Cartridge Filter	903WG2
13	Filter Retainer	SO0BUCO
14	Tank Assembly	73E27#7
15	Inlet Deflector	7413100
16	Rear Wheel Dolly/Tool Holder	7440201
17	Axle	7410901
18	Rear Wheel	7440401
19	Accessory Basket	9084630
20	Front Caster Dolly	7430251
21	Retainer	S5S670C
22	Flatwasher	0704399
23	Caster Cover	7443000
24	Caster	S77S900
25	Screw 10 x 3/4 SL HX HD	15Q(i)099
26	Drain Cover	7443420

STANDARD ACCESSORIES

- 8' x 2 1/2" hose
- 2 - 2 1/2" extension wands
- 14" floor nozzle w/ brush
- 14" squeegee insert
- 2 - 2 1/2" crevice tool
- 8" utility nozzle
- 2 - 2 1/2" connector
- 2 - 2 1/2" blower nozzle
- concentrator nozzle
- hose holder

FOUR-YEAR HOME USE WARRANTY

Your Shop-Vac® vacuum cleaner is warranted in normal household use, in accordance with the User Manual, against original defects in material and workmanship for a period of four years from date of purchase. Should this product be used for commercial or rental use, a 90 day limited warranty will apply. Shop-Vac Corporation warrants placing this vacuum cleaner in correct operating condition, by repair or parts replacement, during the warranty period, without charge. This warranty does not cover accessories. Use of non-recommended filters and/or accessories may void the manufacturer's warranty.