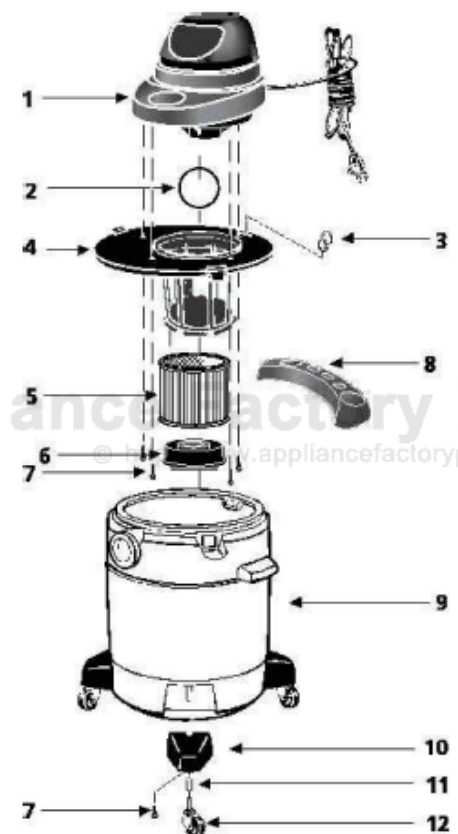


This Owner's Manual is provided and hosted by Appliance Factory Parts.



Shop Vac MSC4045 Owner's Manual

[Shop genuine replacement parts for Shop Vac
MSC4045](#)

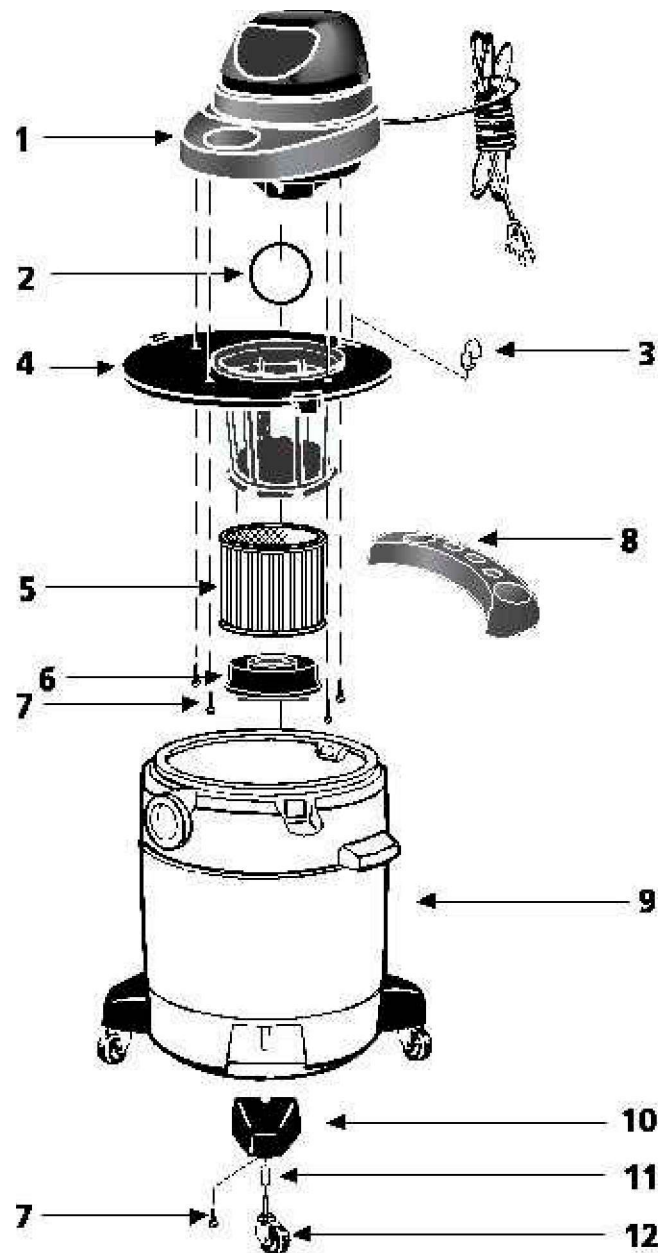


[Find Your Shop Vac Vacuum Cleaner Parts - Select From 487 Models](#)

----- Manual continues below -----

Hydro-Quick® Model - MSC4045

Catalog 4011316 (12 Gal.)



ITEM	DESCRIPTION	PART NO.
1	Power Unit Assembly	8105897
2	Ball Float	0081100
3	Lid Latch	8550101
4	Lid Cage & Latch Assembly	8965724
5	Cartridge Filter (Includes item 6)	8030462
6	Filter Retainer	3008000
7	Screw Hex Head #10 x 3/4 Type AB	1503999
8	Tool Holder	8411100
9	Tank Assembly	1024097
10	Caster Foot	8565000
11	Caster Retainer	8565500
12	Caster	6771200

STANDARD ACCESSORIES

- 6' x 2 1/2" hose
- 2 - 2 1/2" extension wands
- 8" utility nozzle
- 14" floor nozzle
- 14" squeegee insert
- crevice tool