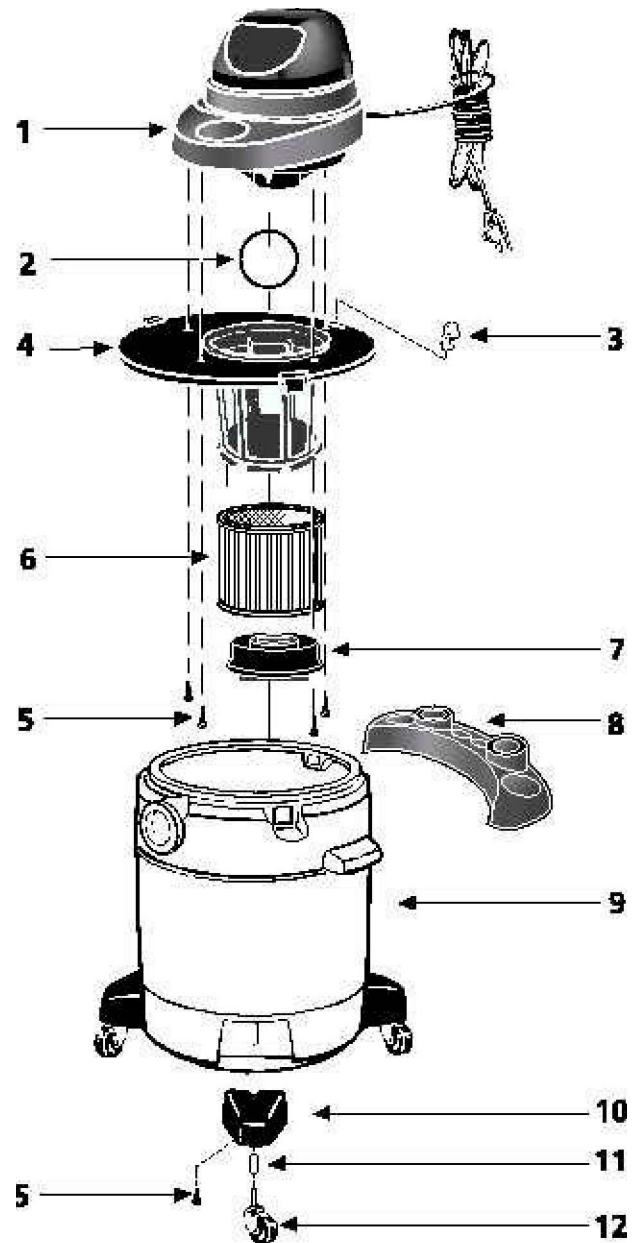


Hydro-Quick®

Catalog 6010216 (16 Gal.)

Model - MSC6050A



ITEM	DESCRIPTION	PART NO.
1	Power Unit Assembly	B105137
2	Bell Float	W41100
3	Lid Latch	660C101
4	Lid Cage & Latch Assembly	
5	Screw Hex Head #10 x 3/4 Type AB	1803BBS
6	Cartridge Filter (Includes item 7)	
7	Filter Retainer	
8	Tool Holder	B411300
9	Tank Assembly	1024307
10	Caster Foot	0510000
11	Caster Retainer	8565508
12	Caster	<i>brnxgj</i>

STANDARD ACCESSORIES

- 6' x 2 1/2" hose
- 2 - 2 1/2" extension wands
- 8" utility nozzle
- 14" floor nozzle
- 14" squeegee insert
- crevice tool