

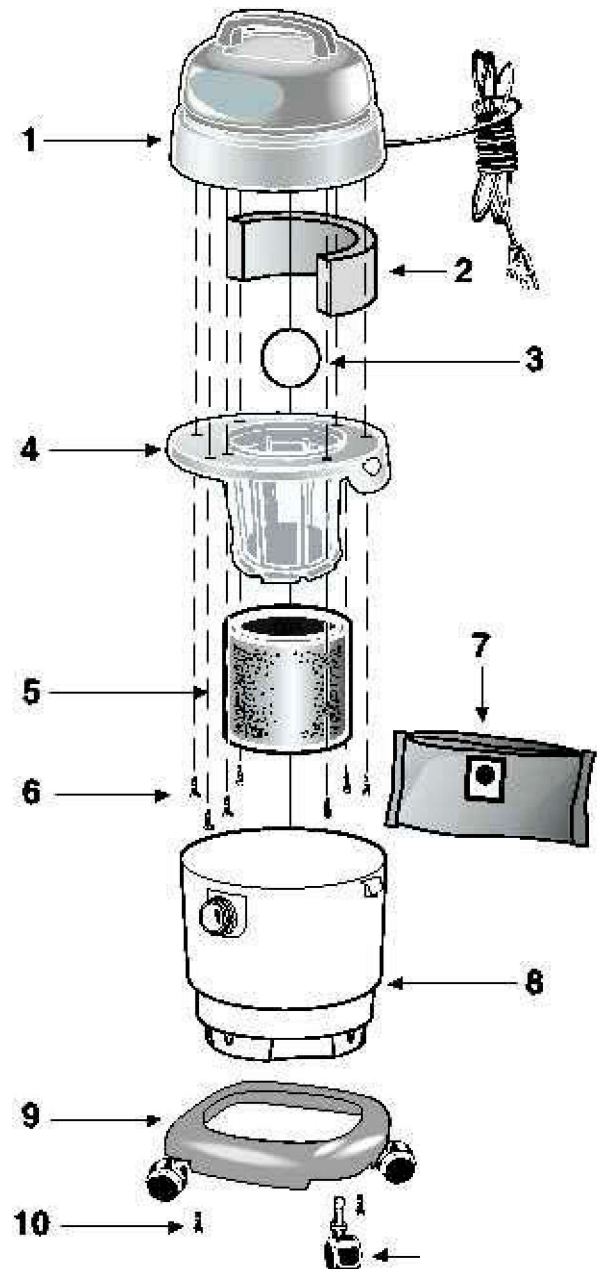
shop-vac®

Model - QAL80

Catalog 9710400 (3 Gal.)

9710427 (3 Gal.)

9710457 (3 Gal.)



ITEM	DESCRIPTION	PART NO.
1	Power Unit Assembly	8 110497
2	Foam Insert	1290WP
3	Ball Float	0081100
4	Lid Cage	3181 G00
5	Foam Sleeve	9058552
6	Screw Hex Head #10 x 3/4 Type AB	1503999
7	Collection Filter Bag	00
8	Tank Assembly	3151497
9	Dolly	31536C0
10	Screw #8 x 1/2 Ph Pan Hd Type A	1501599
11	Caster	6774280

STANDARD ACCESSORIES

- 6' x 1 1/4" hose with extension nozzle
- 2 - 1 1/4" extension wands
- 10" wet/dry nozzle
- 10" squeegee insert
- crevice tool
- gulper nozzle

THREE-YEAR HOME USE WARRANTY

Your Shop-Vac® vacuum cleaner is warranted in normal household use, in accordance with the User Manual, against original defects in material and workmanship for a period of three years from date of purchase. Should this product be used for commercial or rental use, a 90 day limited warranty will apply. Shop-Vac Corporation warrants placing this vacuum cleaner in correct operating condition, by repair or parts replacement, during the warranty period, without charge. This warranty does not cover accessories. Use of non-recommended filters and/or accessories may void the manufacturer's warranty.

SC87519-76