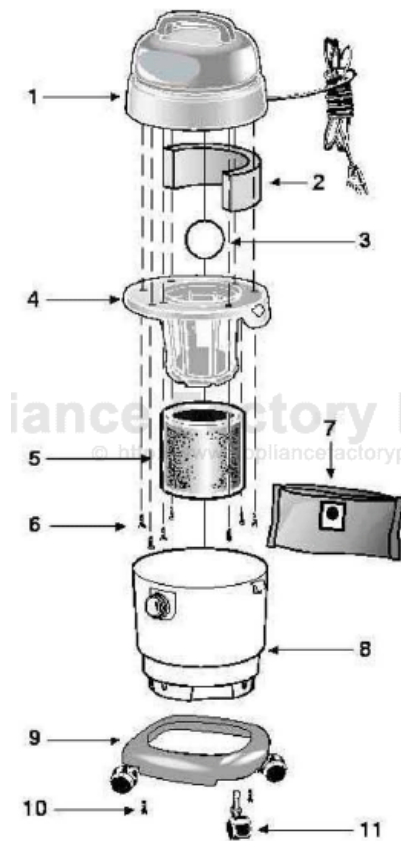


This Owner's Manual is provided and hosted by [Appliance Factory Parts](http://ApplianceFactoryParts.com).



Shop Vac QAL80A Owner's Manual

[Shop genuine replacement parts for Shop Vac QAL80A](#)



[Find Your Shop Vac Vacuum Cleaner Parts - Select From 487 Models](#)

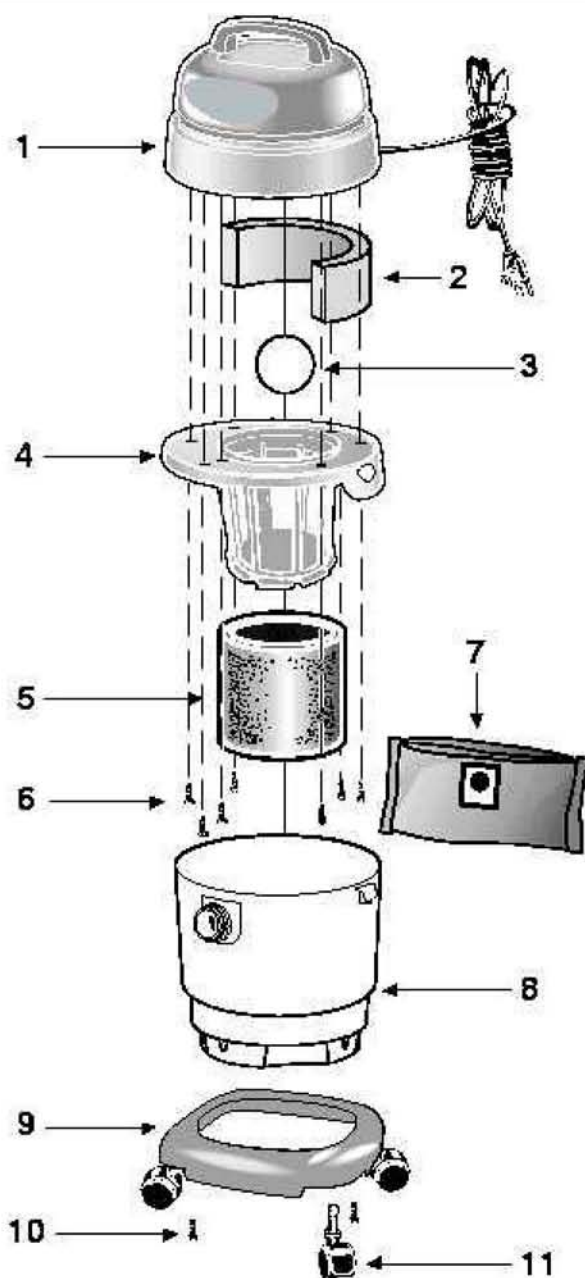
----- Manual continues below -----

shop-vac®**Model - QAL80A**

Catalog 9710400 (3 Gal.)

9710427 (3 Gal.)

9710457 (3 Gal.)



ITEM	DESCRIPTION	PART NO.
1	Power Unit Assembly	8110497
2	Foam Insert	1290508
3	Ball Float	0081100
4	Lid Cage	3181600
5	Foam Sleeve	9058562
6	Screw Hex Head #10 x 3/4 Type AB	1503999
7	Collection Filter Bag	9066900
8	Tank Assembly	3151497
9	Dolly	3153600
10	Screw #8 x 1/2 Ph Pan Hd Type A	1501599
11	Caster	6774220

STANDARD ACCESSORIES

- 6' x 1 1/4" hose with extension nozzle
- 2 - 1 1/4" extension wands
- 10' squeegee insert
- crevice tool
- 10' wet/dry nozzle
- gulper nozzle

THREE-YEAR HOME USE WARRANTY

Your Shop-Vac® vacuum cleaner is warranted in normal household use, in accordance with the User Manual, against original defects in material and workmanship for a period of three years from date of purchase. Should this product be used for commercial or rental use, a 90 day limited warranty will apply. Shop-Vac Corporation warrants placing this vacuum cleaner in correct operating condition, by repair or parts replacement, during the warranty period, without charge. This warranty does not cover accessories. Use of non-recommended filters and/or accessories may void the manufacturer's warranty.

SC87523-26