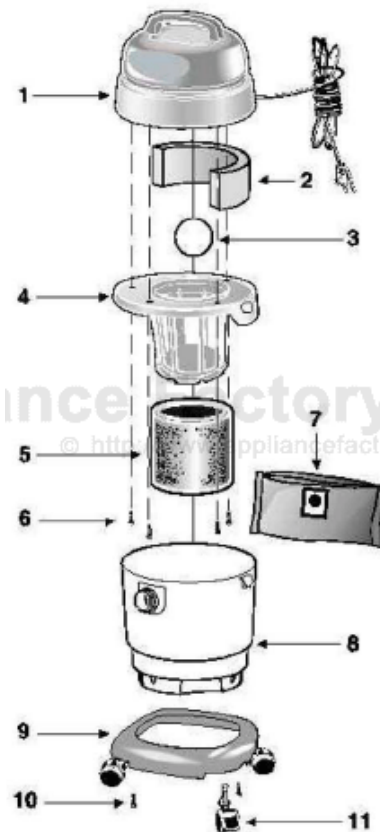


This Owner's Manual is provided and hosted by Appliance Factory Parts.



Shop Vac QAS60 Owner's Manual

[Shop genuine replacement parts for Shop Vac QAS60](#)



[Find Your Shop Vac Vacuum Cleaner Parts - Select From 487 Models](#)

----- Manual continues below -----

shop-vac®**Model - QAS60**

Catalog 9710100 (1.5 Gal.)

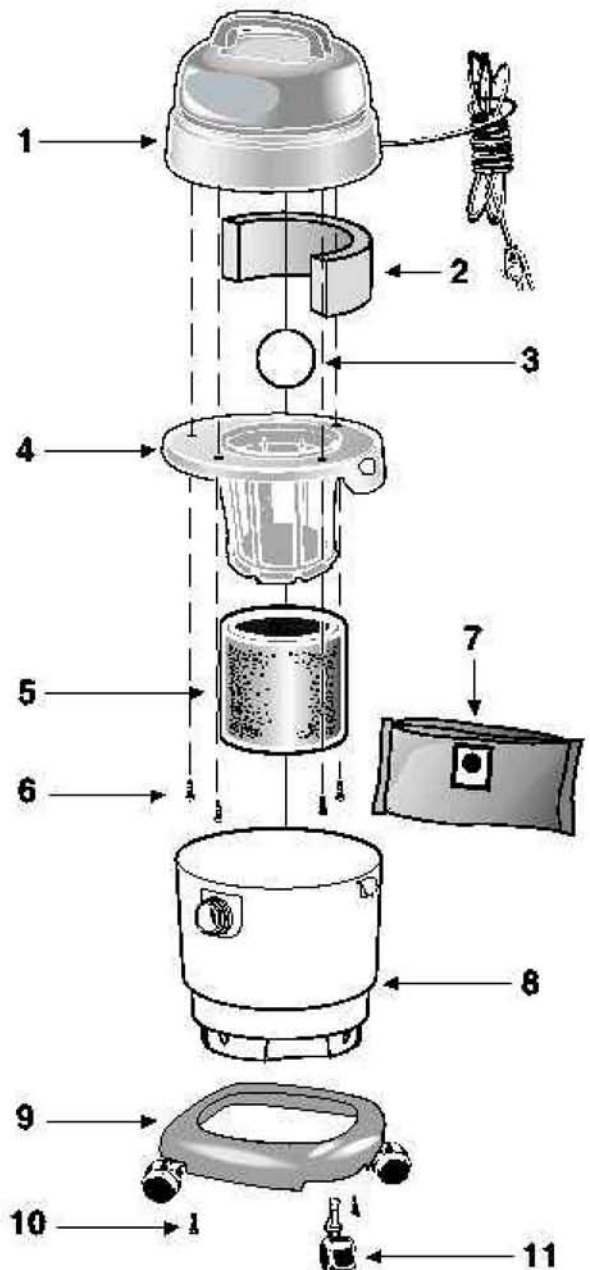
9710127 (1.5 Gal.)

9710131 (1.5 Gal.)

9710157 (1.5 Gal.)



Hose (not shown) SV-9023800



ITEM	DESCRIPTION	PART NO.
1	Power Unit Assembly	8110097
2	Foam Insert	1290506
3	Ball Float	0081100
4	Lid Cage	3181200
5	Foam Sleeve	9058562
6	Screw Hex Head #10 x 3/4 Type AB	1503999
7	Collection Filter Bag	9066700
8	Tank Assembly	3151397
9	Dolly	3153200
10	Screw #8 x 1/2 Ph Pan Hd Type A	1501599
11	Caster	6774210

STANDARD ACCESSORIES

- 6' x 1 1/4" hose with extension nozzle
- 2 - 1 1/4" extension wands
- 10" wet/dry nozzle
- 10" squeegee insert
- crevice tool
- gulper nozzle

THREE-YEAR HOME USE WARRANTY

Your Shop-Vac® vacuum cleaner is warranted in normal household use, in accordance with the User Manual, against original defects in material and workmanship for a period of three years from date of purchase. Should this product be used for commercial or rental use, a 90 day limited warranty will apply. Shop-Vac Corporation warrants placing this vacuum cleaner in correct operating condition, by repair or parts replacement, during the warranty period, without charge. This warranty does not cover accessories. Use of non-recommended filters and/or accessories may void the manufacturer's warranty.

SC87519-58