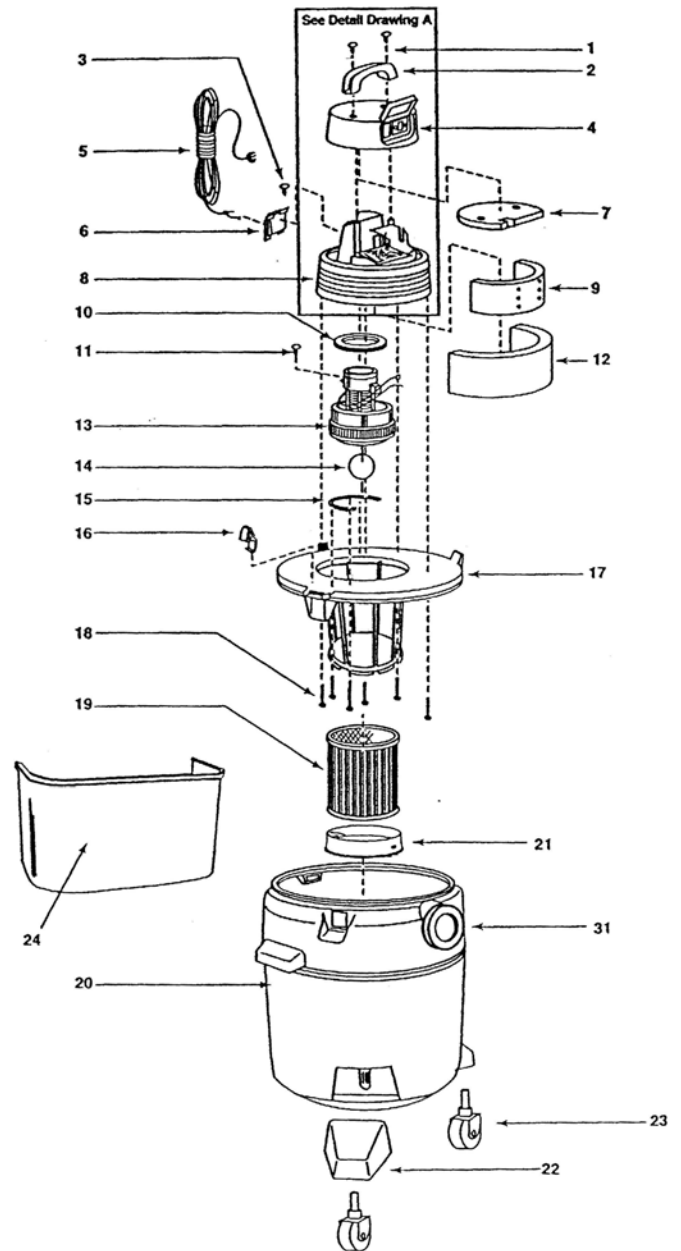


shop.vac® Model QL2250D

Catalog 925-64



| ITEM | DESCRIPTION | PART NO. |
|------|--|------------|
| 1 | Screw truss head 1/4 x 3/4 type AB | 15146-99-6 |
| 2 | Top handle | 24105-00-9 |
| 3 | Screw #8 x 1/2 Ph pan hd type AB | 15007-99-0 |
| 4 | Motor housing cover | 24106-02-3 |
| 5 | Cord | 25800-01-2 |
| 6 | Cord retainer | 24111-07-2 |
| 7 | Foam insert cover | 24125-00-7 |
| 8 | Motor housing | 24107-65-8 |
| 9 | Inner housing acoustical foam | 12904-00-9 |
| 10 | Upper motor gasket | 20720-00-9 |
| 11 | #10-24 x 1/2" lg. Ground screw | 17008-99-6 |
| 12 | Outer housing, acoustical foam | 12905-00-6 |
| 13 | †Motor w/ TCO | 18165-97-7 |
| 14 | Ball float | 00811-00-0 |
| 15 | Strip gasket | 20711-00-8 |
| 16 | Latch | 85501-01-3 |
| 17 | Lid cage assembly | 89657-14-2 |
| 18 | #10 x 3/4 screw | 15039-99-3 |
| 19 | Cartridge filter | 90304-62-9 |
| 20 | Tank assembly | 10481-97-6 |
| 21 | Filter retainer | 30080-00-6 |
| 22 | Caster foot | 49003-96-5 |
| 23 | Caster | 42017-96-2 |
| 24 | Accessory caddy | 85640-00-1 |
| 25 | Double pole rocker switch | 61957-96-5 |
| 26 | Cover w/ labels | 61958-96-3 |
| 27 | Circuit breaker | 12100-28-5 |
| 28 | Receptacle | 12100-27-7 |
| 29 | Circuit board assembly | 61956-97-5 |
| 30 | Cover w/ items (4,7,25,26,27,28, & 29) | 24106-51-0 |
| 31 | Drain Cap | 10620-20-1 |

Detail
Drawing A

