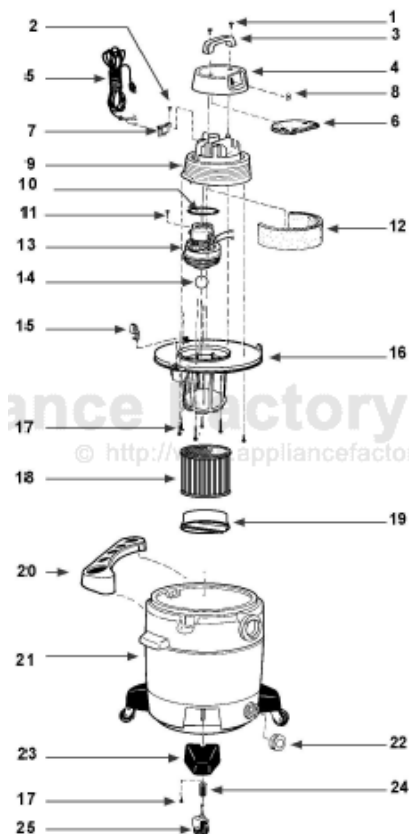


This Owner's Manual is provided and hosted by [Appliance Factory Parts](http://www.appliancefactoryparts.com).



Shop Vac QM45A Owner's Manual

[Shop genuine replacement parts for Shop Vac QM45A](#)



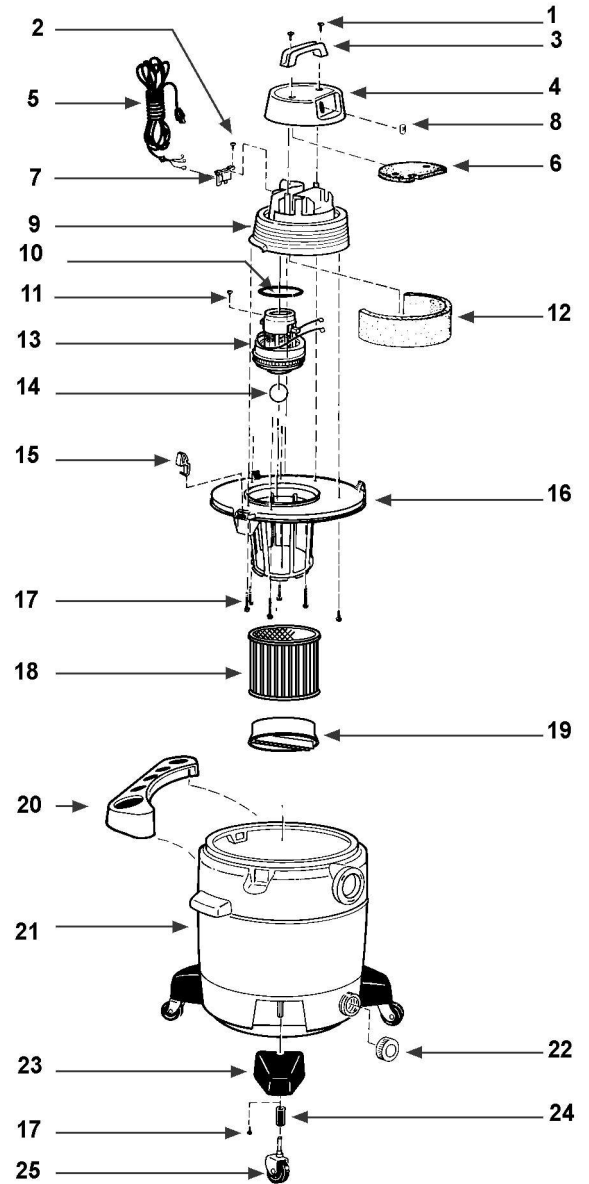
[Find Your Shop Vac Vacuum Cleaner Parts - Select From 487 Models](#)

----- Manual continues below -----

shop-vac®

Model QM45A

Catalog 925-61-11 (12 Gal.)
925-61-58 (12 Gal.)



ITEM	DESCRIPTION	PART NO.
1	Screws Truss Head 1/4 x 3/4 Type AB	15146-99-6
2	Screw #8 x 1/2 Ph Pan Hd Type AB	15007-99-0
3	Handle	24100-00-0
4	Motor Housing Cover	24103-01-2
5	Cord	25800-24-4
6	Foam Insert Cover	24122-00-4
7	Cord Retainer	24111-15-5
8	Switch	82318-00-7
9	Motor Housing	24104-45-7
10	Gasket - Upper Motor	20720-00-9
11	Ground Screw #10-24 x 1/2 Type F	17008-99-6
12	Foam Motor Housing - Outer	12905-05-5
13	Motor	18173-97-1
14	Ball Float	00811-00-0
15	Lid Latch	85501-01-3
16	Lid Cage & Latch Assembly	89670-21-0
17	Screw Hex Head #10 x 3/4 Type AB	15039-99-3
18	Cartridge Filter	90304-62-7
19	Filter Retainer	30080-00-6
20	Accessory/Tool Holder	84113-00-0
21	Tank Assembly	84933-97-4
22	Drain Cap	10620-21-9
23	Caster Foot	85650-00-0
24	Caster Retainer	85655-00-9
25	Casters (Pkg. of 4)	42042-96-0

Standard Accessories

- 7' x 1 1/4" hose with extension nozzle
- 2 - 1 1/4" extension wands
- 10" wet/dry nozzle
- 10" squeegee insert

THREE-YEAR HOME USE WARRANTY

Your Shop-Vac® vacuum cleaner is warranted in normal household use, in accordance with the User Manual, against original defects in material and workmanship for a period of three years from date of purchase. Should this product be used for commercial or rental use, a 90 day limited warranty will apply. Shop-Vac Corporation warrants placing this vacuum cleaner in correct operating condition, by repair or parts replacement, during the warranty period, without charge. This warranty does not cover accessories. Use of non-recommended filters and/or accessories may void the manufacturer's warranty.