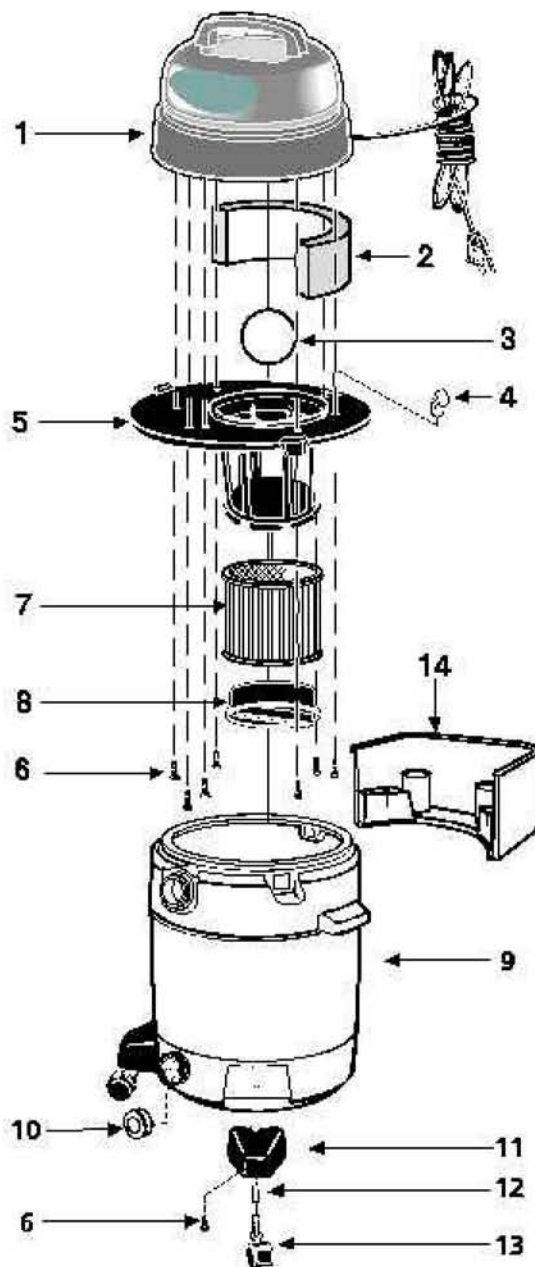


**shop-vac®****Model - QPL30****Catalog 9253000 (8 Gal.)****9253500 (10 Gal.)**

ITEM	DESCRIPTION	PART NO.
1	Power Unit Assembly	8110597
2	Foam Insert	1290508
3	Ball Float	0081100
4	Lid Latch	8550101
5	Lid Cage & Latch Assembly	8967051
6	Screw Hex Head #10 x 3/4 Type AB	1503999
7	Cartridge Filter	9030462
8	Filter Retainer	3008000
9	Tank Assembly (8 gal.) (10 gal.)	8455697 8454097
10	Drain Cap	1062020
11	Castor Foot	8565000
12	Castor Retainer	8565500
13	Castor	6774200
14	Accessory Caddy	8564000

**STANDARD ACCESSORIES**

- 8' x 1 1/4" hose with locking end
- 2 - 1 1/4" extension wands
- 10" wet/dry nozzle
- 10" squeegee insert
- 1 1/4" gulper nozzle
- 1 1/4" crevice tool
- 1 1/4" round brush

**FOUR-YEAR HOME USE WARRANTY**

Your Shop-Vac® vacuum cleaner is warranted in normal household use, in accordance with the User Manual, against original defects in material and workmanship for a period of four years from date of purchase. Should this product be used for commercial or rental use, a 90 day limited warranty will apply. Shop-Vac Corporation warrants placing this vacuum cleaner in correct operating condition, by repair or parts replacement, during the warranty period, without charge. This warranty does not cover accessories. Use of non-recommended filters and/or accessories may void the manufacturer's warranty.

SC87519-77