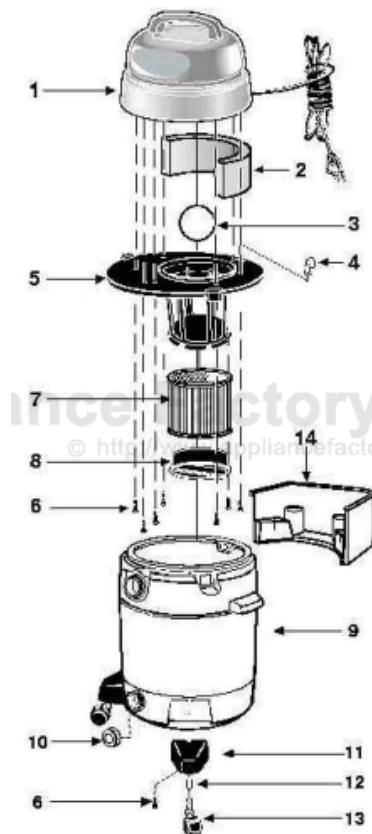


This Owner's Manual is provided and hosted by [Appliance Factory Parts](http://ApplianceFactoryParts.com).



# Shop Vac QPL45 Owner's Manual

[Shop genuine replacement parts for Shop Vac QPL45](#)

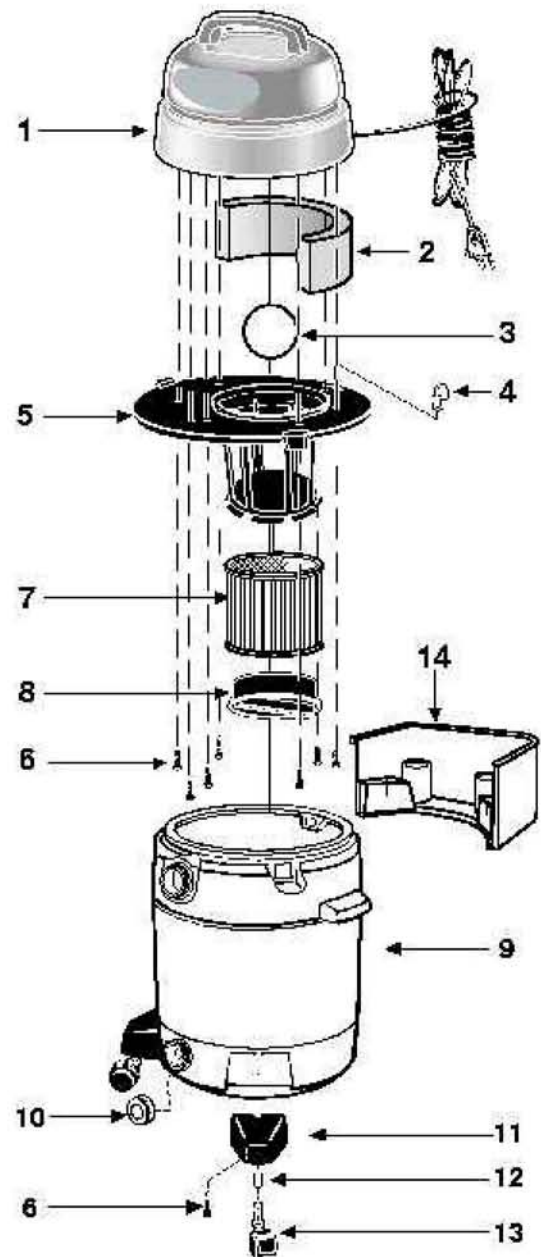


[Find Your Shop Vac Vacuum Cleaner Parts - Select From 487 Models](#)

----- Manual continues below -----

**shop-vac**Catalog 9253200  
(14 Gal.)

# Model - QPL45



ITEM	DESCRIPTION	PART NO.
1	Power Unit Assembly	8110697
2	Foam Insert	1290508
3	Ball Float	0081100
4	Lid Latch	8550101
5	Lid Cage & Latch Assembly	8988724
6	Screw Hex Head #10 x 3/4 Type AB	1503999
7	Cartridge Filter	9030462
8	Filter Retainer	3008000
9	Tank Assembly	8499997
10	Drain Cap	1062020
11	Caster Foot	8565101
12	Caster Retainer	8565500
13	Caster	6774200
14	Accessory Caddy	8564200

**STANDARD ACCESSORIES**

- 8' x 1 1/4" hose with locking end
- 2- 1 1/4" extension wands
- 10" wet/dry nozzle
- 10" squeegee insert
- 1 1/4" gulper nozzle
- 1 1/4" crevice tool
- 1 1/4" round brush

**FOUR-YEAR HOME USE WARRANTY**

Your Shop-Vac® vacuum cleaner is warranted in normal household use, in accordance with the User Manual, against original defects in material and workmanship for a period of four years from date of purchase. Should this product be used for commercial or rental use, a 90 day limited warranty will apply. Shop-Vac Corporation warrants placing this vacuum cleaner in correct operating condition, by repair or parts replacement, during the warranty period, without charge. This warranty does not cover accessories. Use of non-recommended filters and/or accessories may void the manufacturer's warranty.

Rev. A  
SC87519-79