

This Owner's Manual is provided and hosted by Appliance Factory Parts.



Shop Vac QPL60 Owner's Manual

[Shop genuine replacement parts for Shop Vac QPL60](#)

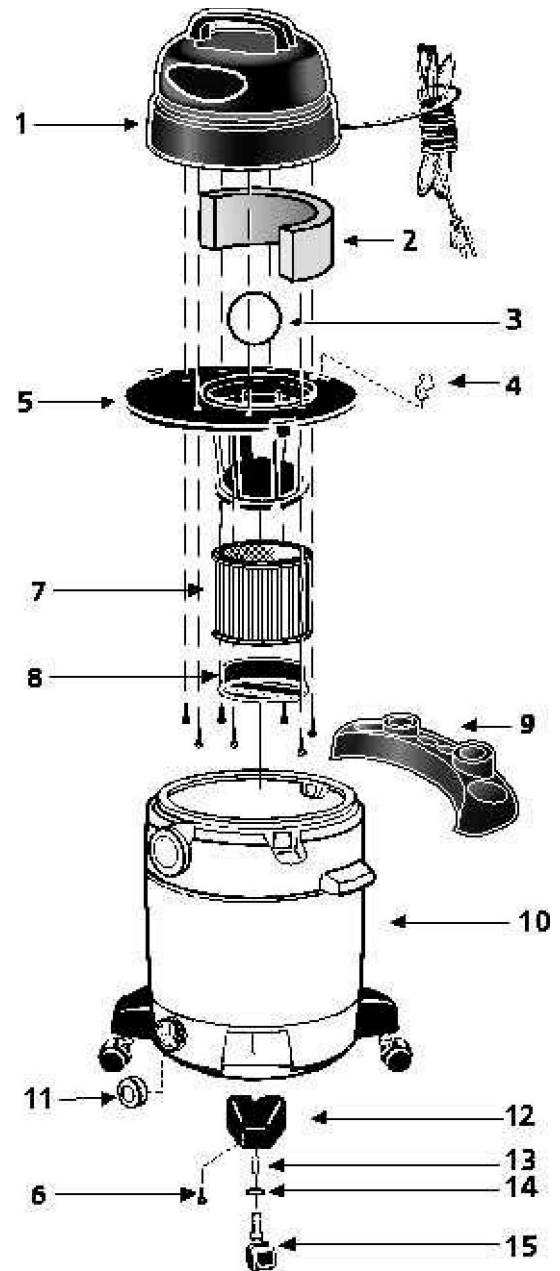


[Find Your Shop Vac Vacuum Cleaner Parts - Select From 487 Models](#)

----- Manual continues below -----

shop-vac® Model - QPL60

Catalog 9256800 (16 Gal.)
9256900 (20 Gal.)
9257000 (25 Gal.)



ITEM	DESCRIPTION	PART NO.
1	Pw s r Unit Assembly	£110297
2	Foam Insert	1290502
3	Ball Float	0031100
n	Lid Latih	8530101
5	Lid Cage & Later; Assembly	£9££724
6	Screiv He* Head 410 * 3r4Tyr>e AR	1503999
7	Cartridge Finer	9030462
£	Fiitsr teainer	30[£000
9	AoessoryTool Holder	£411300
10	Tan I: Assembly (16 gal.) (20 gal 1 25 gal)	£493497 £493597 £493697
11	Drain Gap	1062021
12	Caster Foot (16 gal.) (20 & 25 gal.)	£565101 £565100
13	Caster Retainer (16 gal.) (20 ft 25 gal)	£565500 £565600
14	Flatwasher	0704399
15	Caster (16 gai.) (20 & 25 gal)	67742CO 6773600

STANDARD ACCESSORIES

- 8' x 2 1/2" hose with curved end
- 2 - 2 1/2" extension wands
- 6" utility nozzle
- 14" wet/dry nozzle
- 14" squeegee insert
- crevice tool

THREE-YEAR HOME USE WARRANTY

Your Shop-Vac® vacuum cleaner is warranted in normal household use, in accordance with the User Manual, against original defects in material and workmanship for a period of three years from date of purchase. Should this product be used for commercial or rental use, a 90 day limited warranty will apply. Shop-Vac Corporation warrants placing this vacuum cleaner in correct operating condition, by repair or parts replacement, during the warranty period, without charge. This warranty does not cover accessories. Use of non-recommended filters and/or accessories may void the manufacturer's warranty.

SC87519-67