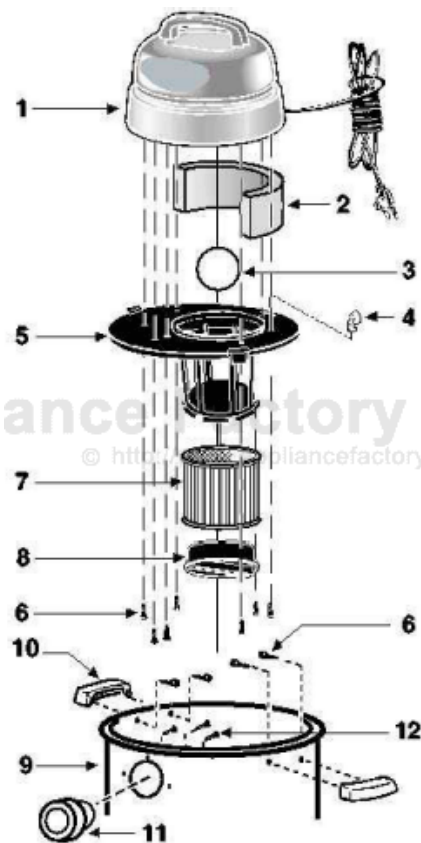


This Owner's Manual is provided and hosted by [Appliance Factory Parts](http://Appliance Factory Parts).



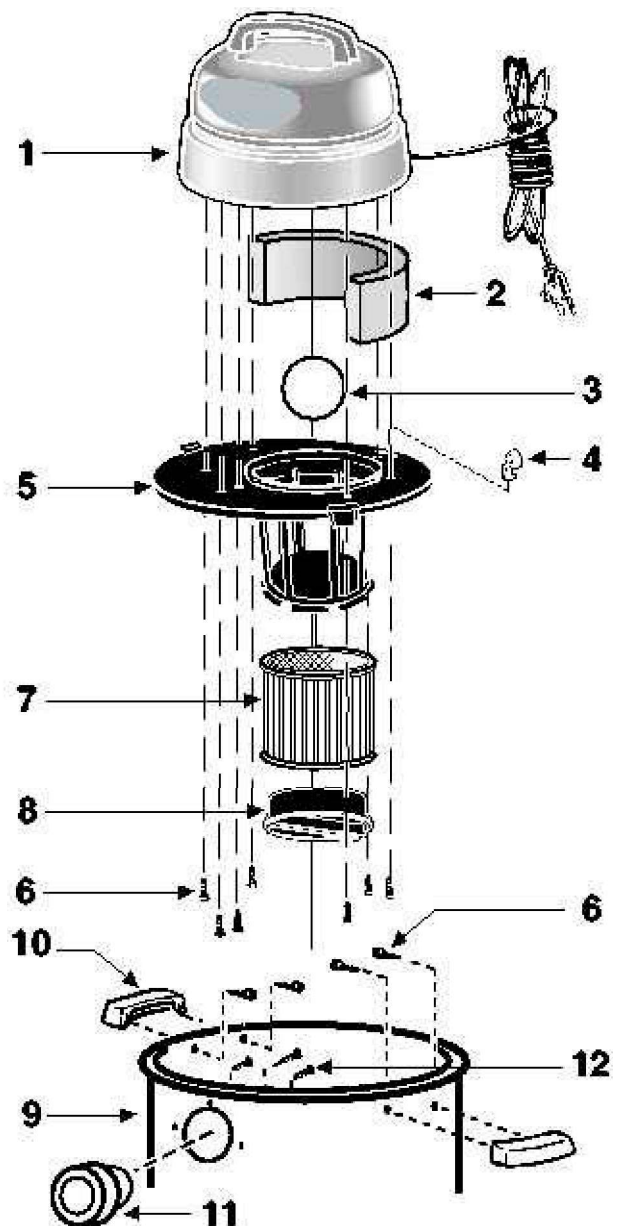
# Shop Vac QPL625 Owner's Manual

[Shop genuine replacement parts for Shop Vac QPL625](#)



[Find Your Shop Vac Vacuum Cleaner Parts - Select From 487 Models](#)

----- Manual continues below -----

**shop-vac®****Model - QPL625**Catalog 9254558  
(10 Gal. S/S)

ITEM	DESCRIPTION	PART NO.
1	Power Unit Assembly	8111297
2	Foam Insert	1290508
3	Ball Float	0081100
4	Lid Latch	8550101
5	Lid Cage & Latch Assembly	89S8724
6	Screw Hex Head #10 x 3/4 Type AB	1503999
7	Cartridge Filter	90304S2
8	Filter Retainer	3008000
9	Tank Assembly (Includes inlet)	5108197
10	Handle Pkg. (Includes 2 Handles and 4 Mounting Screws)	9355195
11	Inlet	2172001
12	Hex Head Screw #10 x 5/8" Type AB	15S5499

**STANDARD ACCESSORIES**

- 6' x 2 1/2" hose
- 2 - 2 1/2" extension wands
- 6" utility nozzle
- 14" floor nozzle
- 14" squeegee insert
- crevice tool

**THREE-YEAR HOME USE WARRANTY**

Your Shop-Vac® vacuum cleaner is warranted in normal household use, in accordance with the User Manual, against original defects in material and workmanship for a period of three years from date of purchase. Should this product be used for commercial or rental use, a 90 day limited warranty will apply. Shop-Vac Corporation warrants placing this vacuum cleaner in correct operating condition, by repair or parts replacement, during the warranty period, without charge. This warranty does not cover accessories. Use of non-recommended filters and/or accessories may void the manufacturer's warranty.

SC87519-68