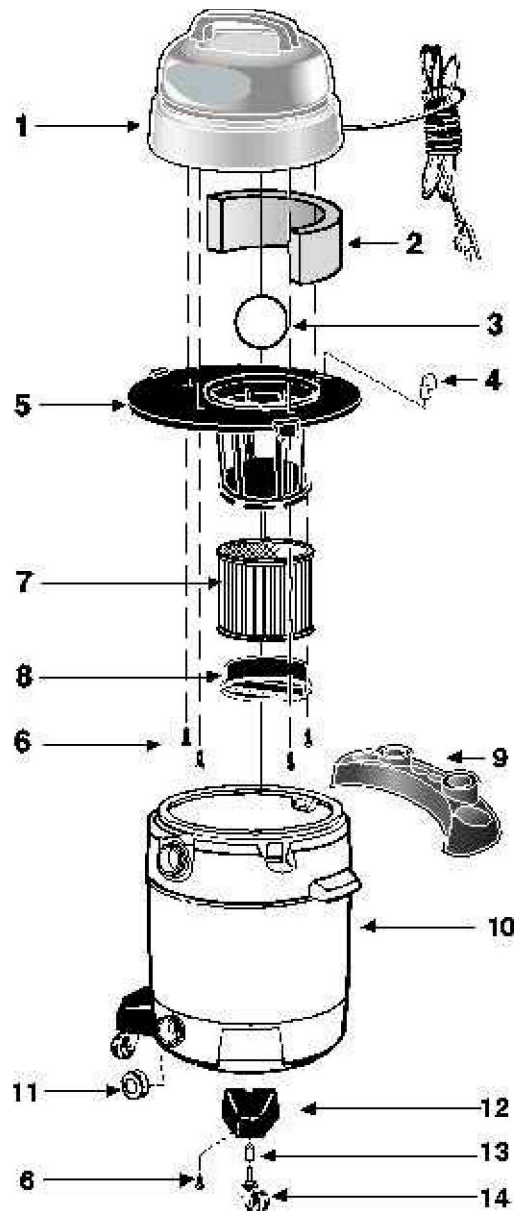


shop-vac®**Model - QPM45**Catalog 9256111
(12 Gal.)

ITEM	DESCRIPTION	PART NO
1	Power Unit Assembly	\$110997
2	Foam Insert	1290507
3	Ball Float	WMHW
4	Lid Latch	3550101
5	Lid Cage & Latch Assembly	3967051
6	Screw Hex Head #10 x 3/4 Type AB	15C3999
7	Cartridge Filter	W30462
8	Filter Retainer	3C08W0
9	Accessory/Tool Holder	\$411300
10	Tank Assembly	3*93397
11	Drain Cap	1052021
12	Caster Foot	3555000
13	Caster Retainer	8565500
14	Caster	6771200

STANDARD ACCESSORIES

- 7' x 1 1/4" hose with extension nozzle
- 2 - 1 1/4" extension wands
- 10" wet/dry nozzle
- 10" squeegee insert

THREE-YEAR HOME USE WARRANTY

Your Shop-Vac® vacuum cleaner is warranted in normal household use, in accordance with the User Manual, against original defects in material and workmanship for a period of three years from date of purchase. Should this product be used for commercial or rental use, a 90 day limited warranty will apply. Shop-Vac Corporation warrants placing this vacuum cleaner in correct operating condition, by repair or parts replacement, during the warranty period, without charge. This warranty does not cover accessories. Use of non-recommended filters and/or accessories may void the manufacturer's warranty.