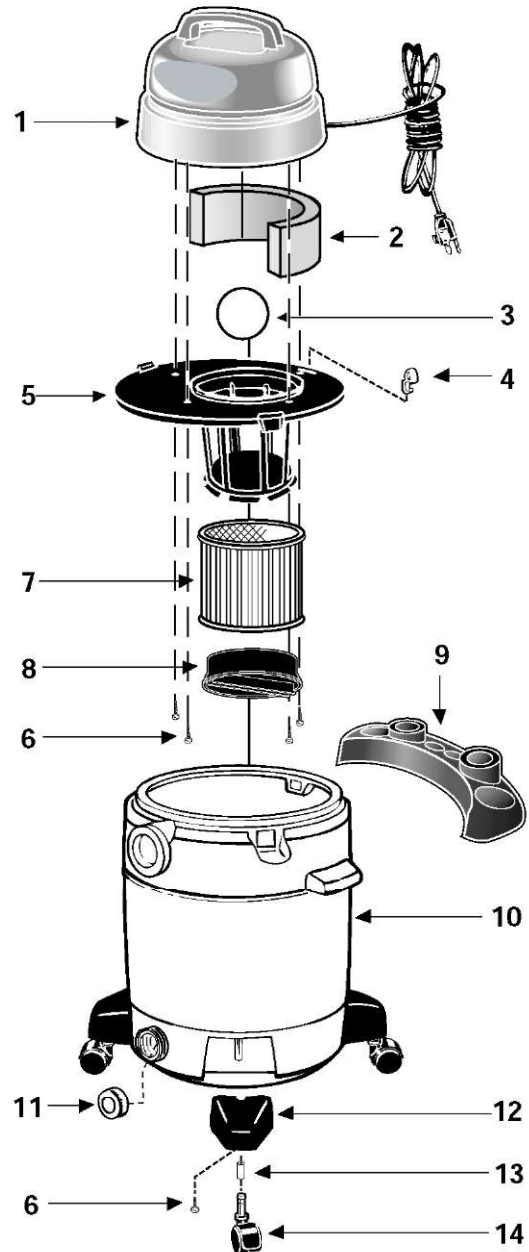


shop·vac®

Model - QPM45A

Catalog 9255800 (10 Gal.)**9255900 (12 Gal.)**

ITEM	DESCRIPTION	PART NO.
1	Power Unit Assembly	8110897
2	Foam Insert	1290507
3	Ball Float	0081100
4	Lid Latch	8550101
5	Lid Cage & Latch Assembly	8965724
6	Screw Hex Head #10 x 3/4 Type AB	1503999
7	Cartridge Filter	9030462
8	Filter Retainer	3008000
9	Accessory / Tool Holder (10 gal.) (12 gal.)	8411100 8411200
10	Tank Assembly (10 gal.) (12 gal.)	8493297 8493397
11	Drain Cap	1062021
12	Caster Foot	8565000
13	Caster Retainer	8565500
14	Caster	6774200

STANDARD ACCESSORIES

- 8' x 1¹/₄" hose with curved end
- 10" wet/dry nozzle
- 2 - 1¹/₄" extension wands
- 10" squeegee insert

THREE-YEAR HOME USE WARRANTY

Your Shop-Vac® vacuum cleaner is warranted in normal household use, in accordance with the User Manual, against original defects in material and workmanship for a period of three years from date of purchase. Should this product be used for commercial or rental use, a 90 day limited warranty will apply. Shop-Vac Corporation warrants placing this vacuum cleaner in correct operating condition, by repair or parts replacement, during the warranty period, without charge. This warranty does not cover accessories. Use of non-recommended filters and/or accessories may void the manufacturer's warranty.