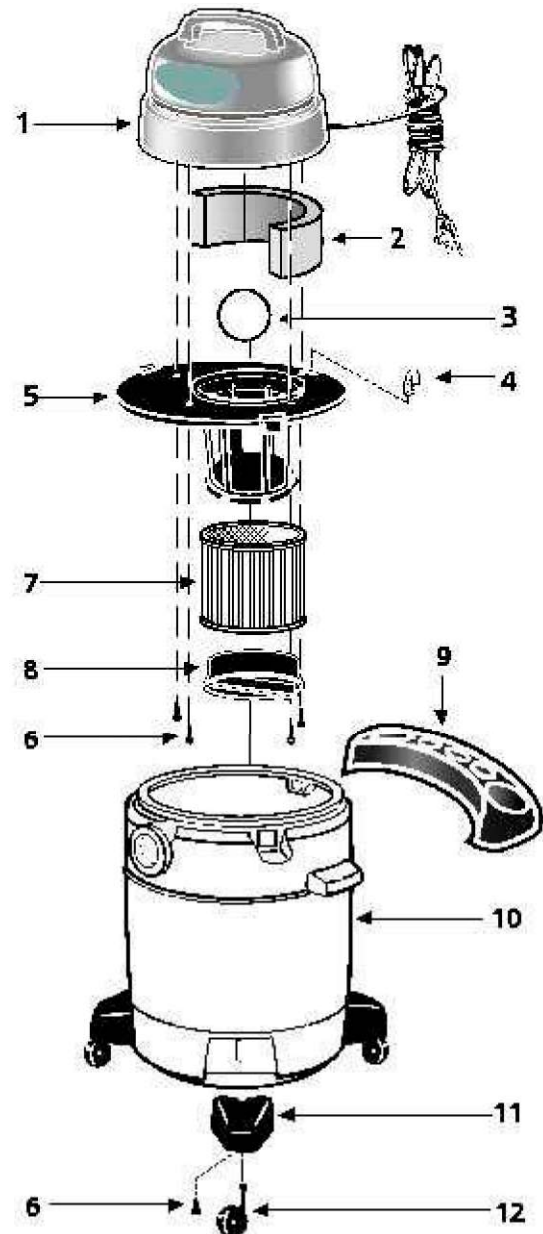


shop-vac®

Model - QPS225

Catalog 9257111
(6 Gal.)

ITEM	DESCRIPTION	PART NO.
1	Power Unit Assembly	S11C797
2	Foam Insert	1290506
3	Ball Float	0031100
4	Lid Latch	3550101
5	Lid Cage & Latch Assembly	3921045
6	Screw Hex Head #10 x 3/4 Type AB	1503999
7	Cartridge Filter	9030462
8	Filter Retainer	3003000
9	Accessory / Tool Holder	3411000
10	Tank Assembly (6 gal.)	3433197
11	Caster Foot	3531500
12	Caster	6773 5 96

STANDARD ACCESSORIES

- 6' x 1 1/4" hose with extension nozzle
- 2 - 1 1/4" extension wands
- 10' wet/dry nozzle
- 10' squeegee insert

THREE-YEAR HOME USE WARRANTY

Your Shop-Vac® vacuum cleaner is warranted in normal household use, in accordance with the User Manual, against original defects in material and workmanship for a period of three years from date of purchase. Should this product be used for commercial or rental use, a 90 day limited warranty will apply. Shop-Vac Corporation warrants placing this vacuum cleaner in correct operating condition, by repair or parts replacement, during the warranty period, without charge. This warranty does not cover accessories. Use of non-recommended filters and/or accessories may void the manufacturer's warranty.