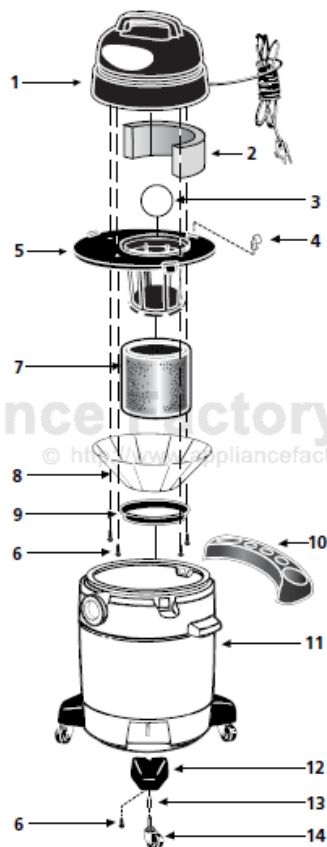


This Owner's Manual is provided and hosted by Appliance Factory Parts.



Shop Vac QPS25 Owner's Manual

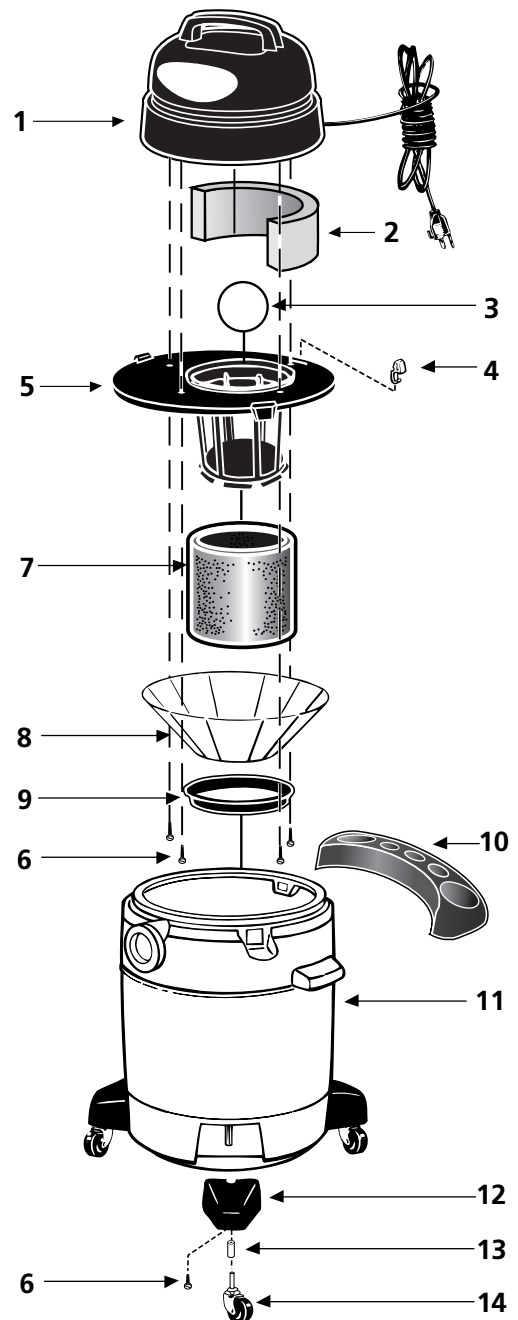
[Shop genuine replacement parts for Shop Vac QPS25](#)



[Find Your Shop Vac Vacuum Cleaner Parts - Select From 487 Models](#)

----- Manual continues below -----

Model QPS25



ITEM	DESCRIPTION	PART NO.
1	Power Unit Assembly	8110797
2	Foam Insert	1290506
3	Ball Float	0081100
4	Lid Latch	8550101
5	Lid Cage & Latch Assembly	8965724
6	Screw Hex Head #10 x 3/4 Type AB	1503999
7	Foam Sleeve	9058562
8	Reusable Dry Filter	9010762
9	Filter Ring	3006500
10	Accessory/Tool Holder	8411100
11	Tank Assembly (8 Gal.)	8493197
12	Caster Foot	8565000
13	Caster Retainer	8565500
14	Caster	6771200

STANDARD ACCESSORIES

- 6' x 1¹/₄" hose with extension nozzle
- 2 - 1¹/₄" extension wands
- 10" wet/dry nozzle
- 10" squeegee insert

THREE-YEAR HOME USE WARRANTY

Your Shop-Vac® vacuum cleaner is warranted in normal household use, in accordance with the User Manual, against original defects in material and workmanship for a period of three years from date of purchase. Should this product be used for commercial or rental use, a 90 day limited warranty will apply. Shop-Vac Corporation warrants placing this vacuum cleaner in correct operating condition, by repair or parts replacement, during the warranty period, without charge. This warranty does not cover accessories. Use of non-recommended filters and/or accessories may void the manufacturer's warranty.