

This Owner's Manual is provided and hosted by [Appliance Factory Parts](http://Appliance Factory Parts).



# Shop Vac QPS40 Owner's Manual

[Shop genuine replacement parts for Shop Vac QPS40](#)



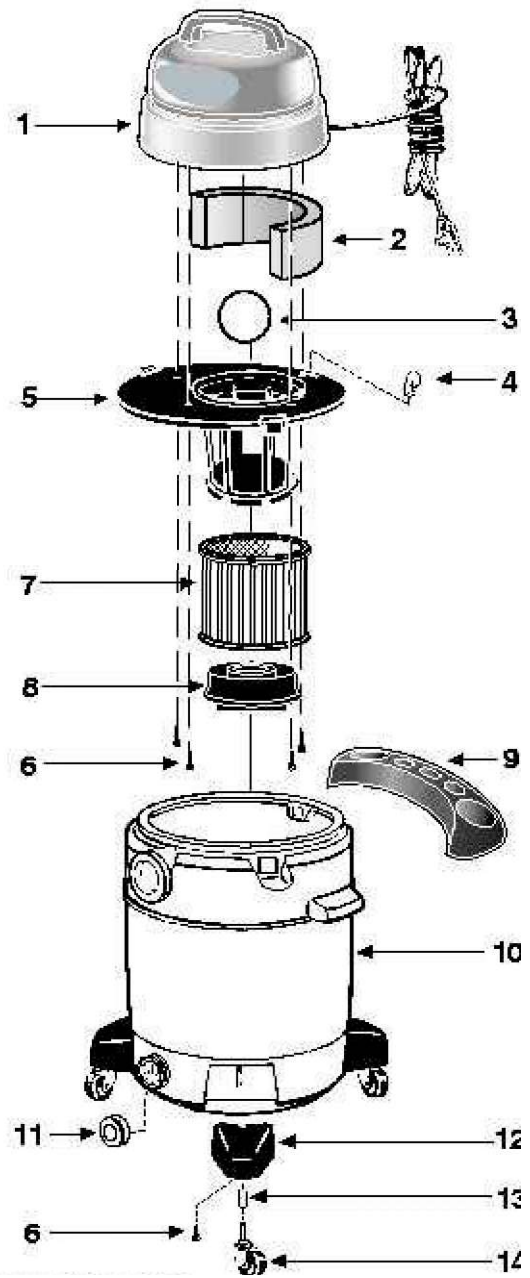
[Find Your Shop Vac Vacuum Cleaner Parts - Select From 487 Models](#)

----- Manual continues below -----

shop-vac<sup>®</sup>

Catalog 9255411  
(10 Gal.)

# Model - QPS40



ITEM	DESCRIPTION	PARTNO.
1	Rjwer Unil Assembly	9110797
2	Foam insert	1290505
3	Ball Ho at	0051100
4	Lid Latch	0550101
5	Lid Cage Si Latch Assembly	0965724
6	3:rew Hex Head #1G x 3/4" Type AB	1503999
7	Cartridge Filter (Includes Hem	9030432
0	Filter net et airier	3000000
3	Accessory/Tooi Holder	0411100
10	Tank Assembly (10 Gal.)	0495497
11	Drain Cap	1 0 6 2 021
12	Casier Foot	0505000
13	Caster Ftetainer	0565500
14	Caster	6771200

#### STANDARD ACCESSORIES

- 8' x 1 1/4" hose with extension nozzle
- 2 - 1 1/4" extension wands
- 10" wet/dry nozzle
- 10" squeegee insert
- gulper nozzle
- crevice tool

#### THREE-YEAR HOME USE WARRANTY

Your Shop-Vac<sup>®</sup> vacuum cleaner is warranted in normal household use, in accordance with the User Manual, against original defects in material and workmanship for a period of three years from date of purchase. Should this product be used for commercial or rental use, a 90 day limited warranty will apply. Shop-Vac Corporation warrants placing this vacuum cleaner in correct operating condition, by repair or parts replacement, during the warranty period, without charge. This warranty does not cover accessories. Use of non-recommended filters and/or accessories may void the manufacturer's warranty.

SC87527-35